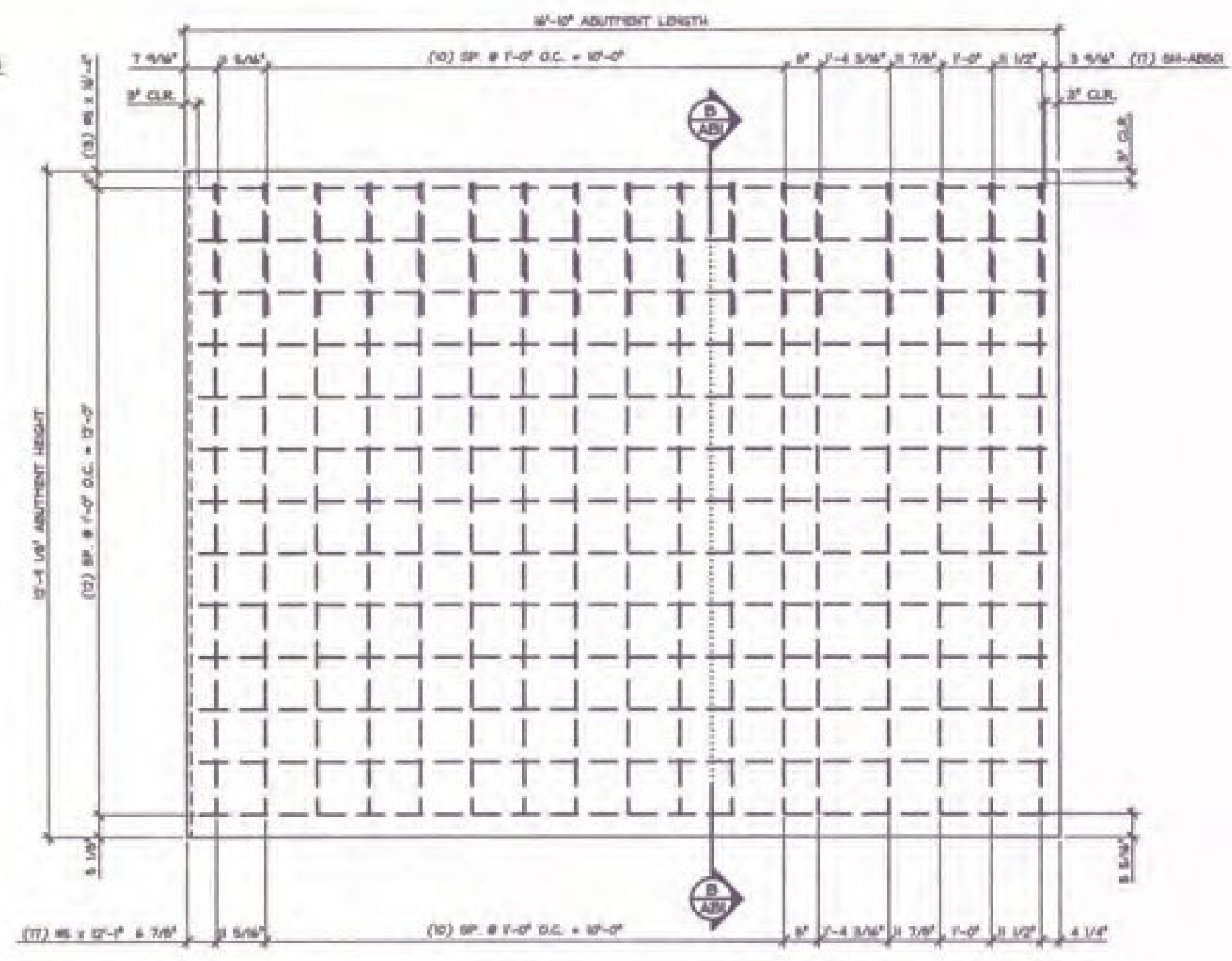
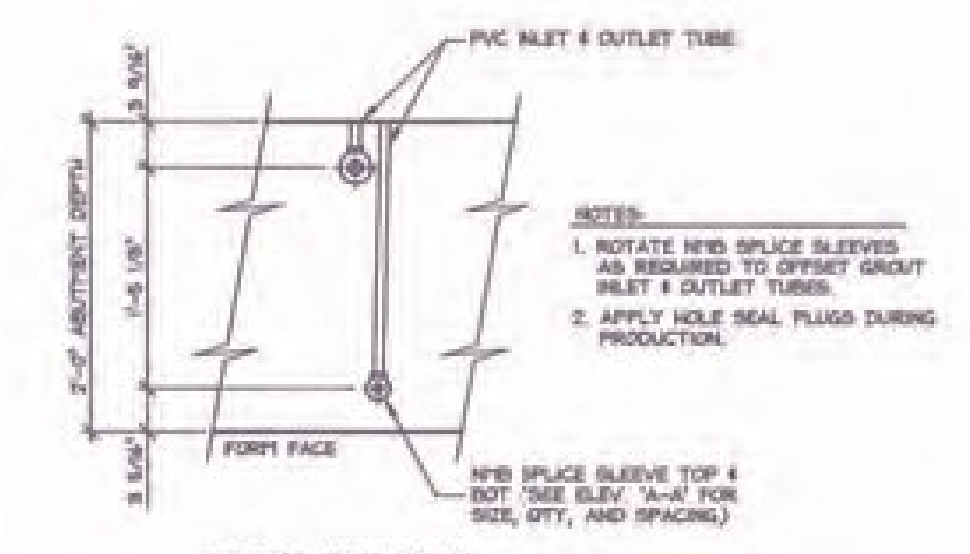


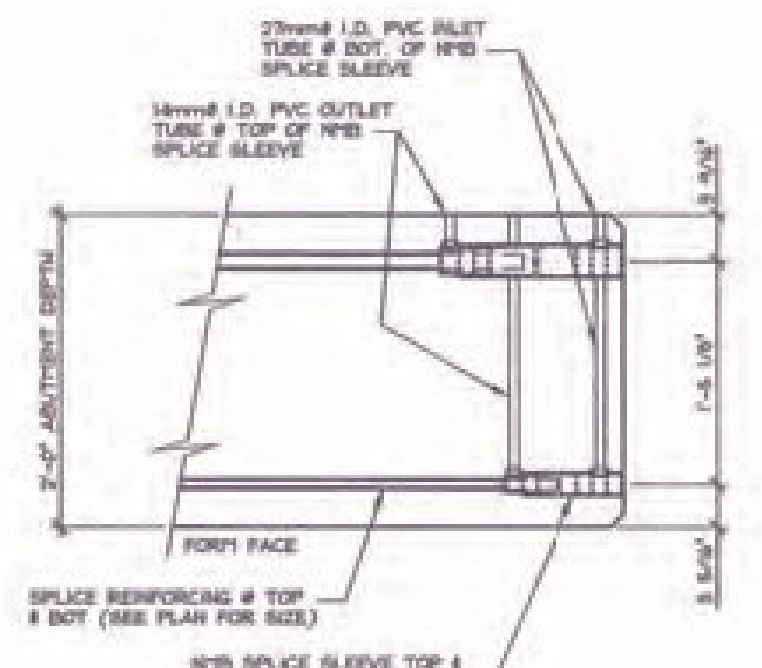
1 DIMENSIONAL PLAN VIEW IN FORM
1/2" = 1'-0"



2 REINFORCING PLAN VIEW IN FORM (BOT. MAT)
1/2" = 1'-0"

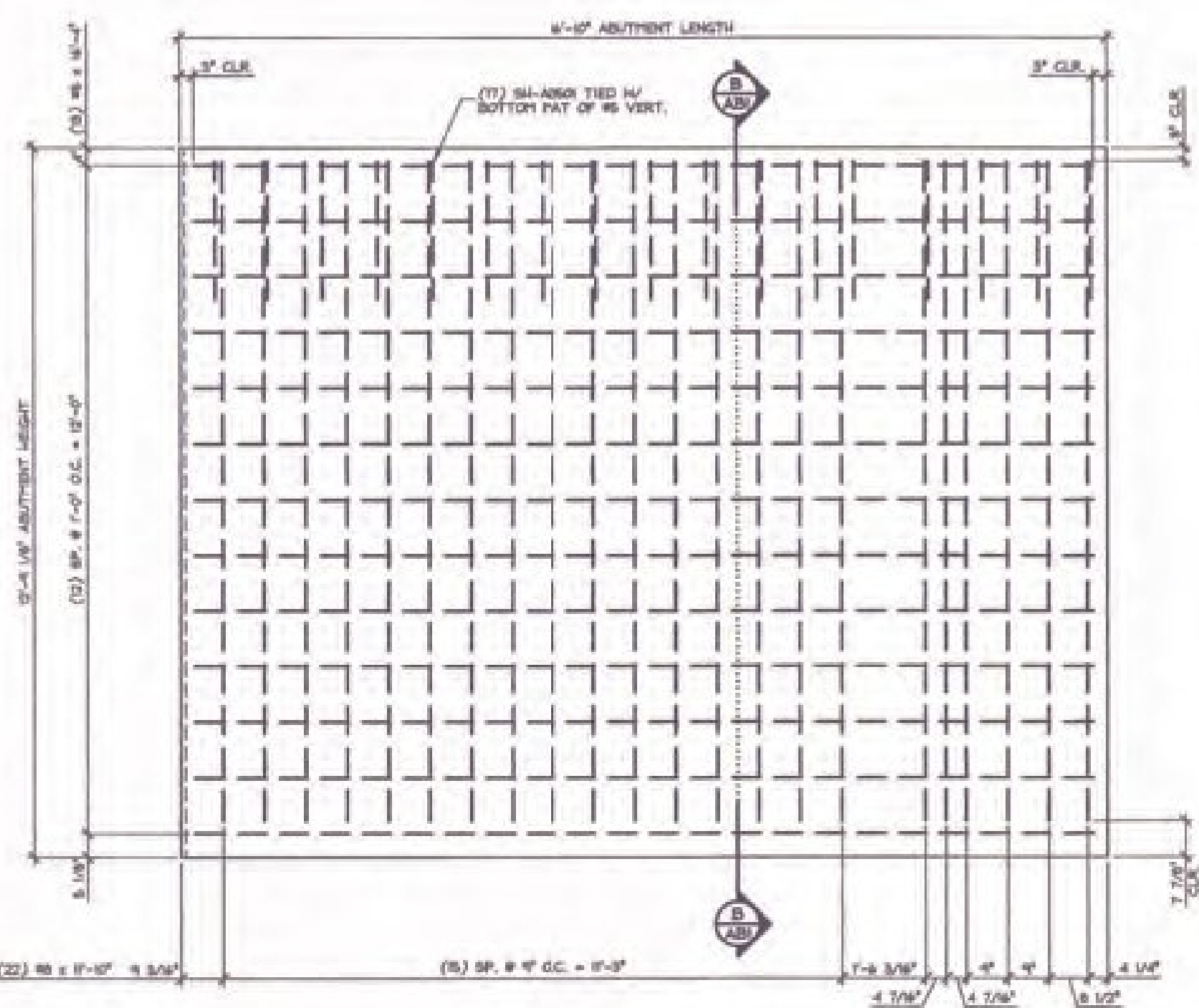


ELEVATION VIEW

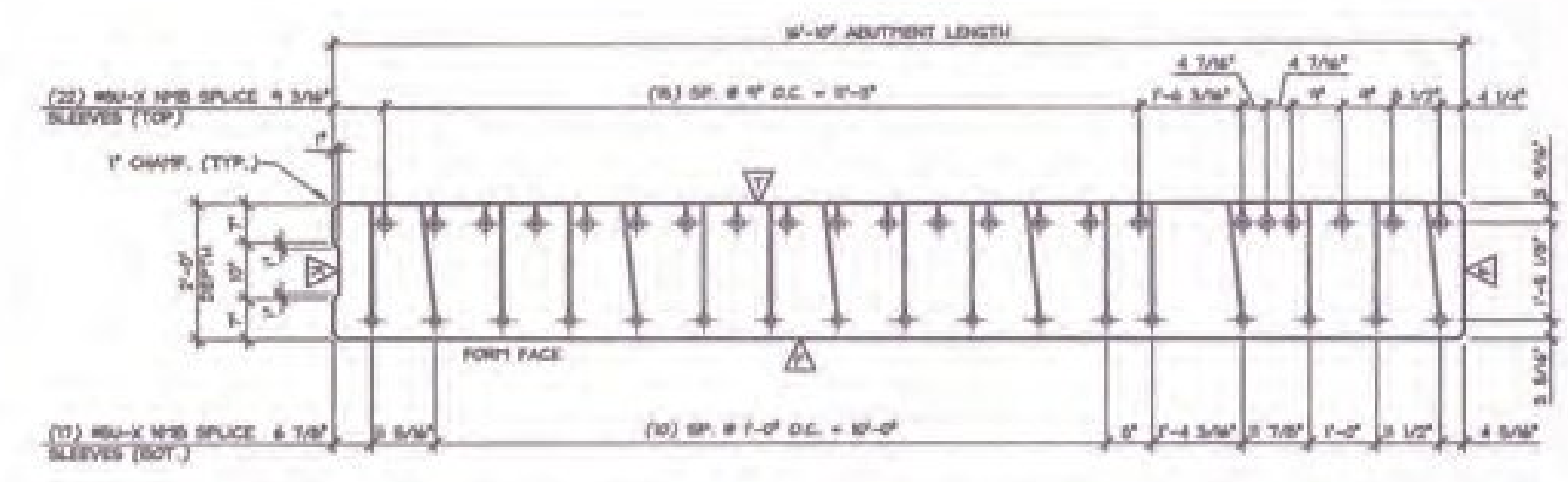


SECTION VIEW

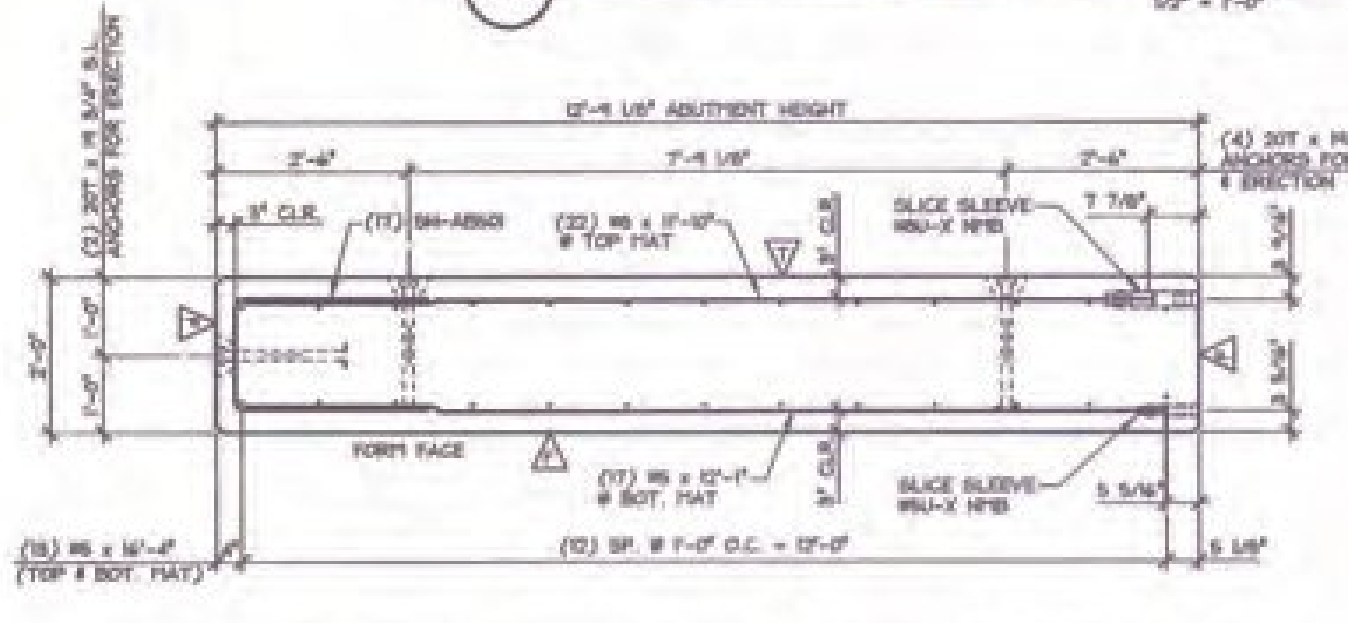
3 NMB SPLICE SLEEVE DETAILS
1/2" = 1'-0"



4 REINFORCING PLAN VIEW IN FORM (TOP MAT)
1/2" = 1'-0"



5 DIMENSIONAL ELEVATION A-A
1/2" = 1'-0"



6 DIMENSIONAL REINFORCING SECTION B-B
1/2" = 1'-0"

SHOP DRAWING REVIEW

Checked as indicated by the qualified precast/prestress engineer and approved, but not for construction to the extent indicated by this review, and subject to further clarification and requirements contained in the construction contract documents.

Precast Precast and anchors Cast-in-place concrete

Comments and corrections to be made on the shop drawings clearly and legibly for the use of the contractor. This review is not a substitute for the contractor's responsibility to verify the accuracy of the contract documents. Comments and corrections to the contract documents shall be made in writing and shall be approved by the engineer. The contractor shall be responsible for obtaining and providing all necessary permits, licenses, and approvals for the work. The contractor shall be responsible for obtaining and providing all necessary permits, licenses, and approvals for the work. The contractor shall be responsible for obtaining and providing all necessary permits, licenses, and approvals for the work.

VHB Vermont Highway Builders Association
 Job Number: 37438
 Reviewed by: *[Signature]*
 Date: 1-31-2014

Submitted
 JAN 27 2014
 A.P. Carrara & Sons, Inc.
 Middlebury, VT 05751

3000 PSI @ RELEASE
 3000 PSI @ 28 DAYS

PRE DESIGN - 4695CC

RECEIVED
 ON: January 28, 2014
 and Checked for
CONFORMANCE
 BY: Jennifer Fish DATE: 02/04/2014

MATERIAL LIST / ABUTMENT			
ITEM	MARK	DESCRIPTION	QTY:
1	#5 x 12'-10"	(BLACK)	22
2	#5 x 12'-1"	(BLACK)	17
3	#5 x 12'-4"	(BLACK)	26
4			
5			
6	3/4" F-42	(GALV.)	6
7	#5-X NMB SPLICE SLEEVE	(BLACK)	17
8	#5-X NMB SPLICE SLEEVE	(BLACK)	22
9			
10			
11	DAYTON 20T/8 3/4" SHFT LIFT	(BLACK) (WITH RECESS PLUG)	6
12	#4-#800 #6 BENT BAR	(BLACK)	17
13			
14			
15			

APPROVAL STAMP:

J.P. CARRARA & SONS INC.
 Precast & Prestress Manufacturer
 100 OLD RD. MIDDLEBURY, VT 05751 Phone: (802) 248-4300 Fax: (802) 248-4010

T. BUCK CONSTRUCTION
 CONTRACTOR
 AUBURN, MAINE

STATE OF VERMONT AGENCY OF TRANSPORTATION
 COUNTY OF ADDISON

DATE: OCT. 9, 2013
 SCALE: NOTED
 CHKD: DFM: T.D.
 JOB NO: 2340-013

TOWN OF MIDDLEBURY
 ROUTE NO. VT 125, EAST MIDDLEBURY GORGE
 BRIDGE NO. 13 PROJECT NO. RS 014(8)

P/C ABUTMENT DETAILS
 DWG. NO: ABI

1/21/14 GENERAL REVISION T.D.
 1/31/14 GENERAL REVISION T.D.