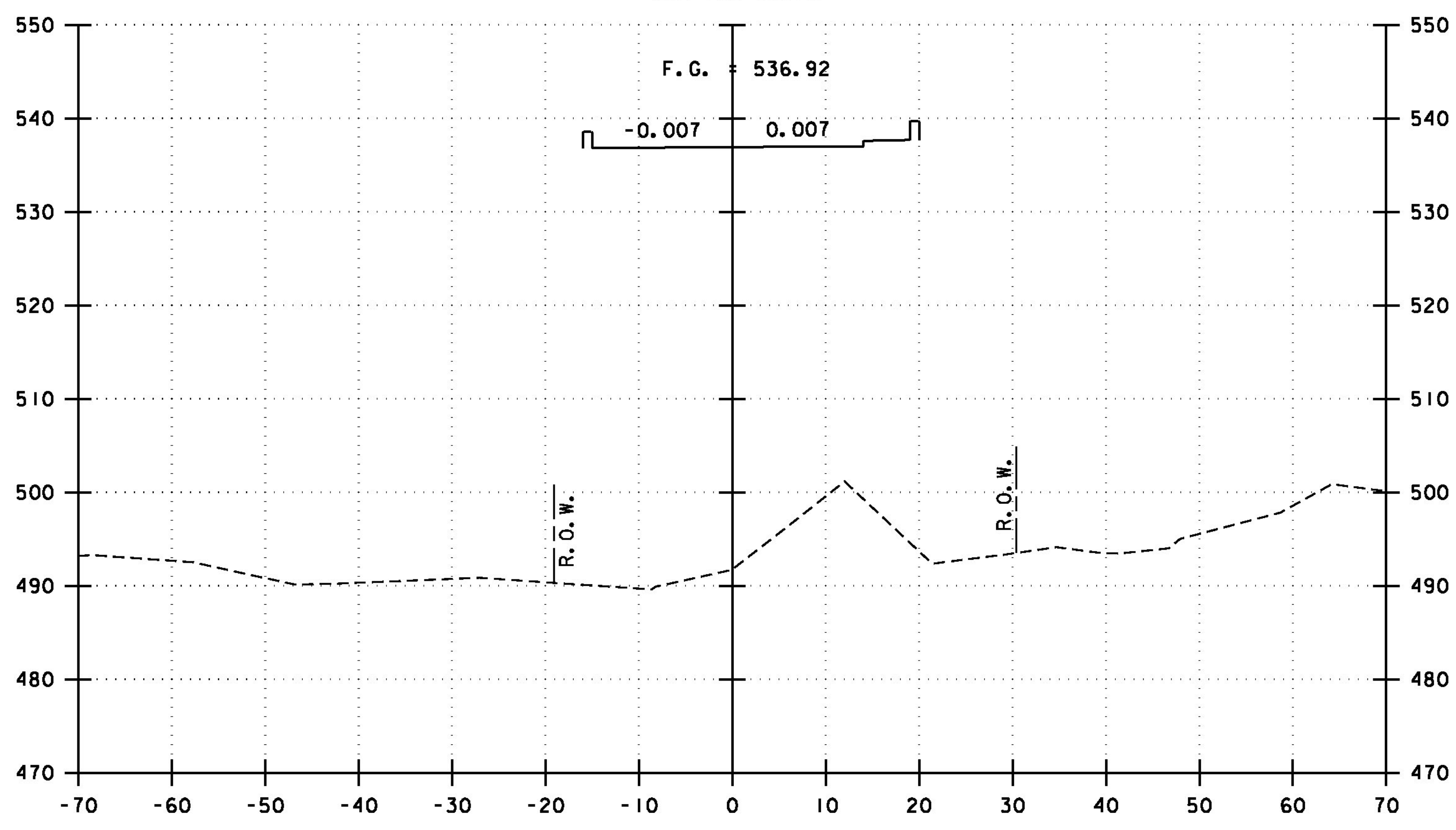
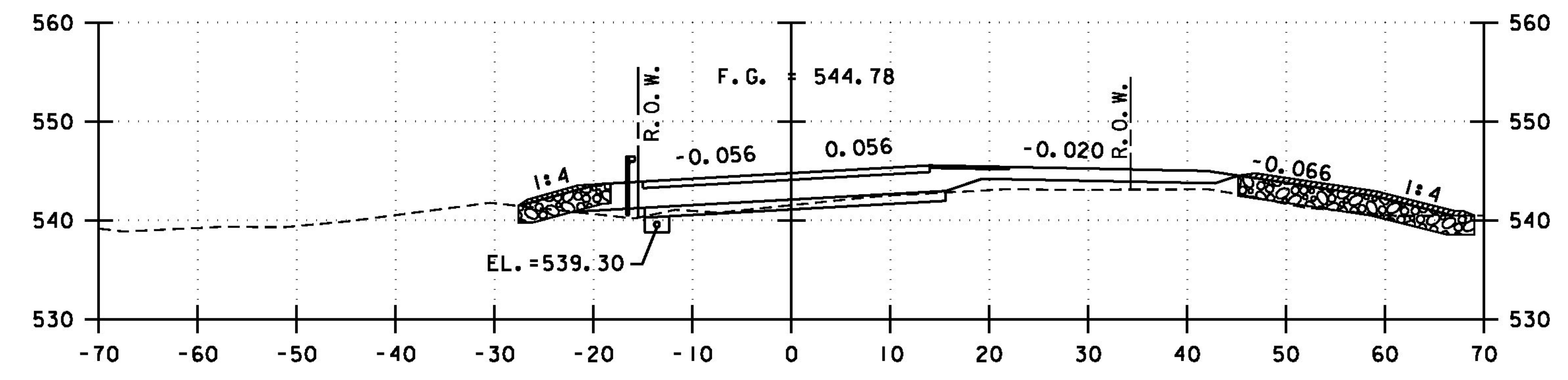


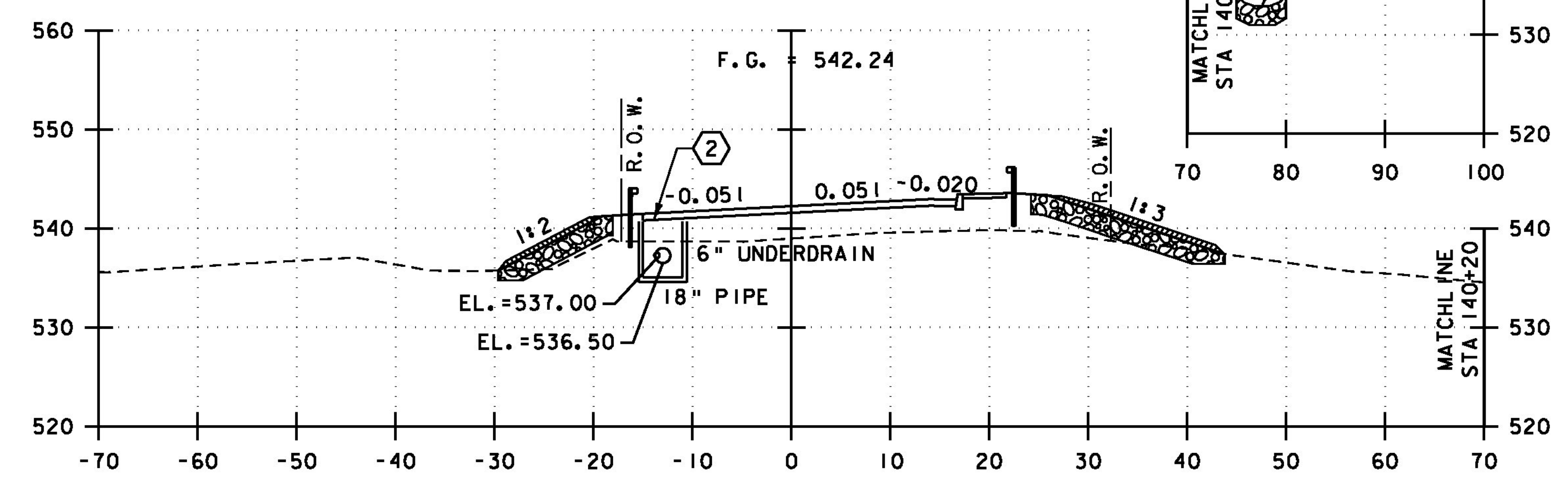
140+00
END BRIDGE
STA 139+72.75



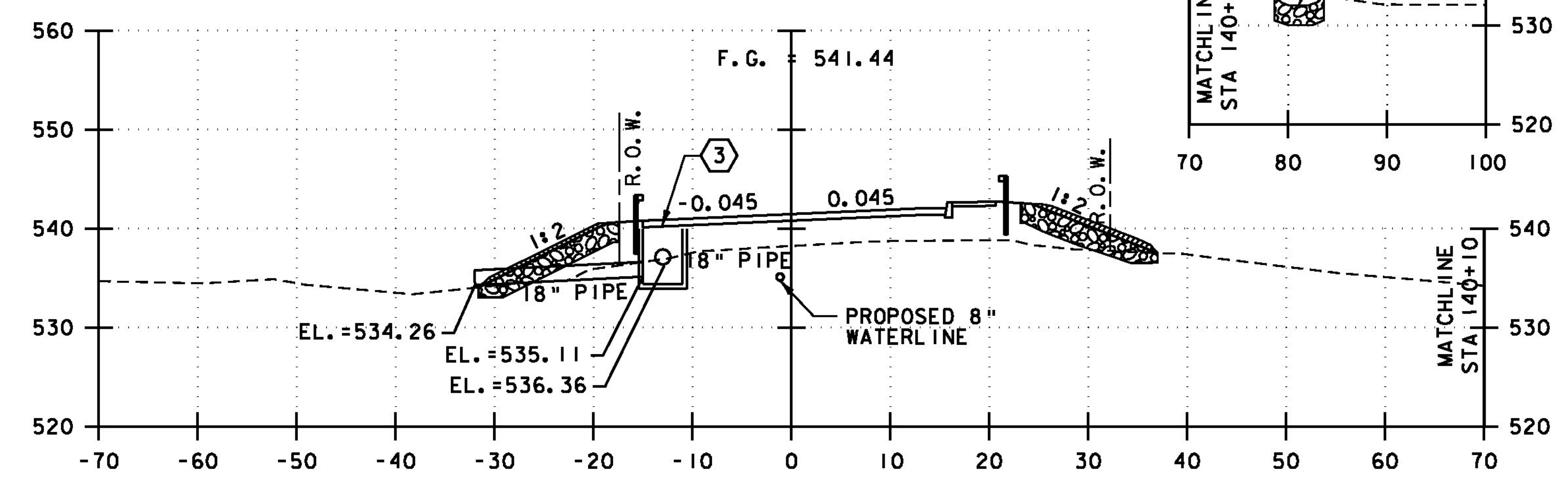
139+50



140+50



140+20



140+10

VT 125 CROSS SECTIONS
STA 139+50 TO STA 140+50



PROJECT NAME:	MIDDLEBURY
PROJECT NUMBER:	RS 0174(8)
FILE NAME:	z78f217xsl.dgn
PROJECT LEADER:	M.A. COLGAN
DESIGNED BY:	D.M. PECK
ROADWAY CROSS SECTION (3 OF 6)	
PLOT DATE:	8/27/2013
DRAWN BY:	B.J. MASSE
CHECKED BY:	G.L. BAKOS
SHEET	84 OF 104