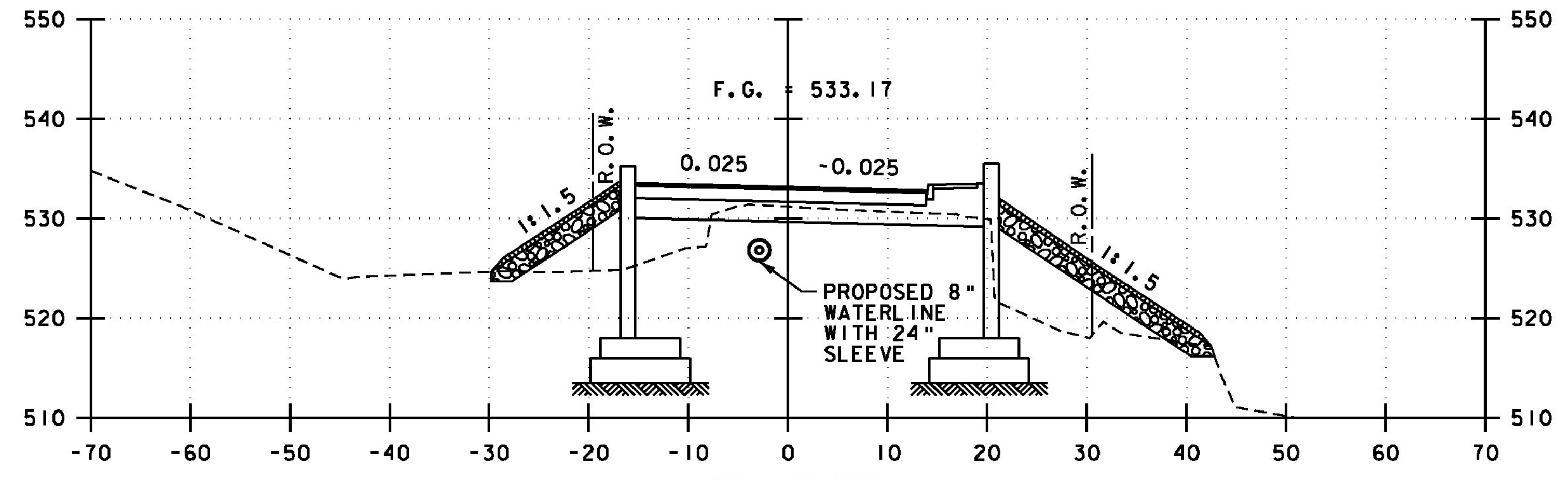
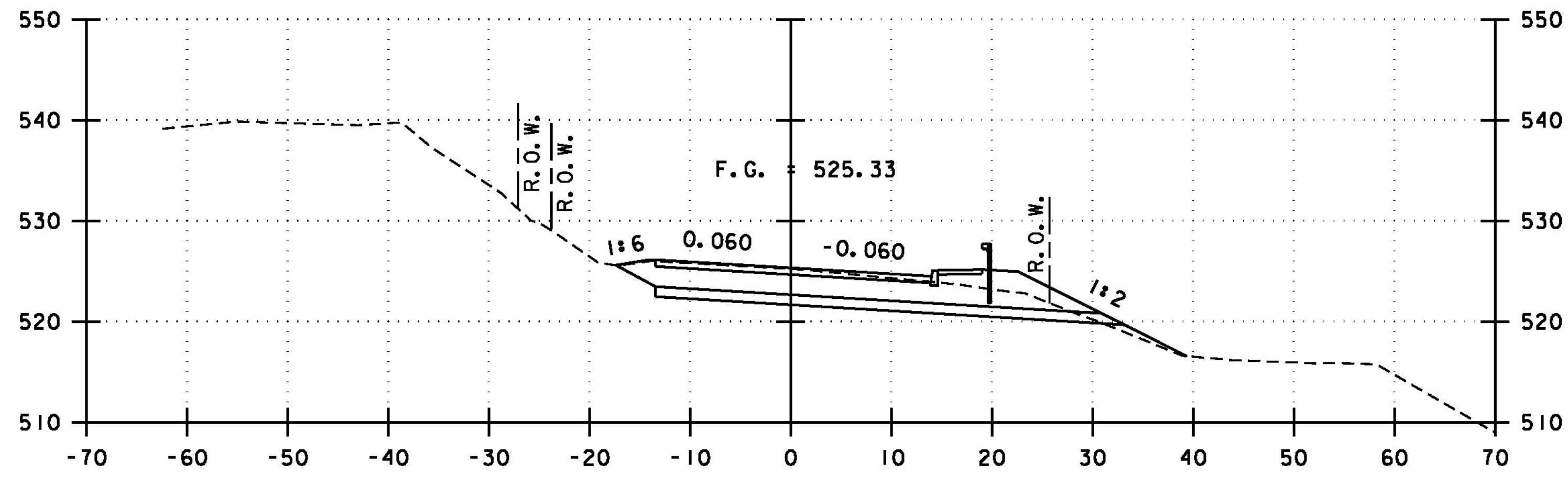


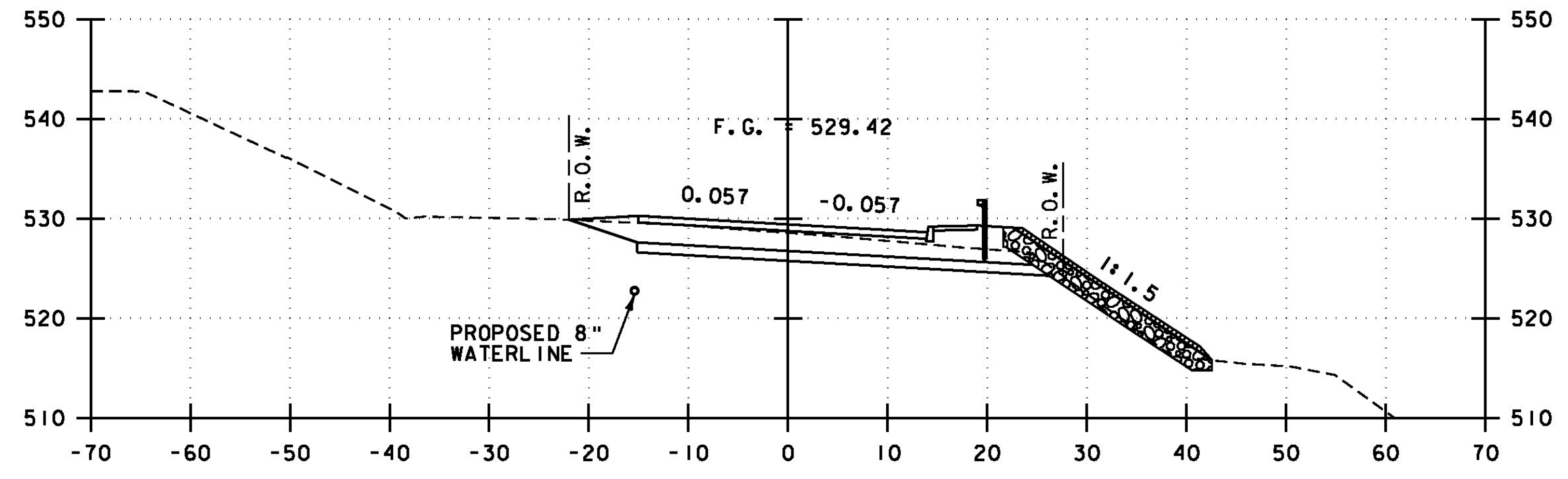
138+22



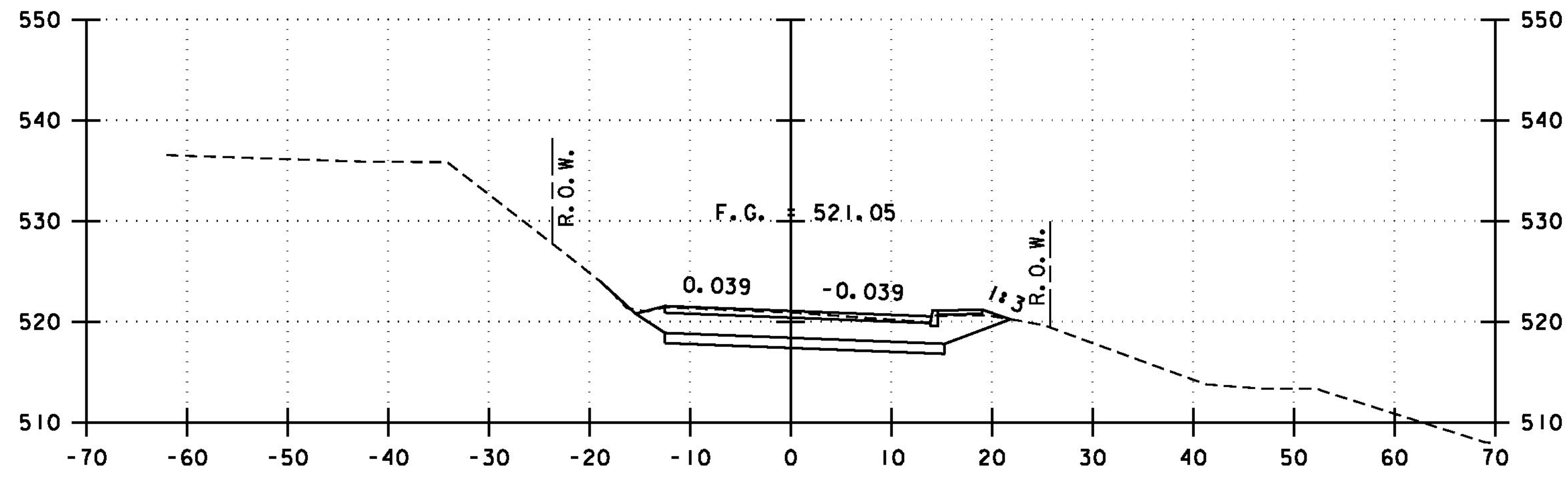
BEGIN BRIDGE  
STA 139+06.75  
139+00



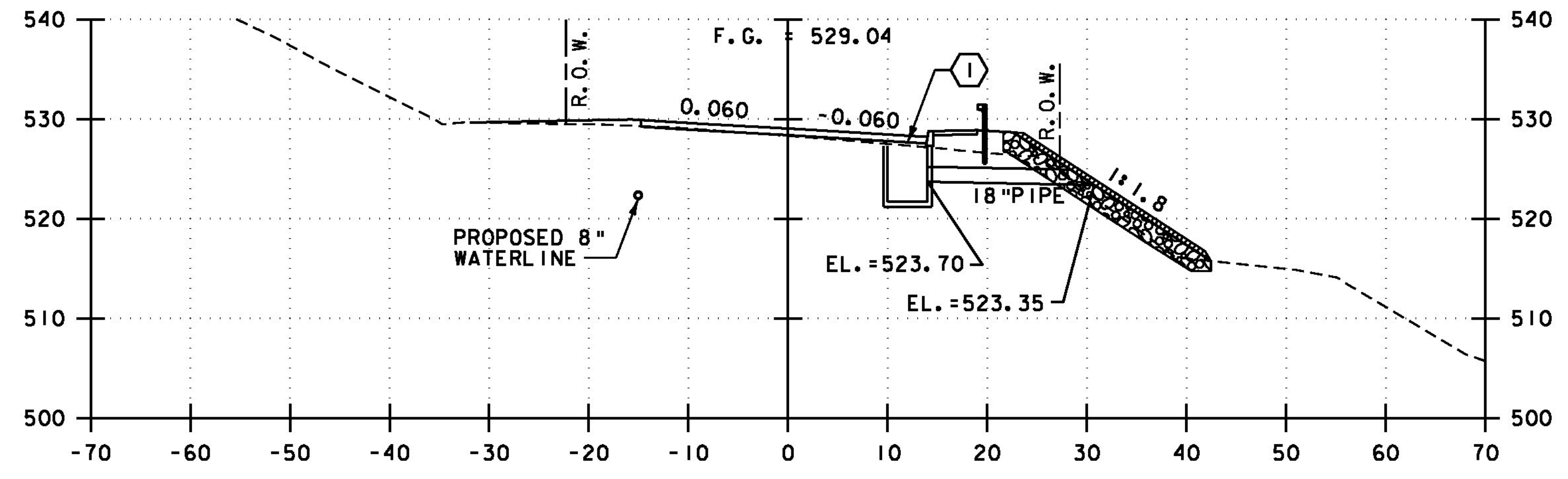
138+00



138+50



137+50



138+45

VT 125 CROSS SECTIONS

STA 137+50 TO STA 139+00



PROJECT NAME:	MIDDLEBURY
PROJECT NUMBER:	RS 0174(8)
FILE NAME:	z78f217xsl.dgn
PROJECT LEADER:	M.A. COLGAN
DESIGNED BY:	D.M. PECK
ROADWAY CROSS SECTION (2 OF 6)	
PLOT DATE:	8/27/2013
DRAWN BY:	B.J. MASSE
CHECKED BY:	G.L. BAKOS
SHEET	83 OF 104