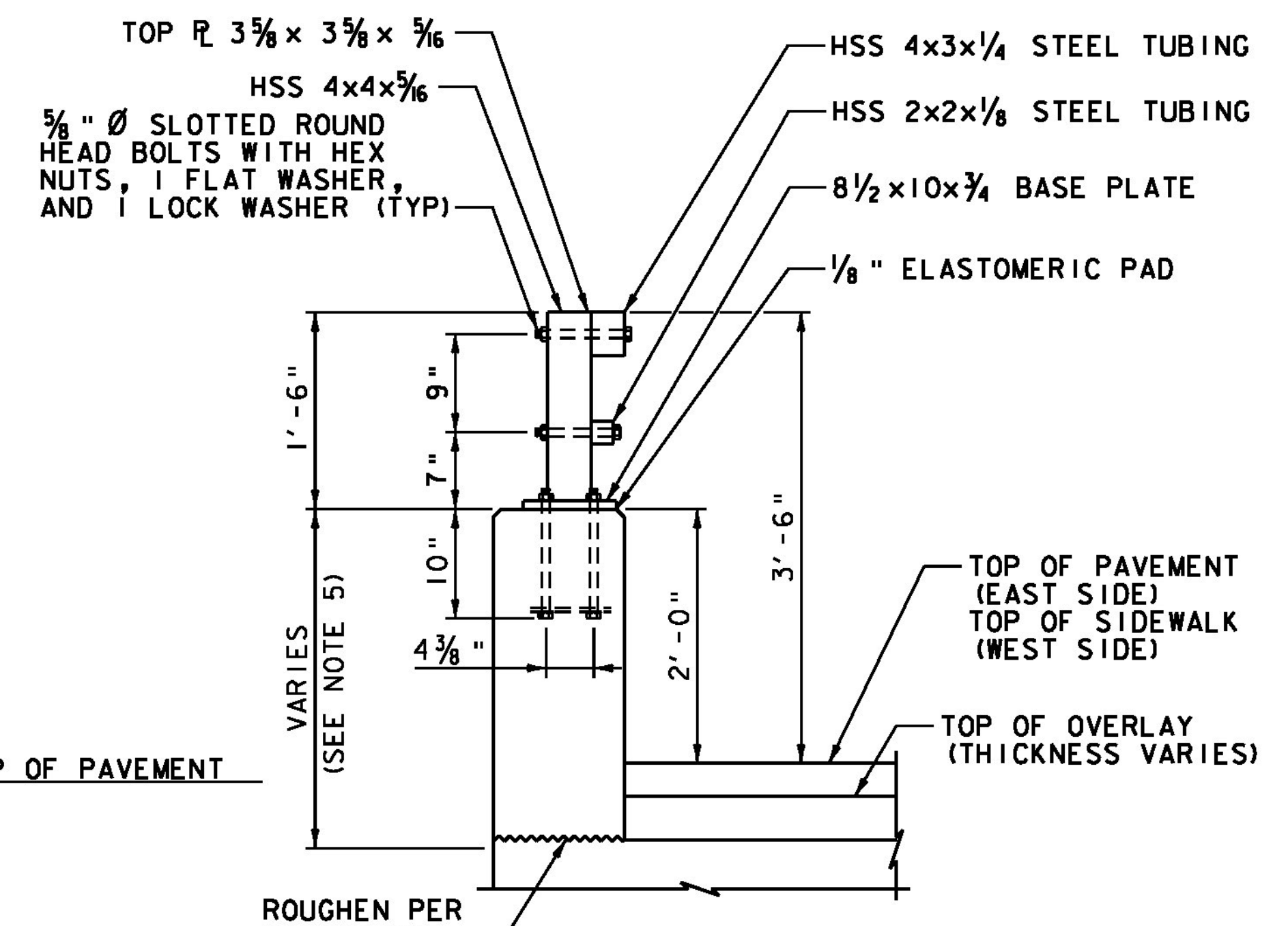
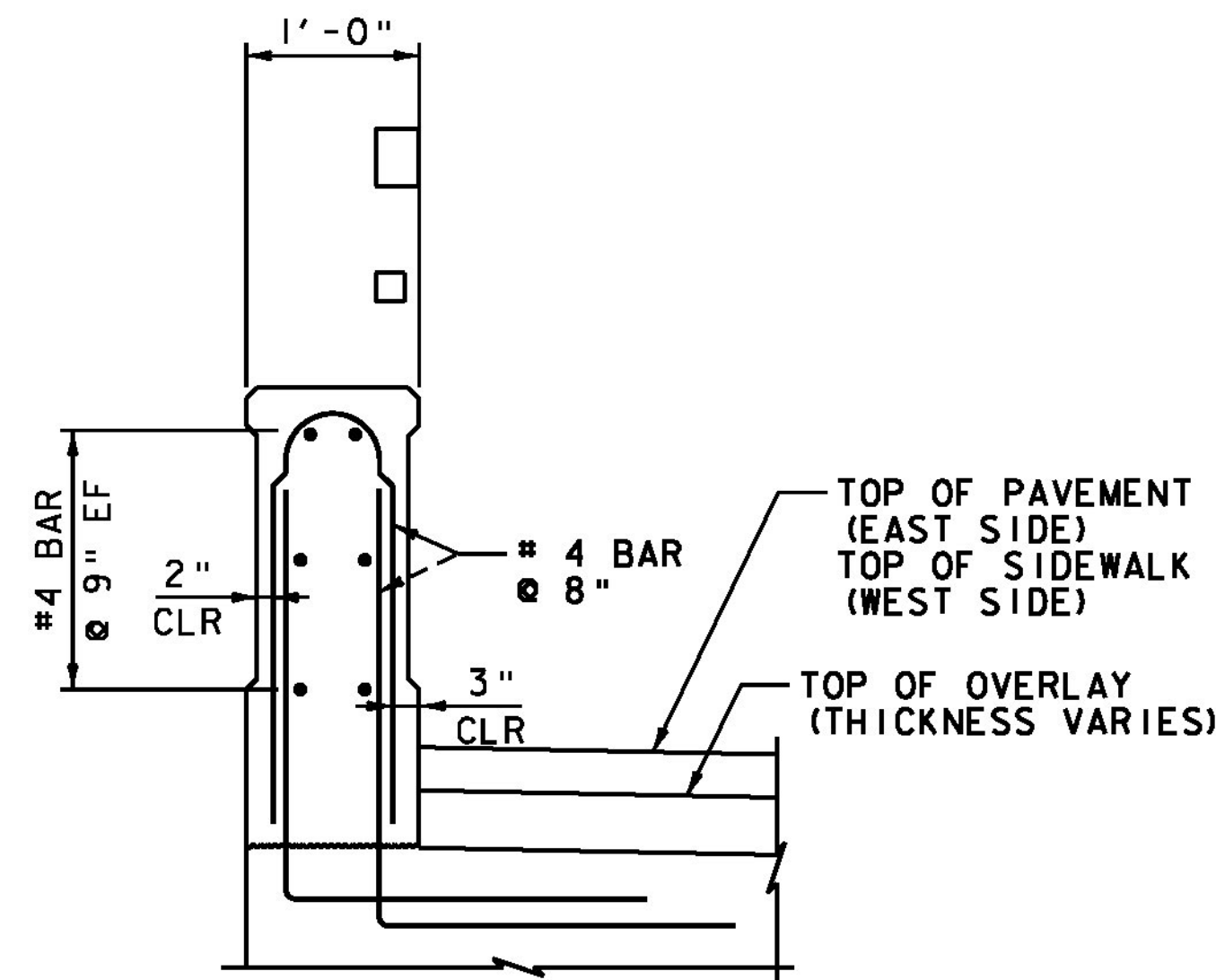


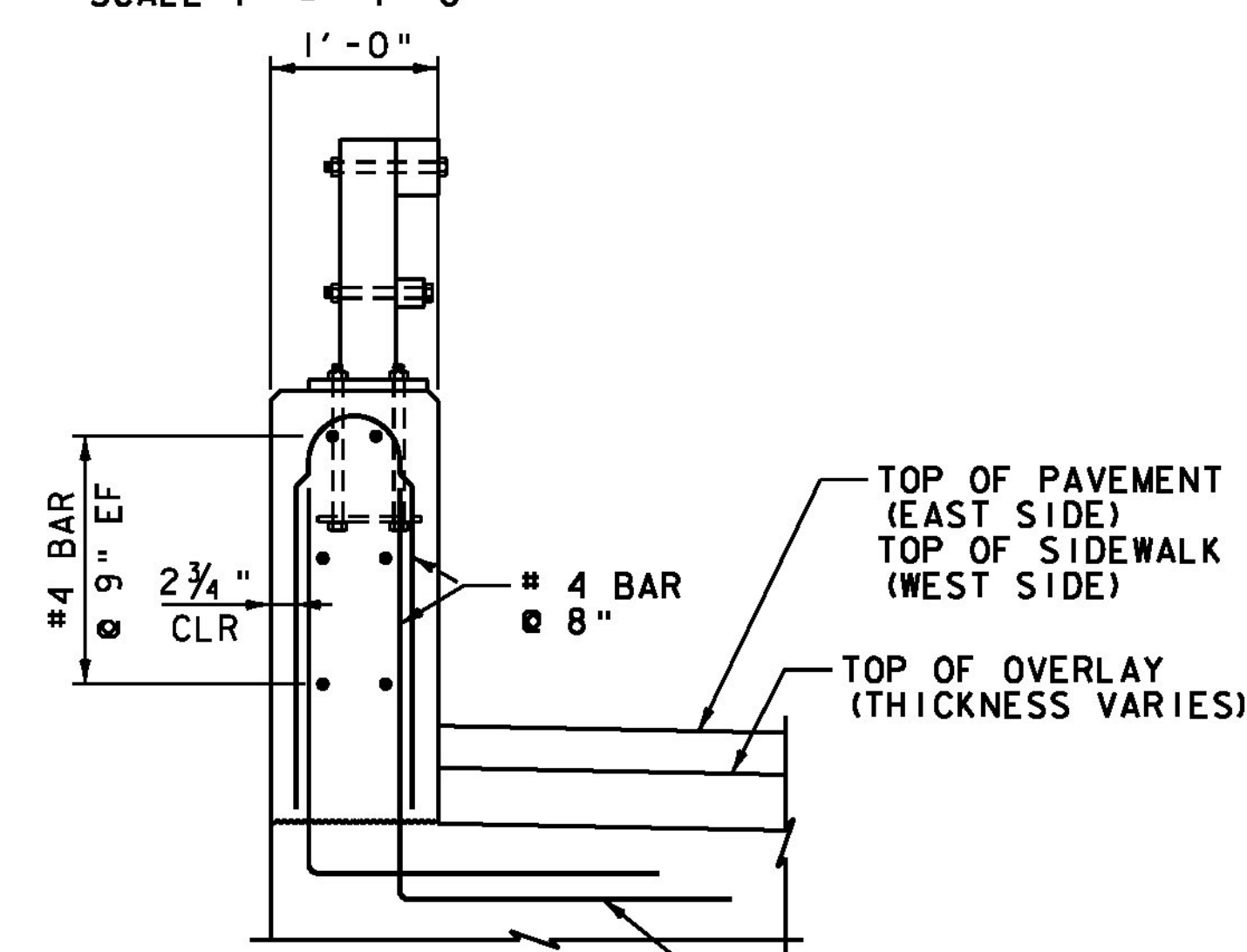
RAILING & END WALL APPROACH
SCALE 1" = 1'-0"



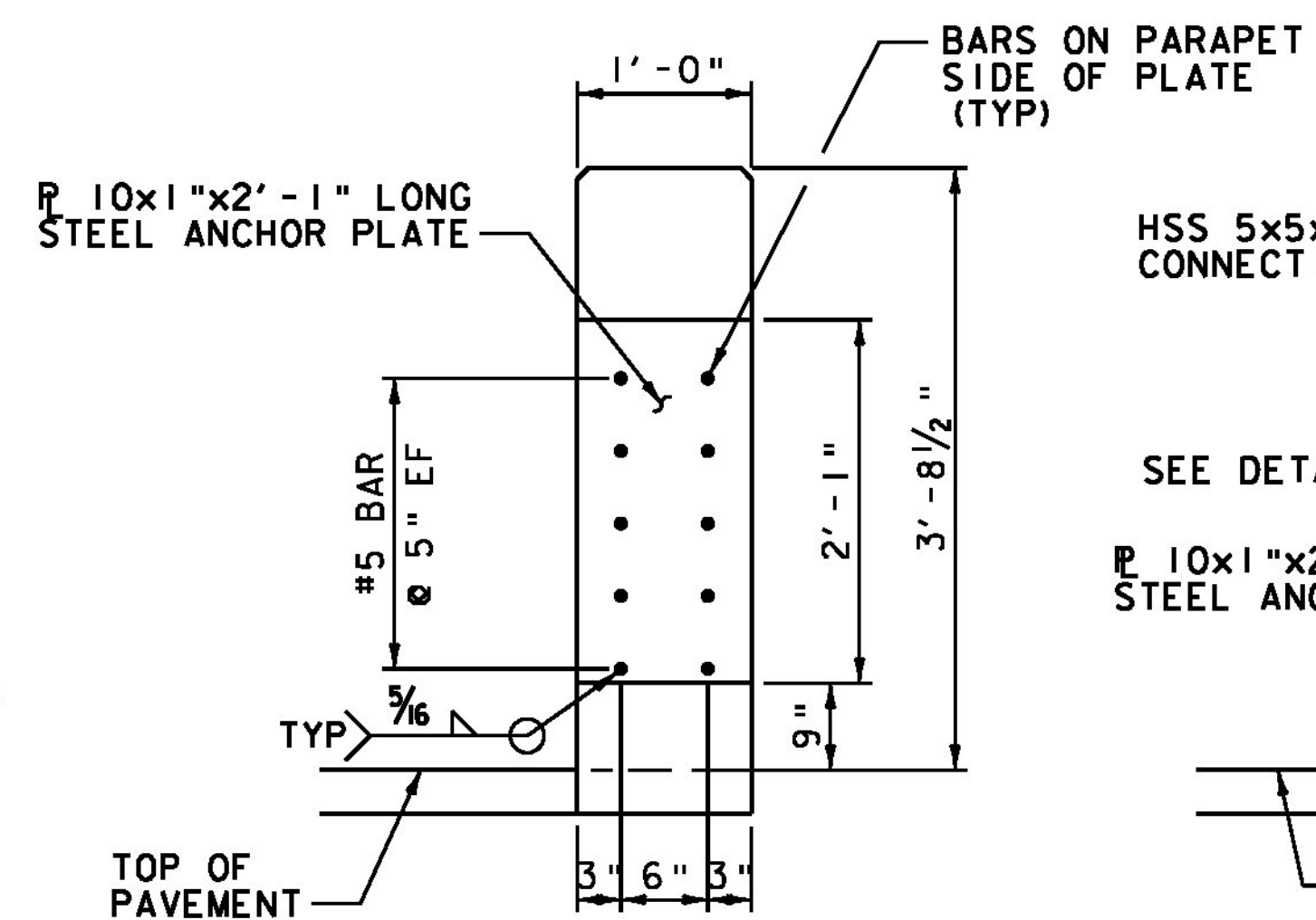
RAIL TYPICAL SECTION
SCALE 1" = 1'-0"



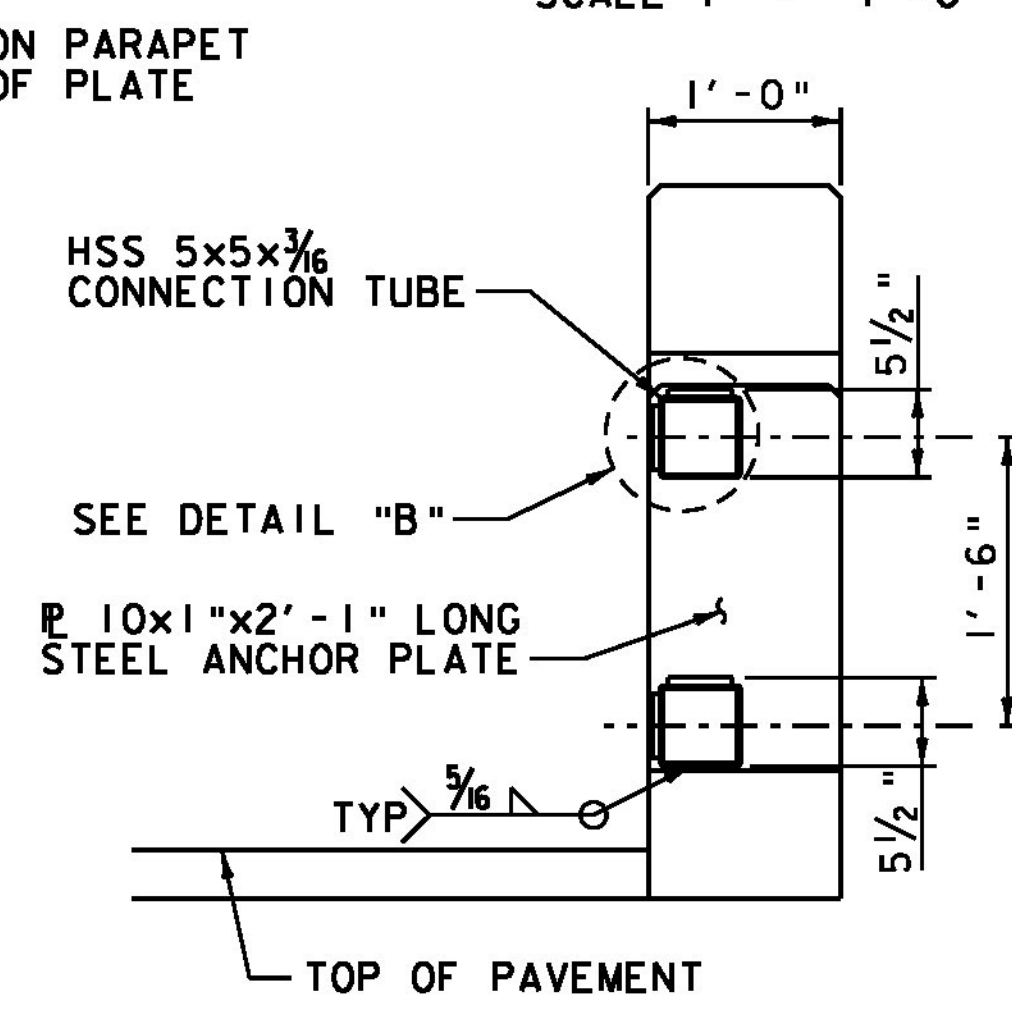
SECTION A-A
(ON BRIDGE)
SCALE 1" = 1'-0"



SECTION B-B
SCALE 1" = 1'-0"
SEE SECTION A-A (ON WINGWALL) FOR REBAR DETAIL ON WINGWALL LOCATIONS (SEE NOTE 3)



SHOWING EMBEDDED REBAR



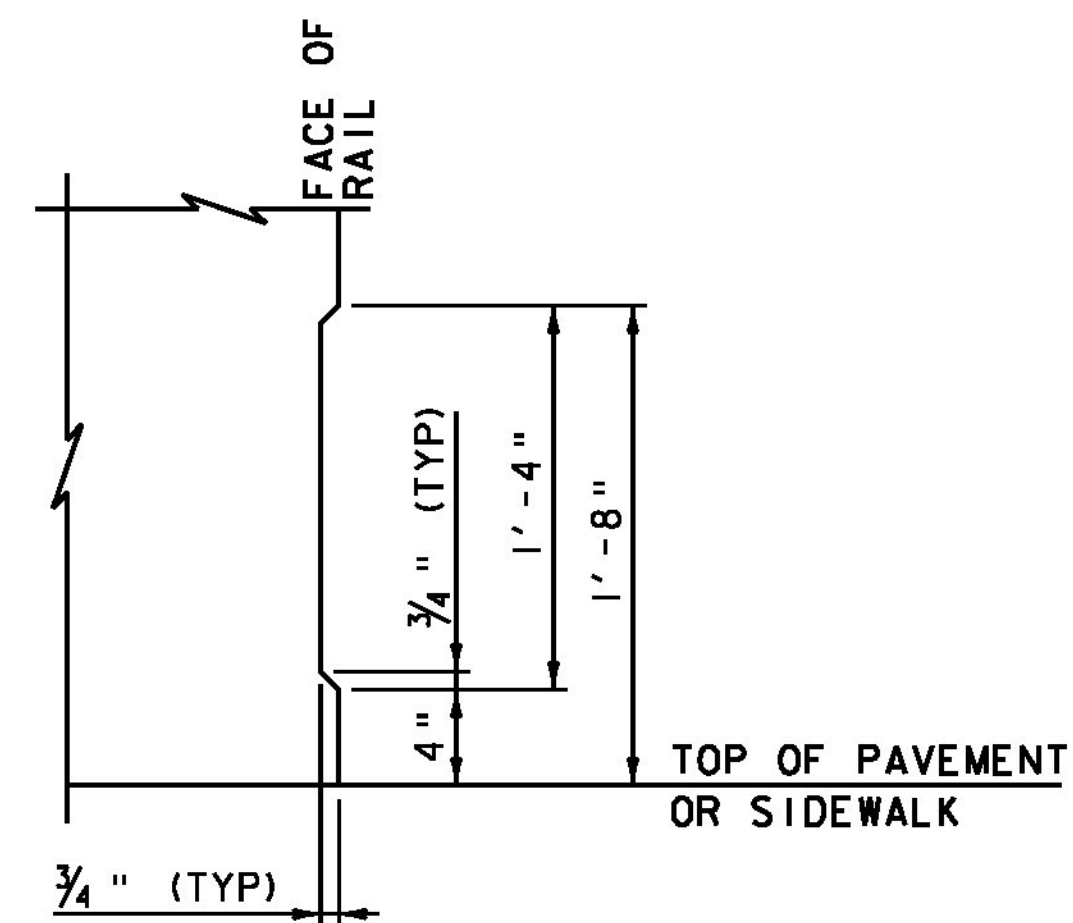
WITH HSS CONNECTOR TUBE

NOTE:

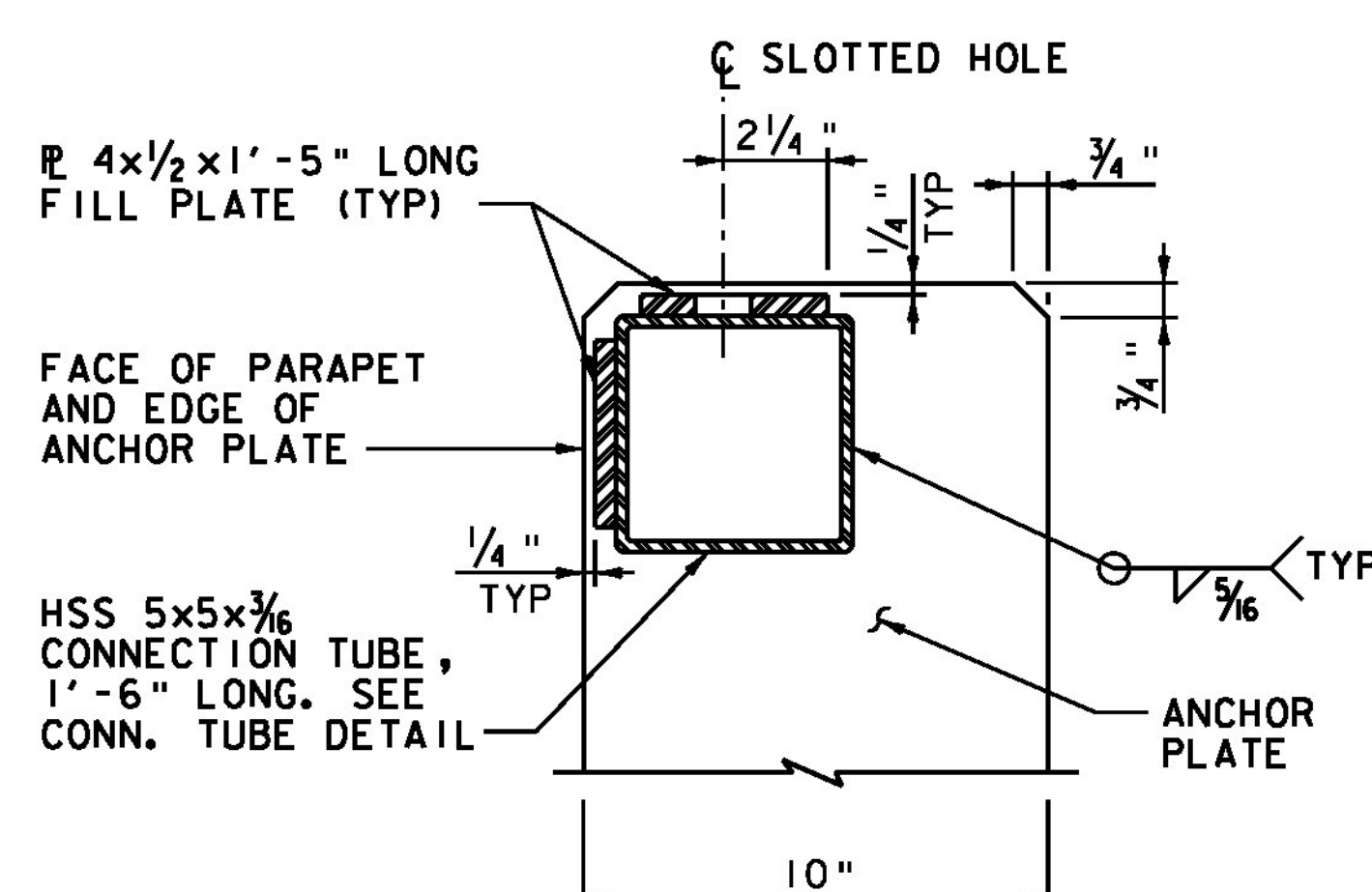
- NF = NEAR FACE
- FF = FAR FACE
- EF = EACH FACE
- ▲ = CUT TO FIT IN FIELD
- 3" CLEAR, UNLESS OTHERWISE SPECIFIED ON THE PLANS.
- 2'-2" BAR LAP UNLESS OTHERWISE SPECIFIED ON THE PLANS.

NOTES:

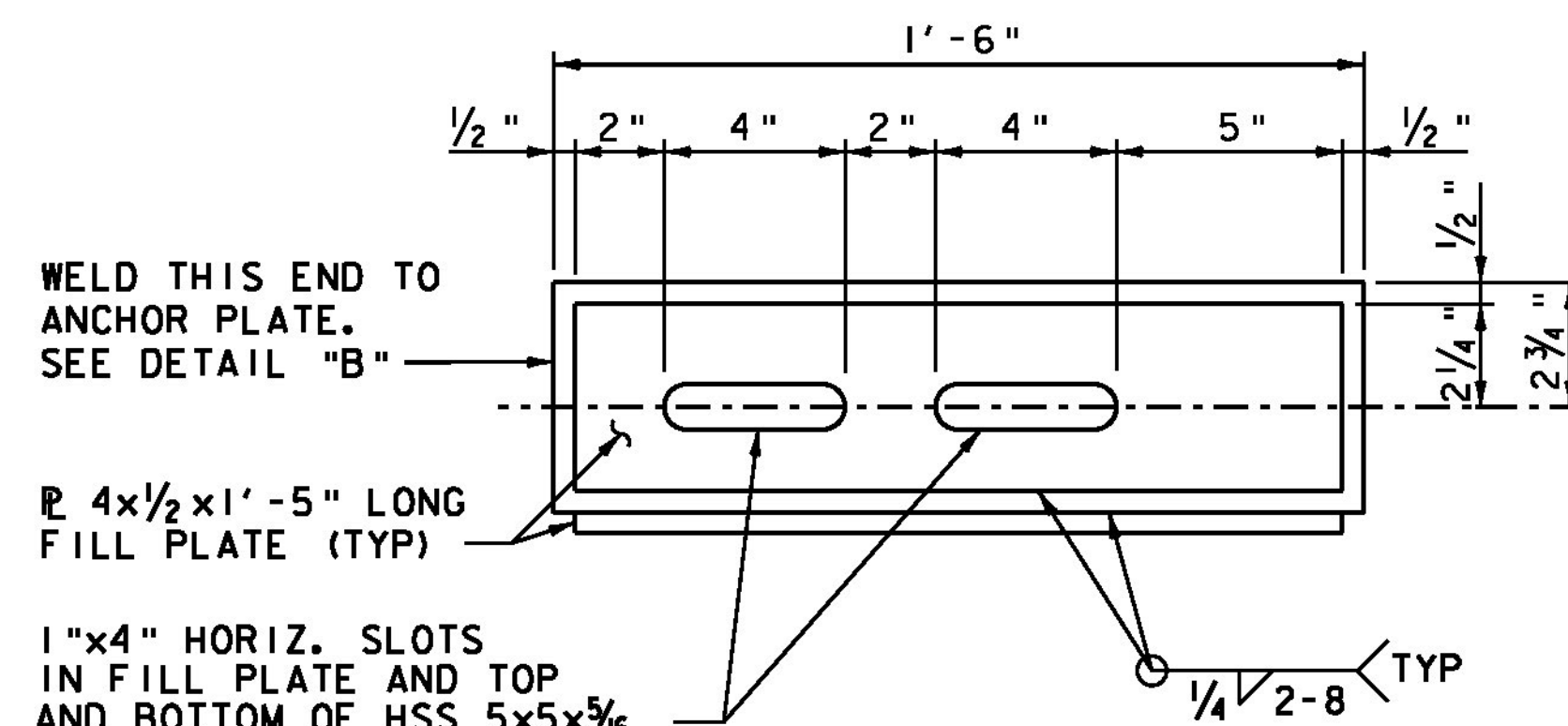
1. BRIDGE RAIL SHALL HAVE A RUBBED FINISH IN ACCORDANCE WITH SECTION 501.
2. HOLES AND RECESSES ARE TO BE FORMED OR CORED, PERCUSSION DRILLING IS NOT ALLOWED.
3. ALL STEEL COMPONENTS SHALL BE POWDER COATED BLACK AFTER GALVANIZING.
4. SEE PROJECT NOTES SHEET FOR ADDITIONAL BRIDGE RAILING NOTES.
5. SEE BRIDGE RAIL DETAILS (2 OF 3) FOR SECTION A-A AND SECTION C-C ON WINGWALL AND DIMENSIONS OF PARAPET HEIGHT ALONG THE SPAN.
6. SEE PRECAST ARCHITECTURAL PANEL DETAILS (2 OF 2) FOR REINFORCING EXTENDING INTO PRECAST COPING.
7. SEE STANDARDS S-352B AND S-352C FOR STEEL TUBING SPLICE DETAILS AND RAIL POST BASE PLATE DETAILS.



ASTHETIC TREATMENT DETAIL
SCALE 1 1/2" = 1'-0"



DETAIL B
SCALE 3" = 1'-0"



CONNECTION TUBE DETAIL
SCALE 3" = 1'-0"

PROJECT NAME:	MIDDLEBURY	FILE NAME:	z78f217brail.dwg	PLOT DATE:	8/27/2013
PROJECT NUMBER:	RS 0174(8)	PROJECT LEADER:	G.S. GOODRICH	DRAWN BY:	J.L. LEMIEUX
		DESIGNED BY:	K.G. KRETSCH	CHECKED BY:	S.E. BURBANK
		BRIDGE RAIL DETAILS (1 OF 3)		SHEET	79 OF 104