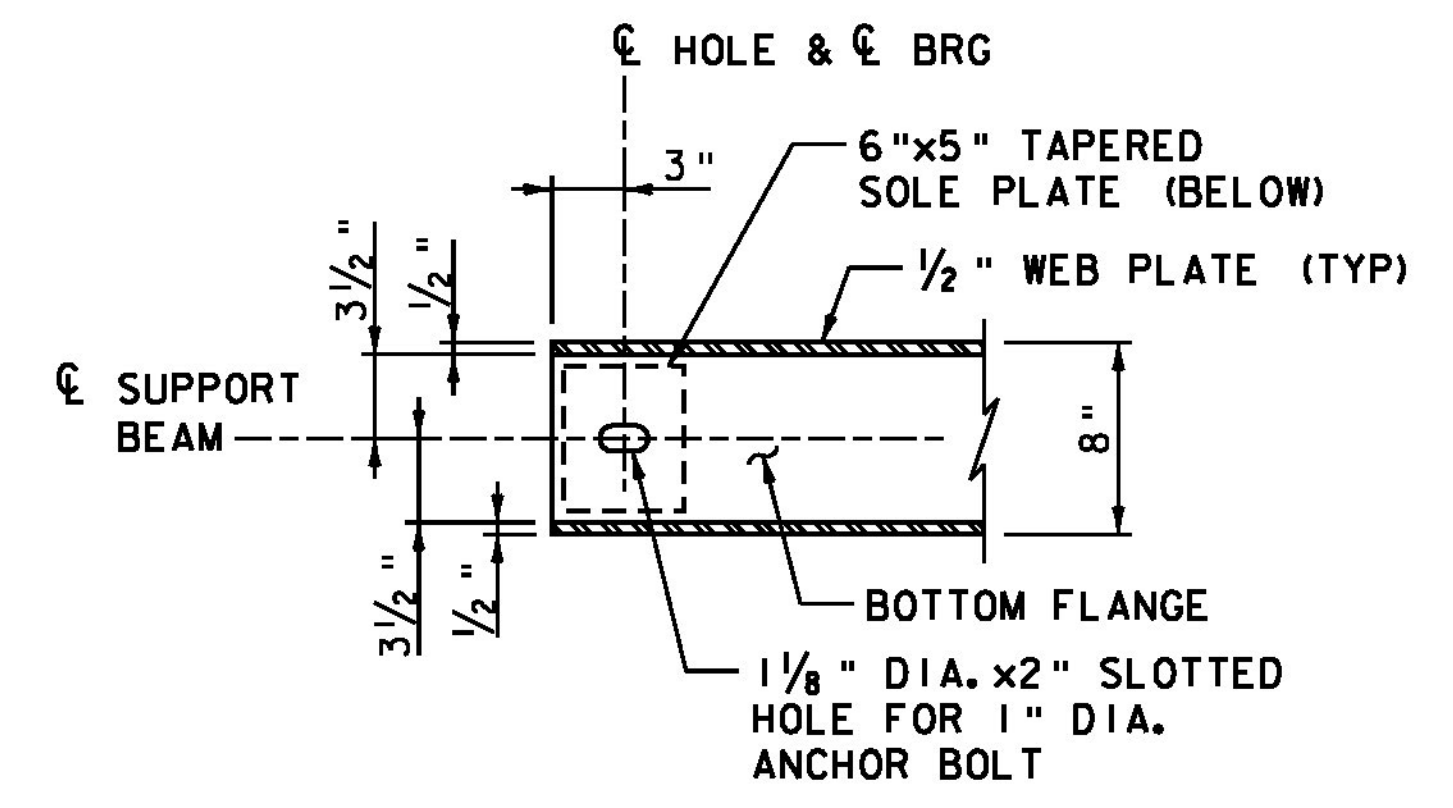
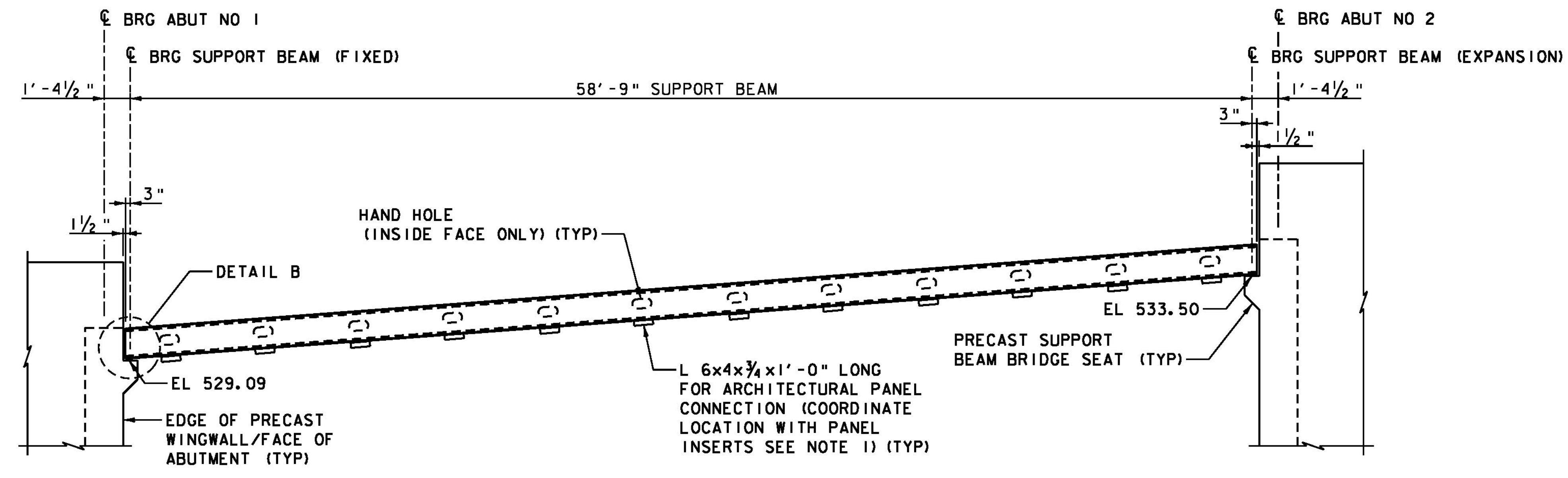


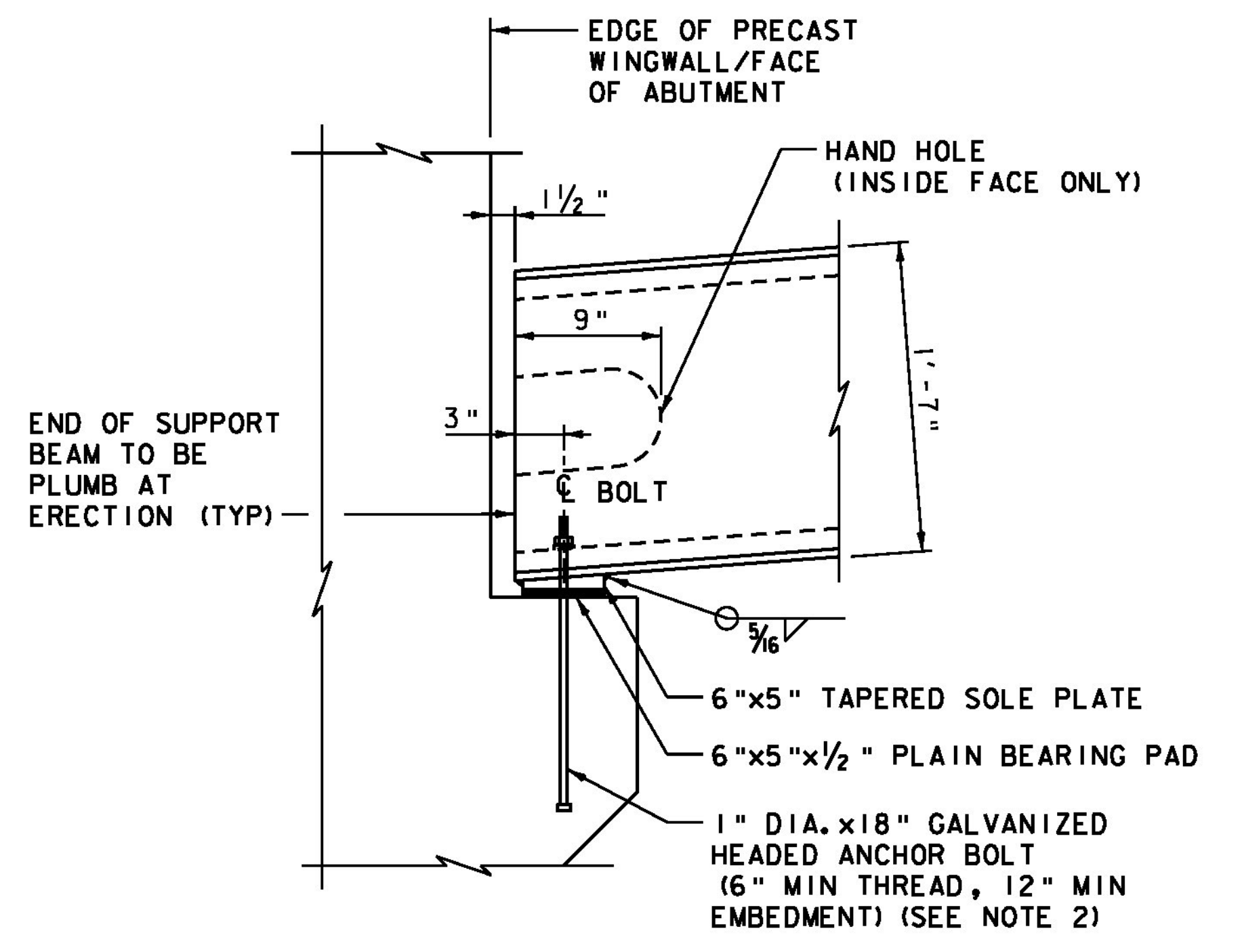
SUPPORT BEAM PLAN
 (SUPPORT BEAM AT WEST FASCIA SHOWN,
 SUPPORT BEAM AT EAST FASCIA SIMILAR)
 SCALE 1/4" = 1'-0"



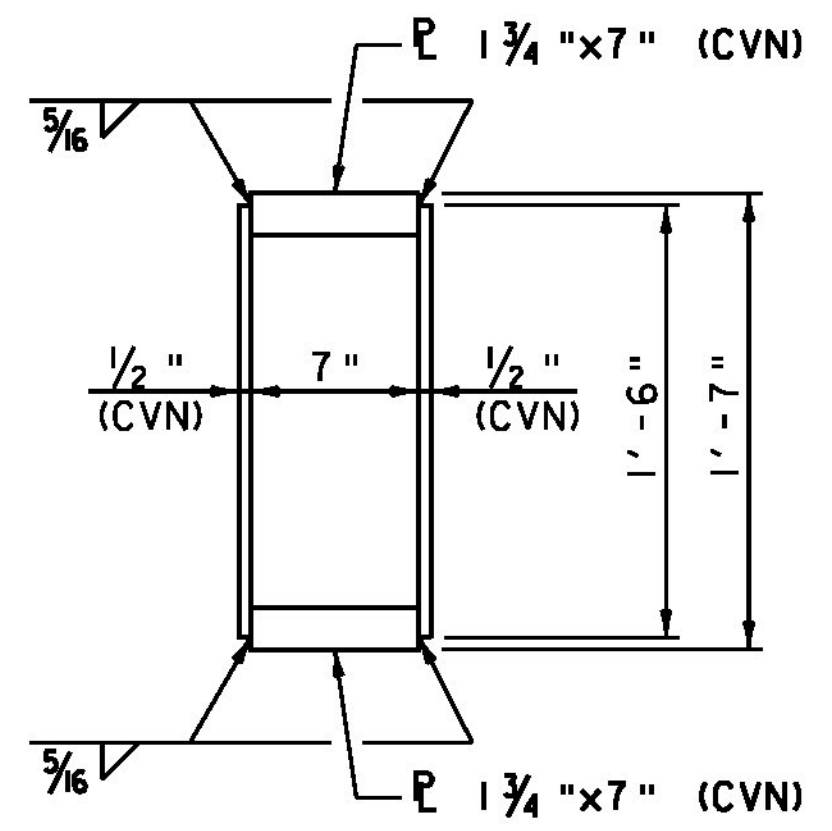
DETAIL A
 SCALE 1/2" = 1'-0"



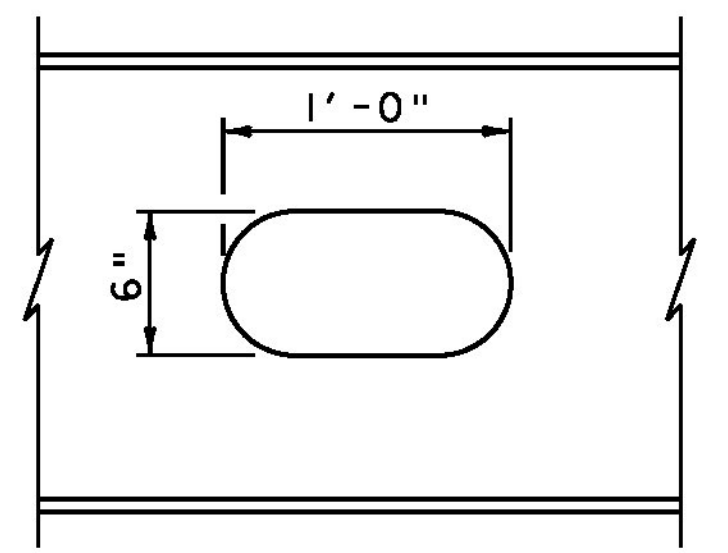
SUPPORT BEAM ELEVATION
 SCALE 1/4" = 1'-0"



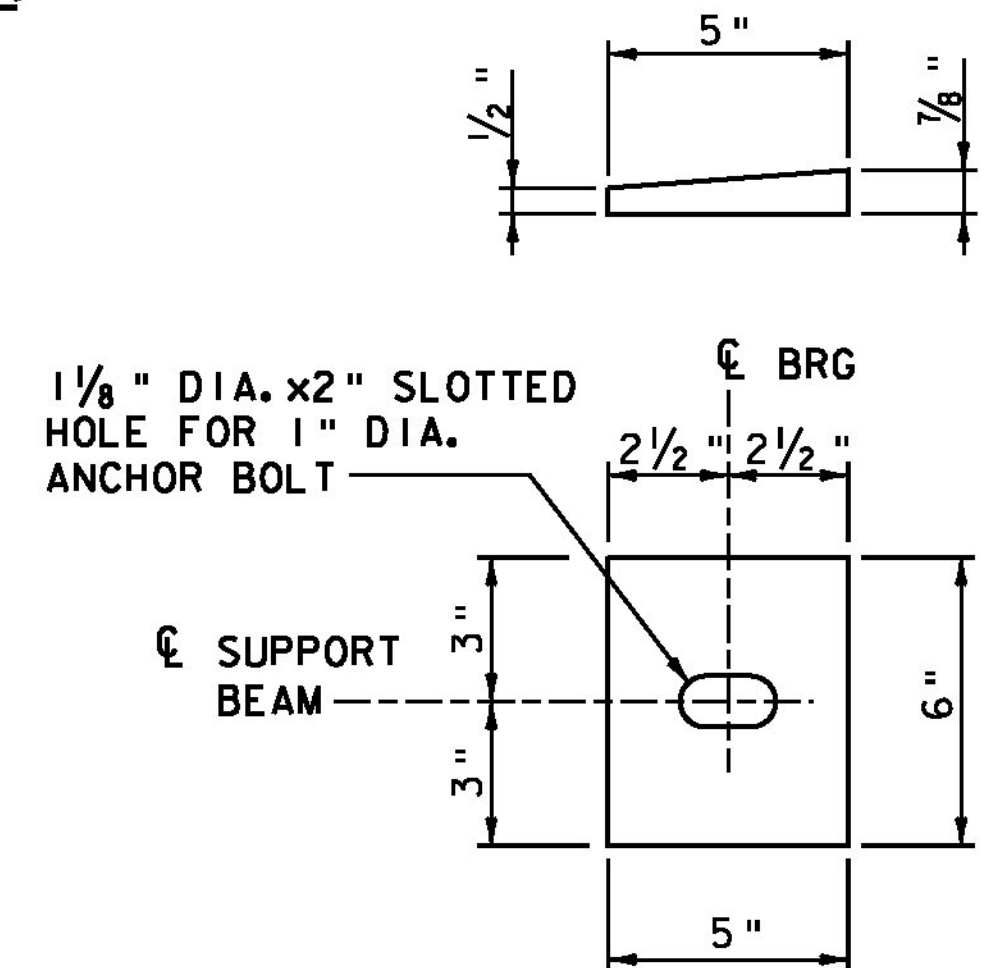
DETAIL B
 ABUTMENT NO 1 SHOWN, ABUTMENT NO 2 SIMILAR
 SCALE 1/2" = 1'-0"



**ARCH PANEL
 SUPPORT BEAM**
 SCALE 1/2" = 1'-0"



HAND HOLE DETAIL
 SCALE 1/2" = 1'-0"



SOLE PLATE DETAIL
 (4 REQUIRED)
 SCALE 3" = 1'-0"

NOTES:

1. SEE PRECAST ARCHITECTURAL PANEL DETAIL SHEETS FOR ADDITIONAL INFORMATION.
2. ANCHOR BOLT NUT SHALL BE TIGHTENED AT FIXED END AND TIGHTENED THEN LOOSENED ONE TURN AT EXPANSION END.
3. CHАРY V-NOTCH TESTING REQUIRED FOR ALL MEMBERS MARKED (CVN).
4. PAYMENT FOR FURNISHING AND INSTALLING SUPPORT BEAM AND ASSOCIATED HARDWARE WILL BE MADE UNDER CONTRACT ITEM 506.60, "STRUCTURAL STEEL".

PROJECT NAME:	MIDDLEBURY
PROJECT NUMBER:	RS 0174(8)
FILE NAME:	z78f217panel.dgn
PROJECT LEADER:	M.A. COLGAN
DESIGNED BY:	K.G. KRETSCH
SUPPORT BEAM DETAILS (1 OF 2)	
PLOT DATE:	8/27/2013
DRAWN BY:	B.J. MASSE
CHECKED BY:	G.S. GOODRICH
SHEET	76 OF 104

