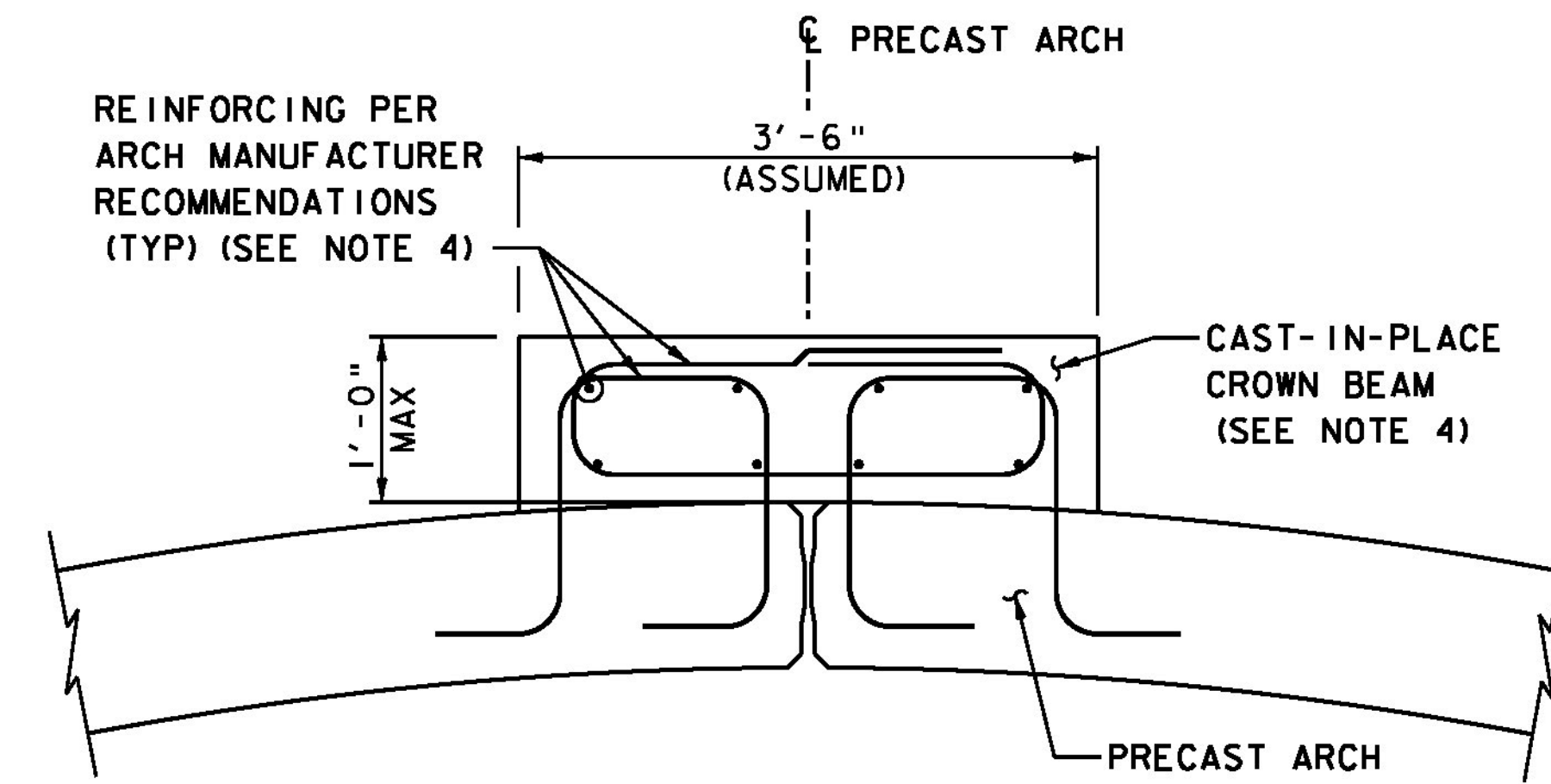
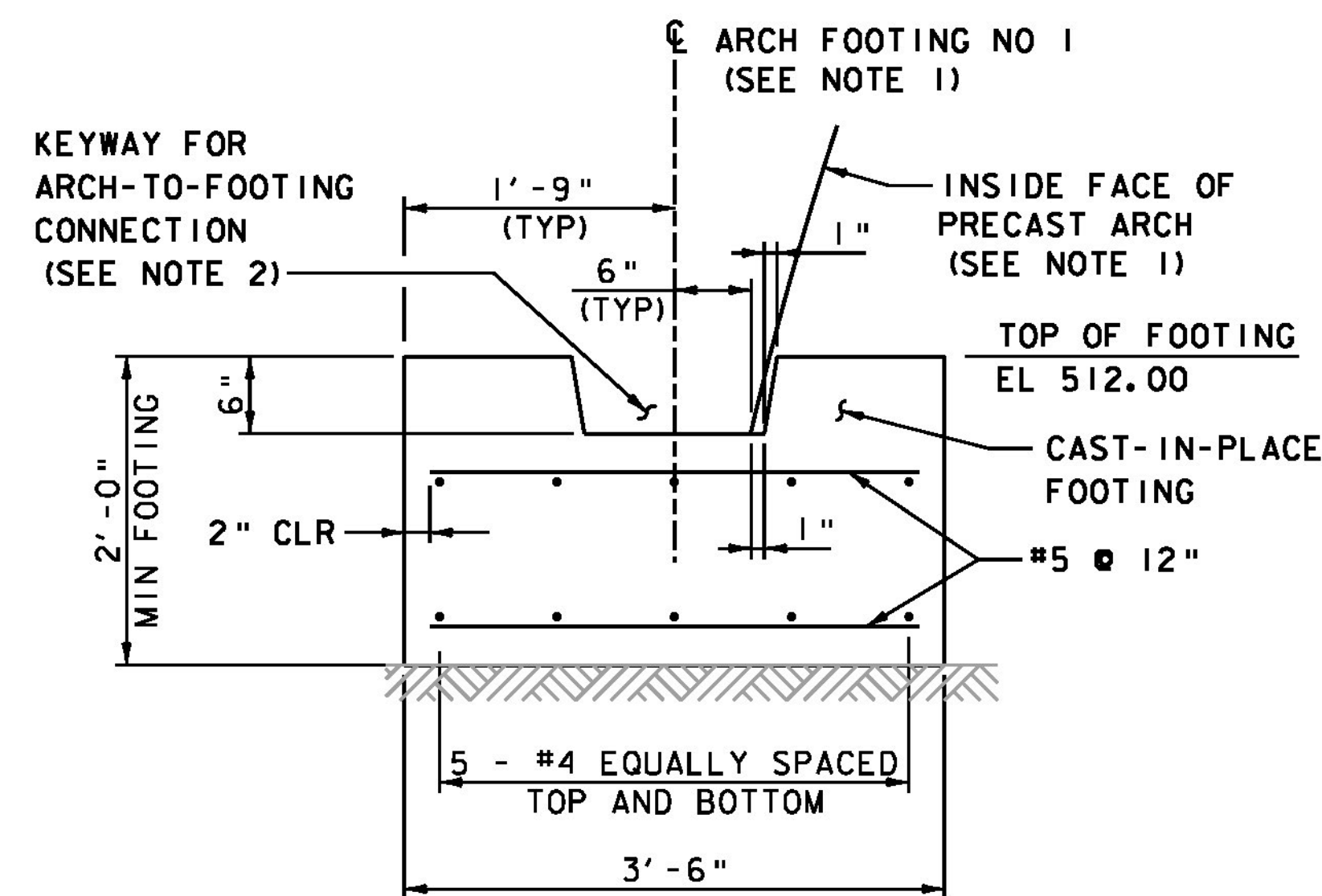


DETAIL A
 (EAST END OF ARCH FOOTING NO 1 SHOWN,
 ALL OTHER CORNERS SIMILAR)
 SCALE 1" = 1'-0"



DETAIL B
 SCALE 1" = 1'-0"



FOOTING DETAIL
 (ARCH FOOTING NO 1 SHOWN,
 ARCH FOOTING NO 2 SIMILAR, OPPOSITE HAND)
 SCALE 1" = 1'-0"

NOTE:

- NF = NEAR FACE
- FF = FAR FACE
- EF = EACH FACE
- ▲ = CUT TO FIT IN FIELD
- 3" CLEAR, UNLESS OTHERWISE SPECIFIED ON THE PLANS.
- 2'-2" BAR LAP UNLESS OTHERWISE SPECIFIED ON THE PLANS.

NOTES:

1. THE CENTERLINE OF FOOTING IS BASED ON A 1'-0" THICK PRECAST ARCH AND IS CALCULATED FROM THE INSIDE FACE OF THE ARCH, WHICH IS THE CONTROL, AT THE TOP OF FOOTING ELEVATION. IF, BASED ON THE MANUFACTURER'S DESIGN, THE ARCH THICKNESS IS OTHER THAN 1'-0", THE CENTERLINE OF FOOTING SHALL BE REPOSITIONED AS NEEDED TO PLACE THE CENTER OF THE FOOTING DIRECTLY UNDER THE CENTER OF THE PRECAST ARCH WALL AS CALCULATED AT THE TOP OF FOOTING.
2. ARCH-TO-FOOTING CONNECTION TO BE CONFIGURED AND GROUTED PER MANUFACTURER'S RECOMMENDATION.
3. SEE PRECAST ARCHITECTURAL PANEL SHEETS FOR ADDITIONAL DETAILS AND INFORMATION.
4. CAST-IN-PLACE CROWN BEAM IS SPECIFIC TO THE PRECAST ARCH SYSTEM AND IS DESIGNED BY THE ARCH FABRICATOR, IF REQUIRED. ALL CONCRETE, REINFORCING STEEL AND ALL OTHER CROWN BEAM RELATED MATERIALS SHALL BE PAID UNDER ITEM 540.10, "PRECAST CONCRETE STRUCTURE (ARCH)".

PROJECT NAME: MIDDLEBURY	
PROJECT NUMBER: RS 0174(8)	
FILE NAME: z78f217arch.dgn	PLOT DATE: 8/27/2013
PROJECT LEADER: M.A. COLGAN	DRAWN BY: B.J. MASSE
DESIGNED BY: K.G. KRETSCH	CHECKED BY: G.S. GOODRICH
PRECAST ARCH DETAILS (2 OF 2)	SHEET 70 OF 104