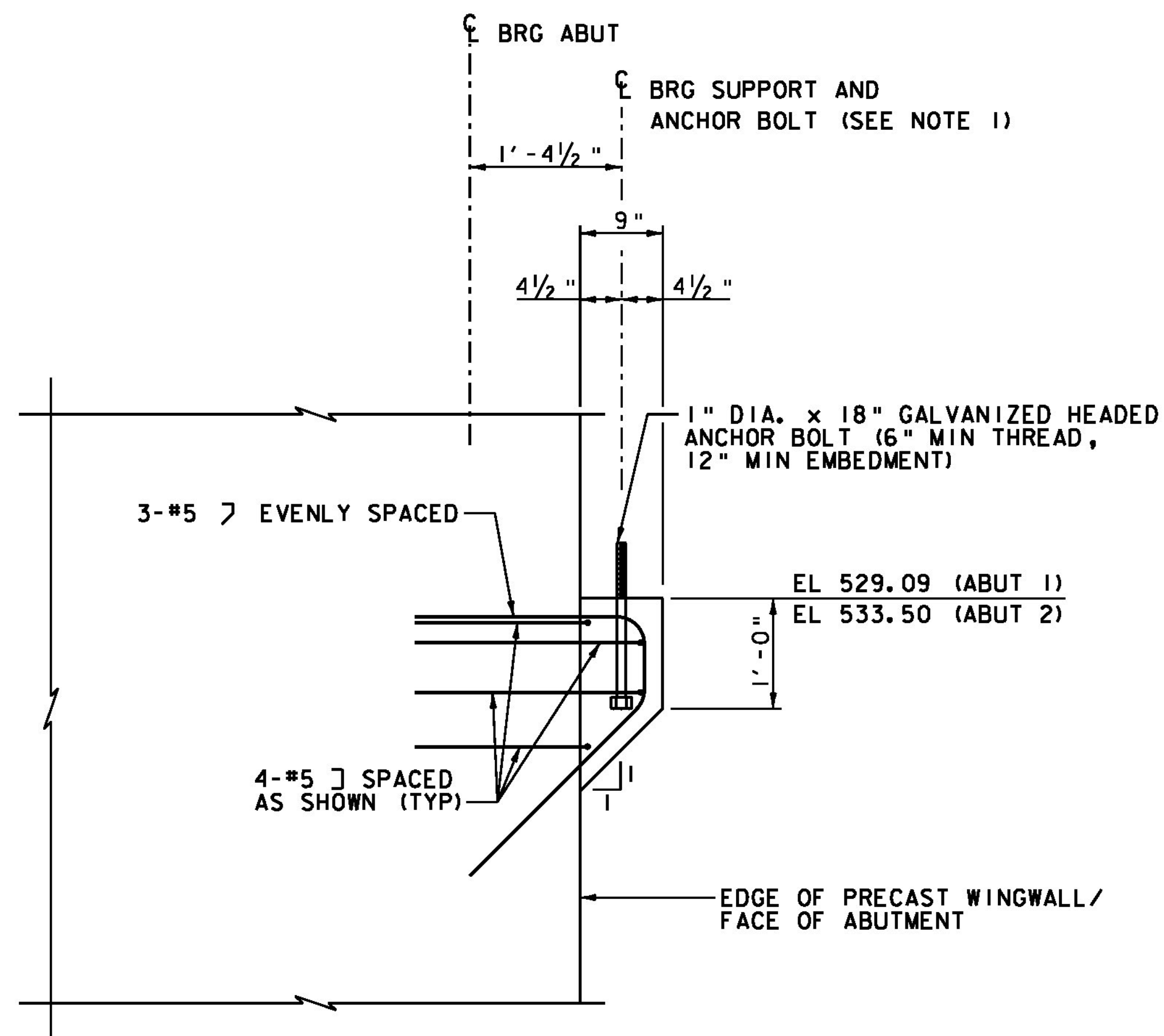
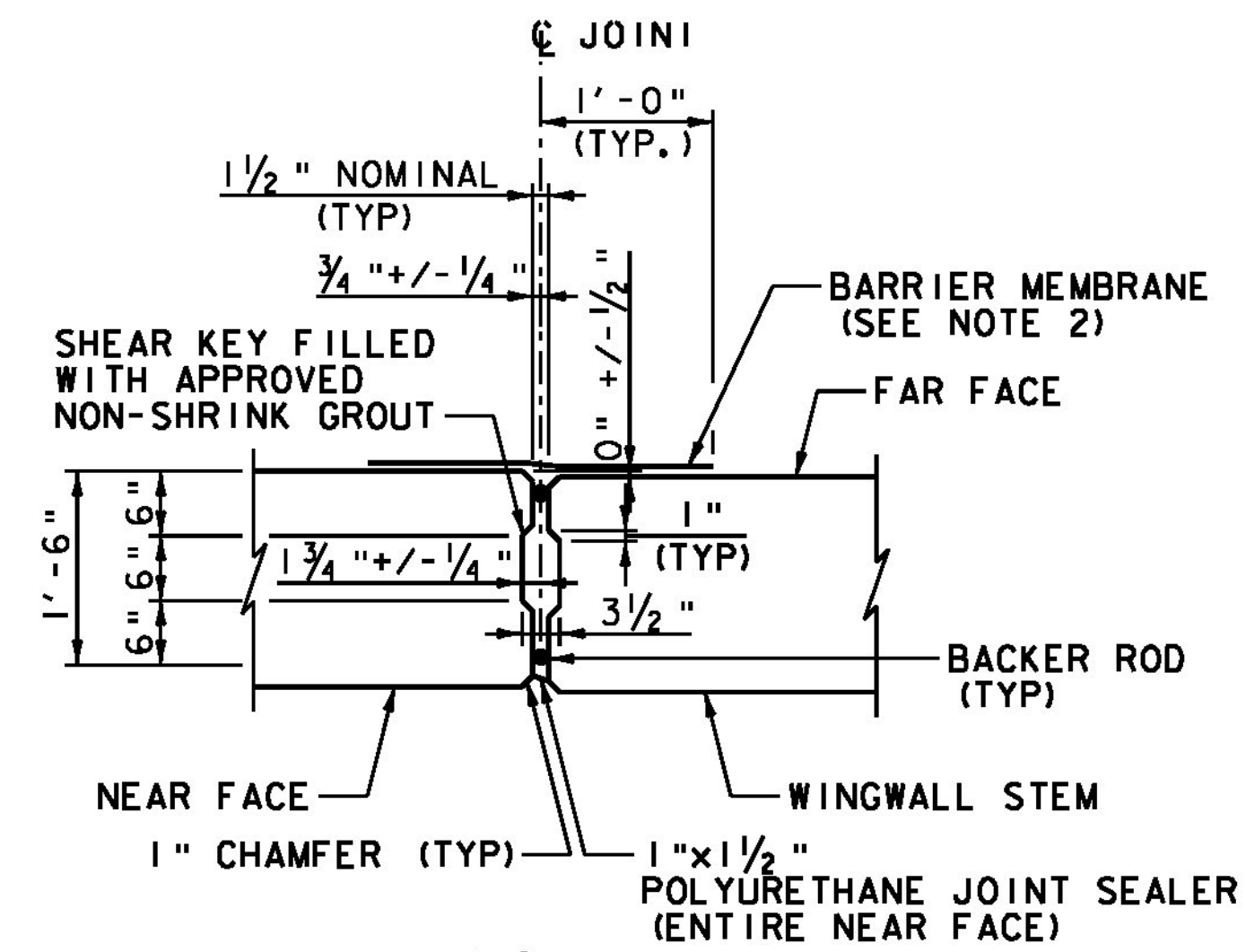


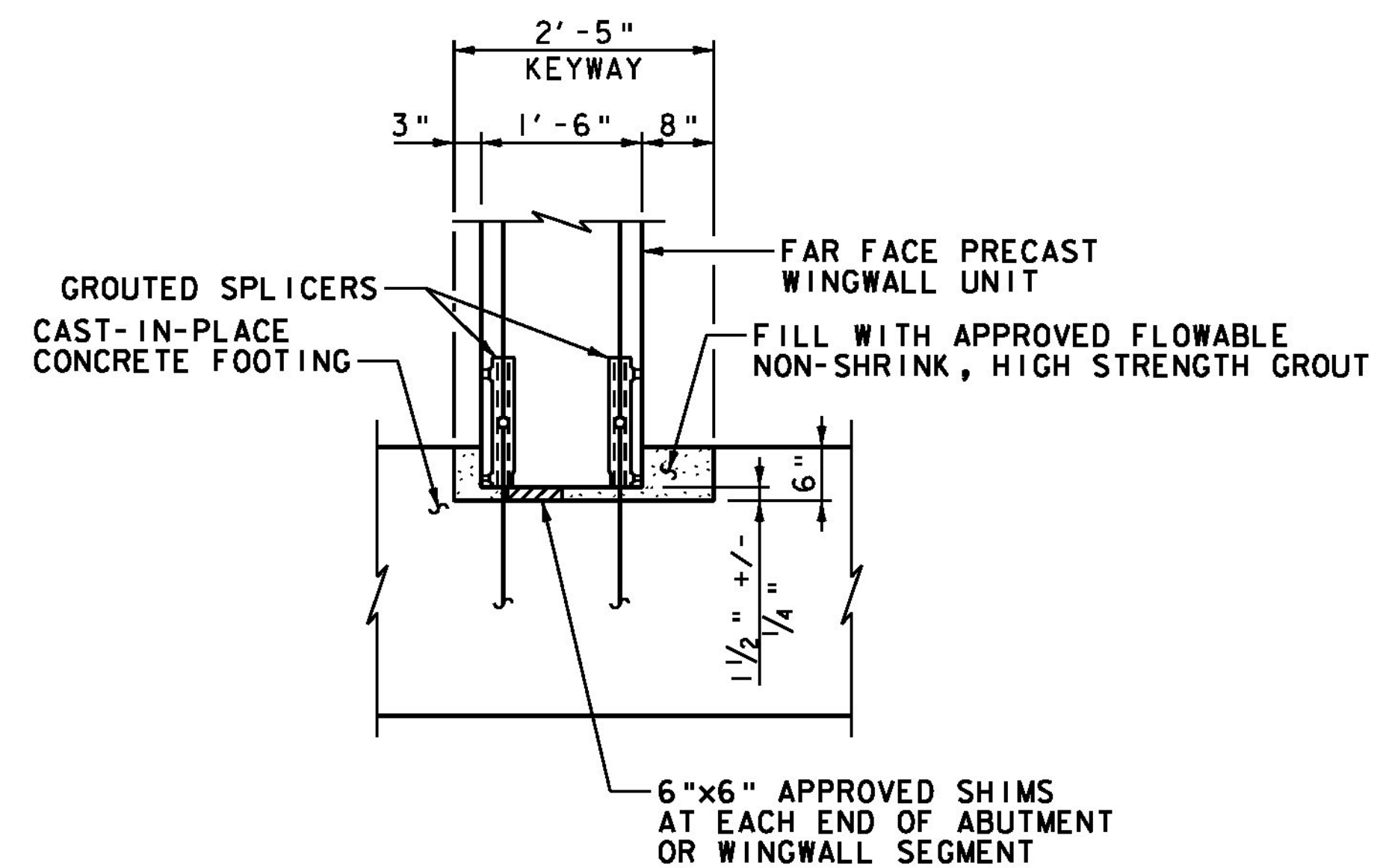
CORBEL PLAN
SCALE 1" = 1'-0"



SECTION A-A
SCALE 1" = 1'-0"



WINGWALL STEM VERTICAL JOINT
SCALE 3/4" = 1'-0"



WINGWALL STEM TO FOOTING CONNECTION
SCALE 3/4" = 1'-0"

NOTES:

- SEE SUPPORT BEAM DETAILS SHEETS FOR SUPPORT BEAM DETAILS AND ADDITIONAL INFORMATION.
- BARRIER MEMBRANE SHALL BE ONE OF THE FOLLOWING PRODUCTS:

MANUFACTURER	PRODUCT
PROTECTO WRAP CO.	JIFFY SEAL 140/60 COLD WEATHER
ROYSTON LABORATORIES INC.	104-AHT
W.R. GRACE	LO TEMP MEMBRANE

INSTALLATION SHALL MEET ALL OF THE MANUFACTURER'S REQUIREMENTS.

PROJECT NAME: MIDDLEBURY

PROJECT NUMBER: RS 0174(8)

FILE NAME: z78f217sub.dgn
PROJECT LEADER: M.A. COLGAN
DESIGNED BY: K.G. KRETSCH
WINGWALL DETAILS (2 OF 2)

PLOT DATE: 8/27/2013
DRAWN BY: K.D. WENTWORTH
CHECKED BY: G.S. GOODRICH
SHEET 68 OF 104