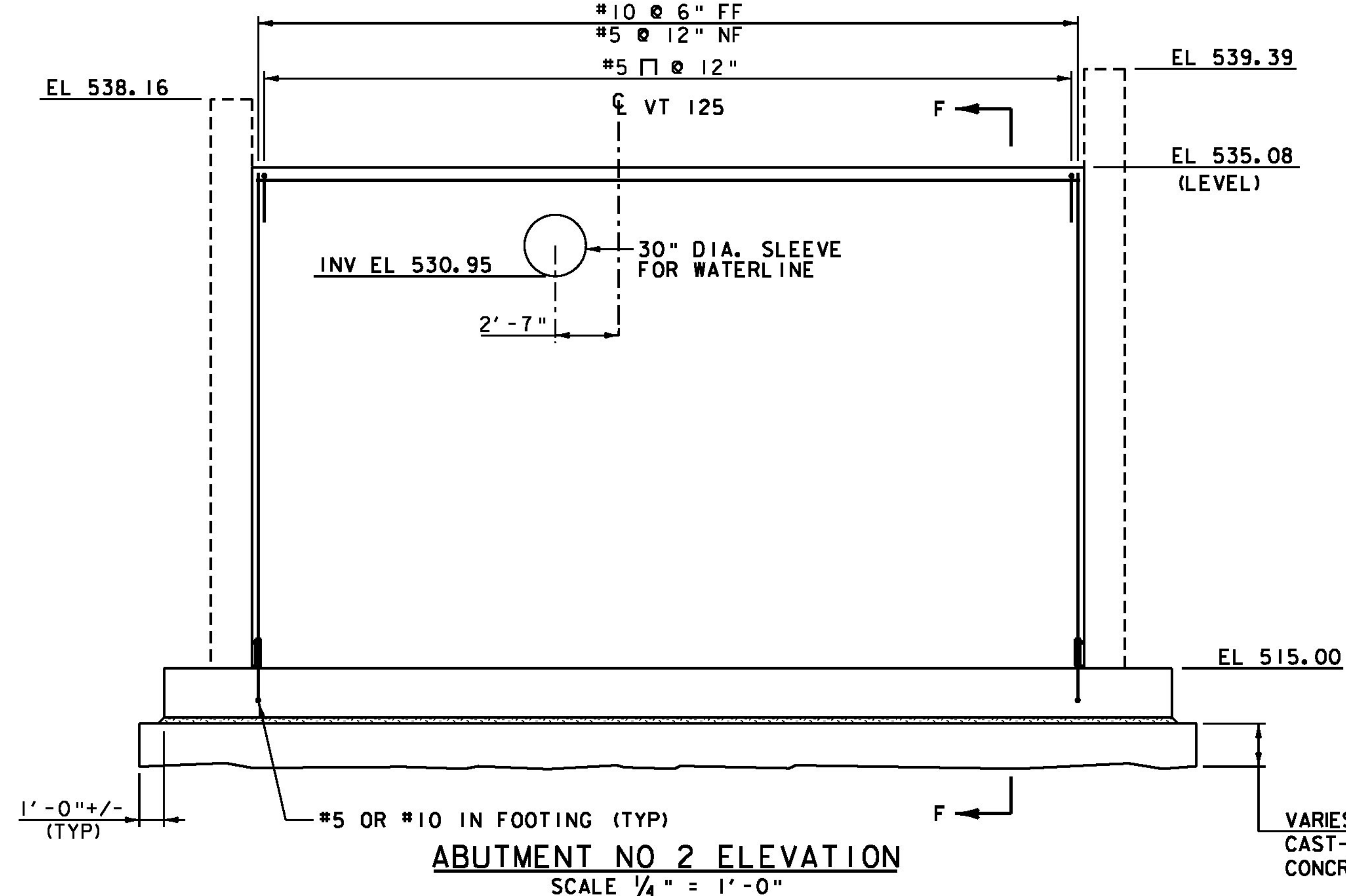
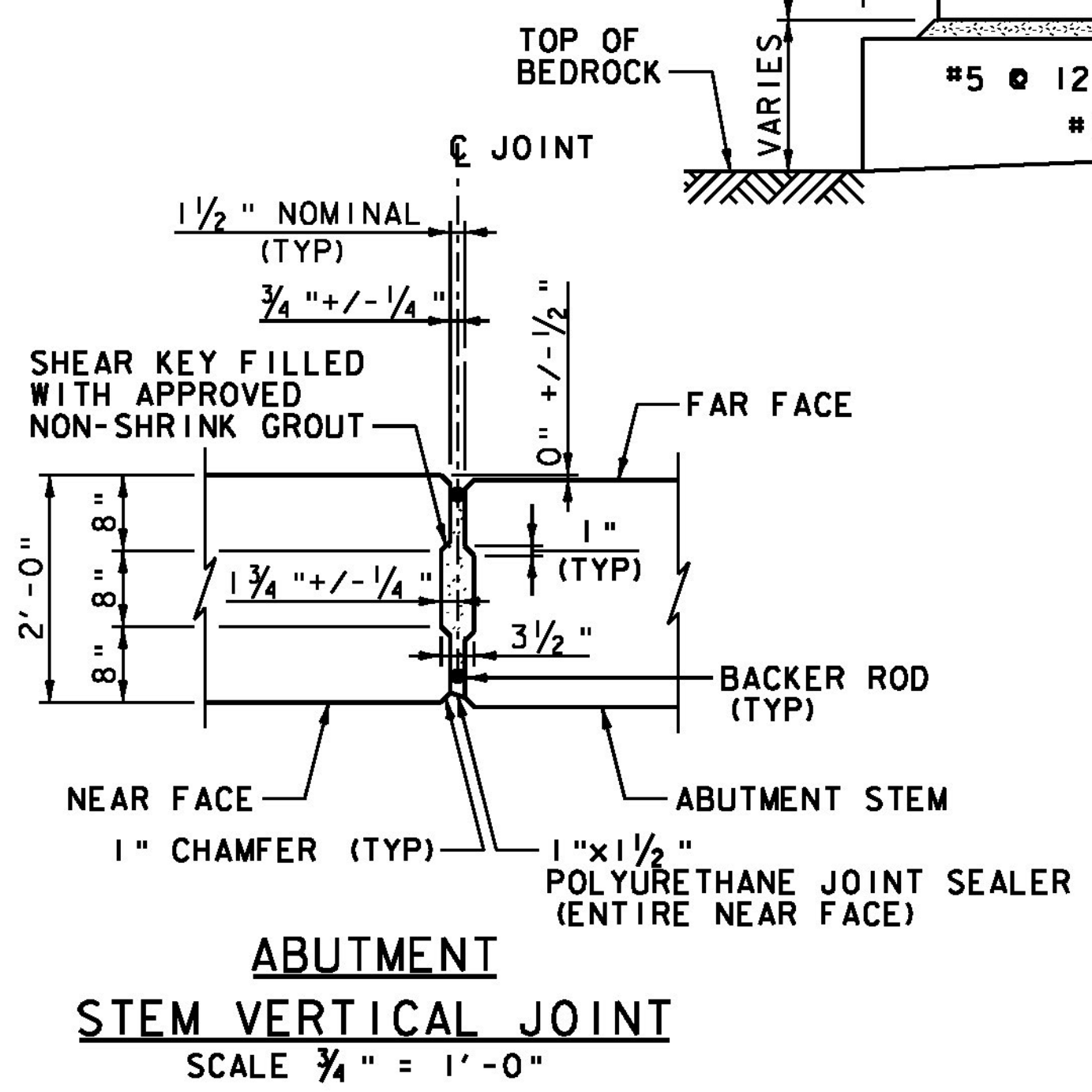


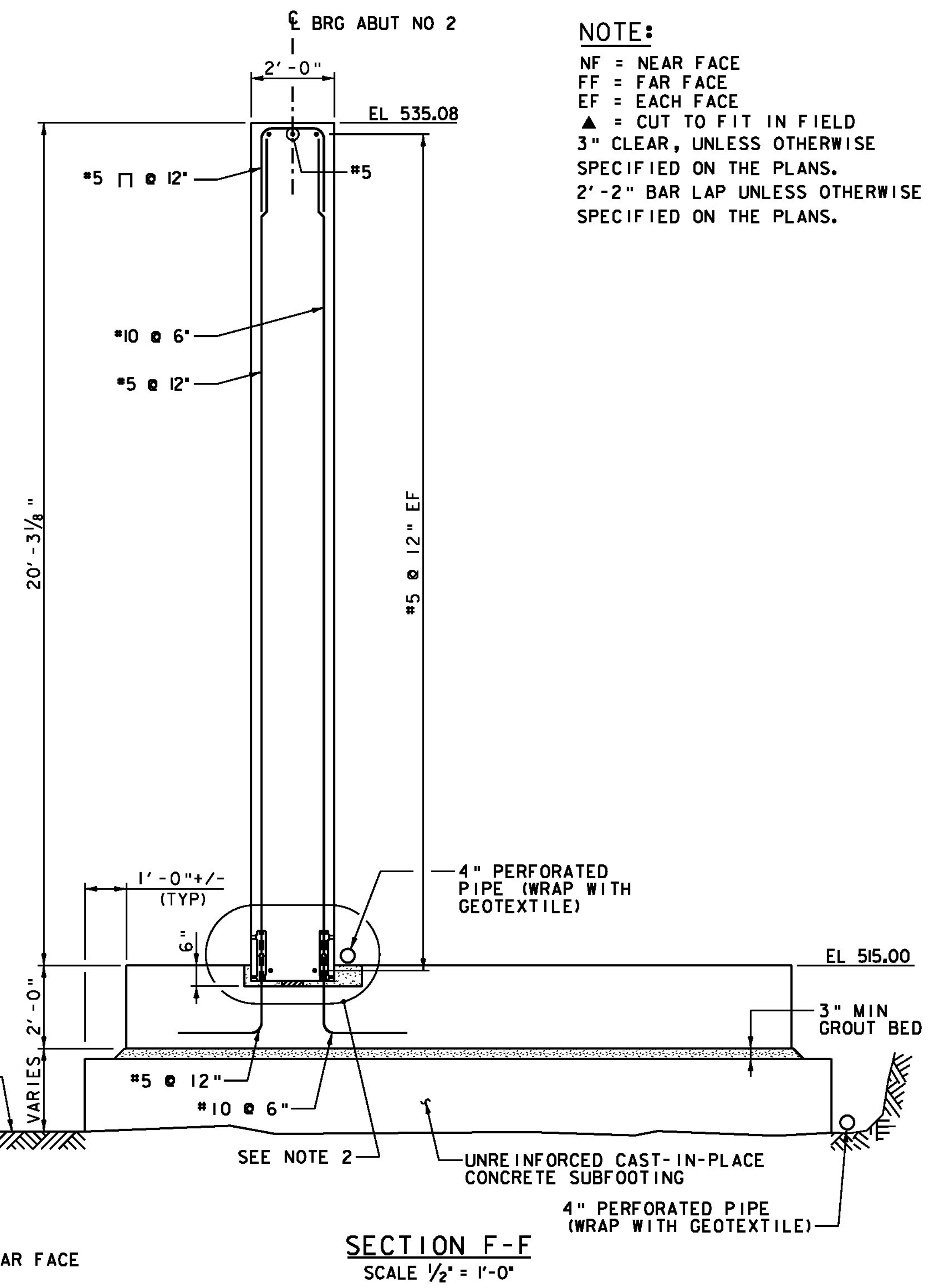
ABUTMENT NO 2 PLAN
SCALE 1/4" = 1'-0"



ABUTMENT NO 2 ELEVATION
SCALE 1/4" = 1'-0"



ABUTMENT STEM VERTICAL JOINT
SCALE 3/4" = 1'-0"



SECTION F-F
SCALE 1/2" = 1'-0"

NOTE:
 NF = NEAR FACE
 FF = FAR FACE
 EF = EACH FACE
 ▲ = CUT TO FIT IN FIELD
 3" CLEAR, UNLESS OTHERWISE SPECIFIED ON THE PLANS.
 2'-2" BAR LAP UNLESS OTHERWISE SPECIFIED ON THE PLANS.

- NOTES:**
1. SEE WINGWALL DETAILS SHEET FOR DETAIL C AND DETAIL D.
 2. SEE ABUTMENT STEM TO FOOTING CONNECTION DETAILS ON ABUTMENT NO 1 PLAN AND ELEVATION.
 3. SEE FOOTING SHEETS FOR FOOTING AND SUBFOOTING DETAILS.

PROJECT NAME: MIDDLEBURY	PLOT DATE: 8/27/2013
PROJECT NUMBER: RS 0174(8)	DRAWN BY: K.D. WENTWORTH
FILE NAME: z78f217sub.dgn	CHECKED BY: G.S. GOODRICH
PROJECT LEADER: M.A. COLGAN	DESIGNED BY: K.G. KRETSCH
ABUTMENT NO 2 PLAN AND ELEVATION SHEET 62 OF 104	

