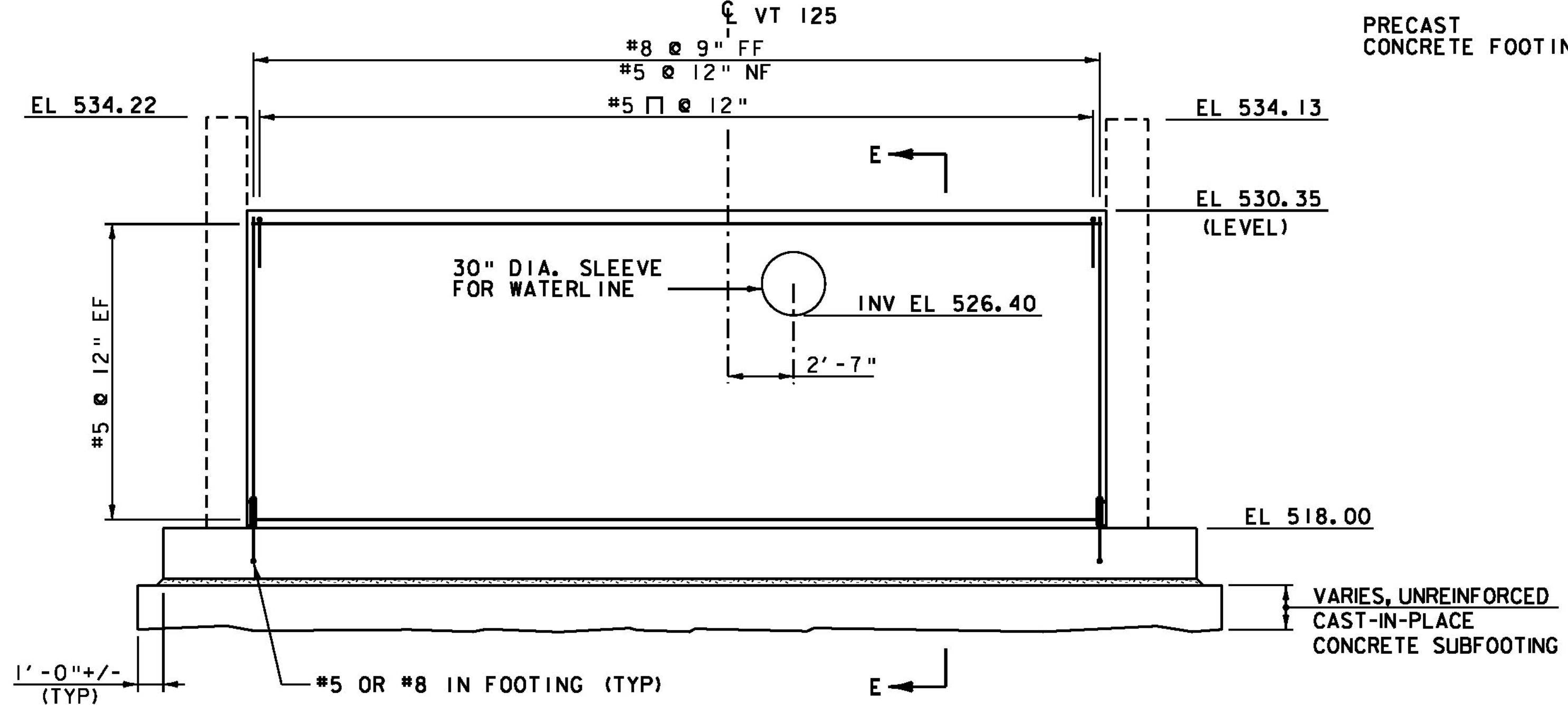
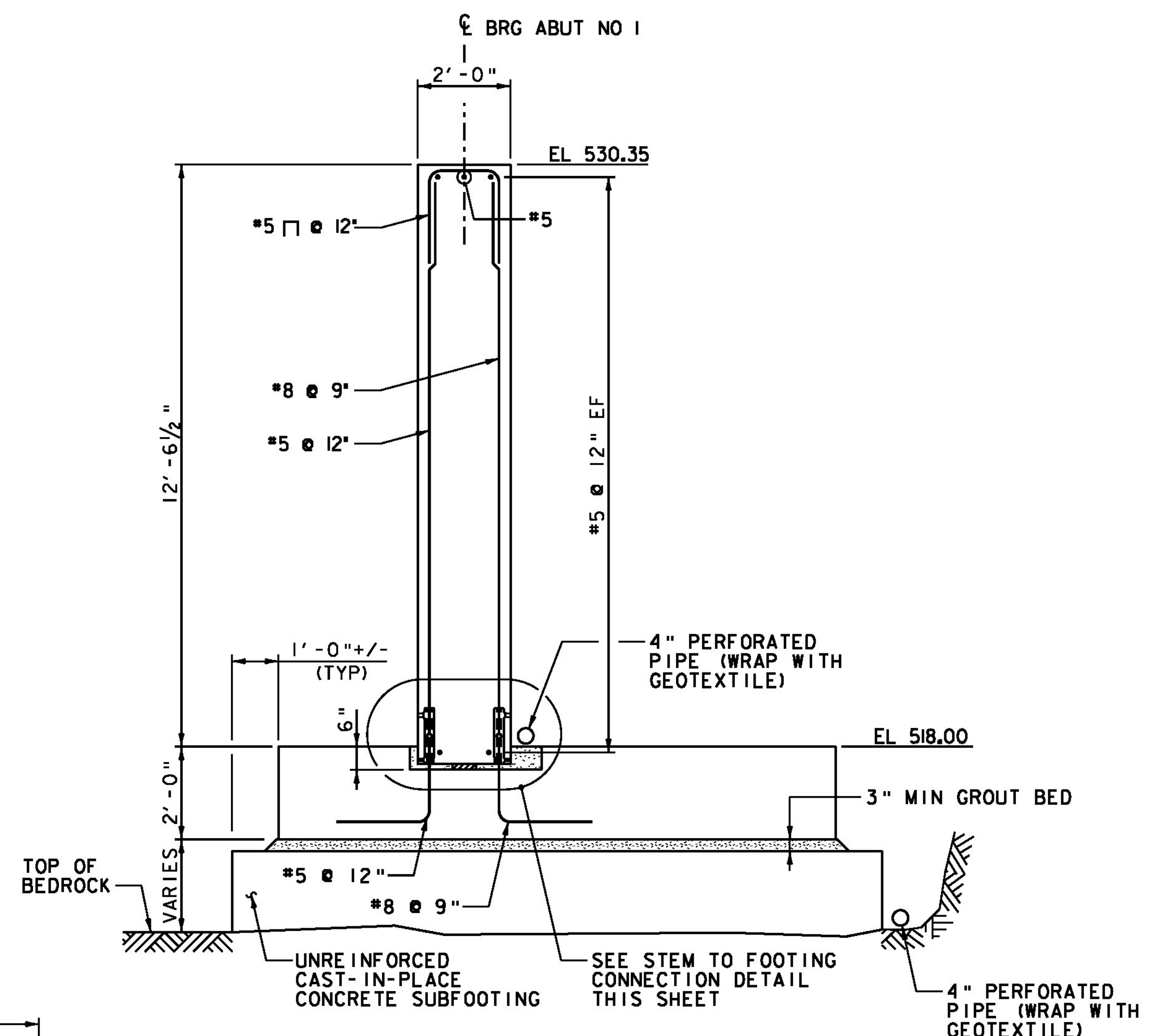
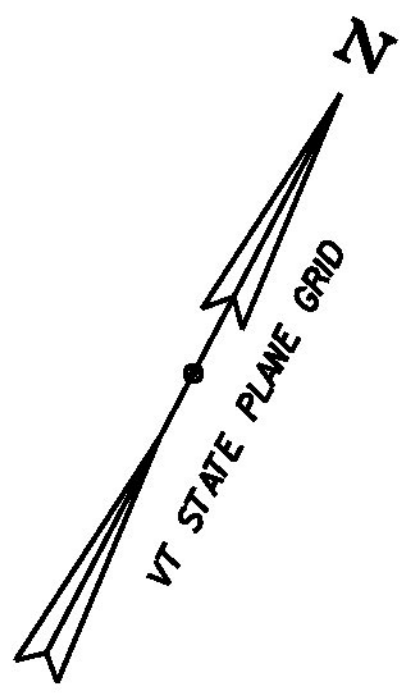


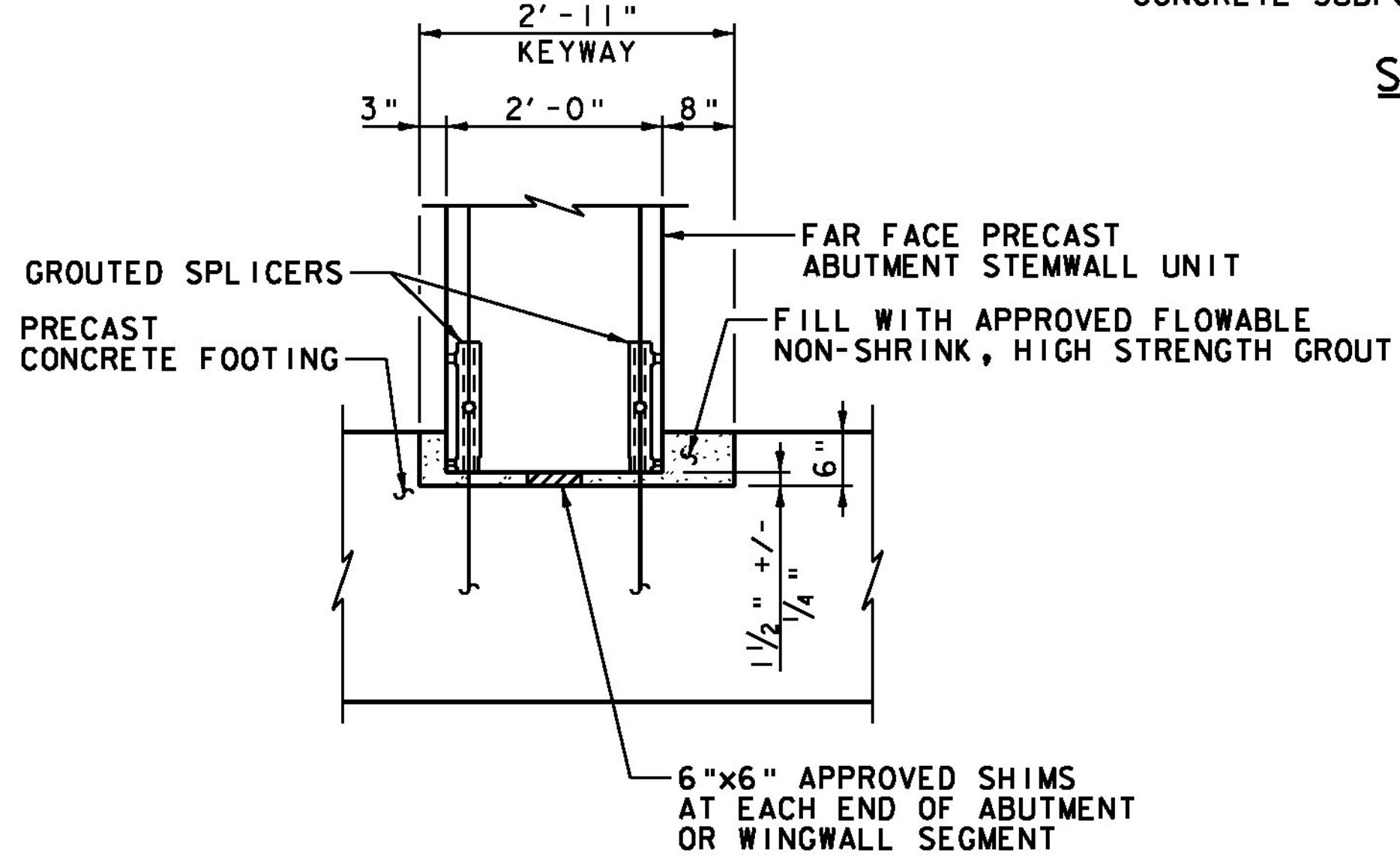
ABUTMENT NO 1 PLAN
SCALE 1/4" = 1'-0"



ABUTMENT NO 1 ELEVATION
SCALE 1/4" = 1'-0"



SECTION E-E
SCALE 1/2" = 1'-0"



ABUTMENT STEM TO FOOTING CONNECTION
SCALE 3/4" = 1'-0"

NOTE:
NF = NEAR FACE
FF = FAR FACE
EF = EACH FACE
▲ = CUT TO FIT IN FIELD
3" CLEAR, UNLESS OTHERWISE SPECIFIED ON THE PLANS.
2'-2" BAR LAP UNLESS OTHERWISE SPECIFIED ON THE PLANS.

- NOTES:**
1. SEE WINGWALL DETAILS SHEET FOR DETAIL A AND DETAIL B.
 2. SEE ABUTMENT NO 2 PLAN AND ELEVATION SHEET FOR ABUTMENT STEM VERTICAL JOINT DETAILS.
 3. SEE FOOTING SHEETS FOR FOOTING AND SUBFOOTING DETAILS.

PROJECT NAME:	MIDDLEBURY
PROJECT NUMBER:	RS 0174(8)
FILE NAME:	z78f217sub.dgn
PROJECT LEADER:	M.A. COLGAN
DESIGNED BY:	K.G. KRETSCH
ABUTMENT NO 1 PLAN AND ELEVATION	
PLOT DATE:	8/27/2013
DRAWN BY:	K.D. WENTWORTH
CHECKED BY:	G.S. GOODRICH
	SHEET 61 OF 104