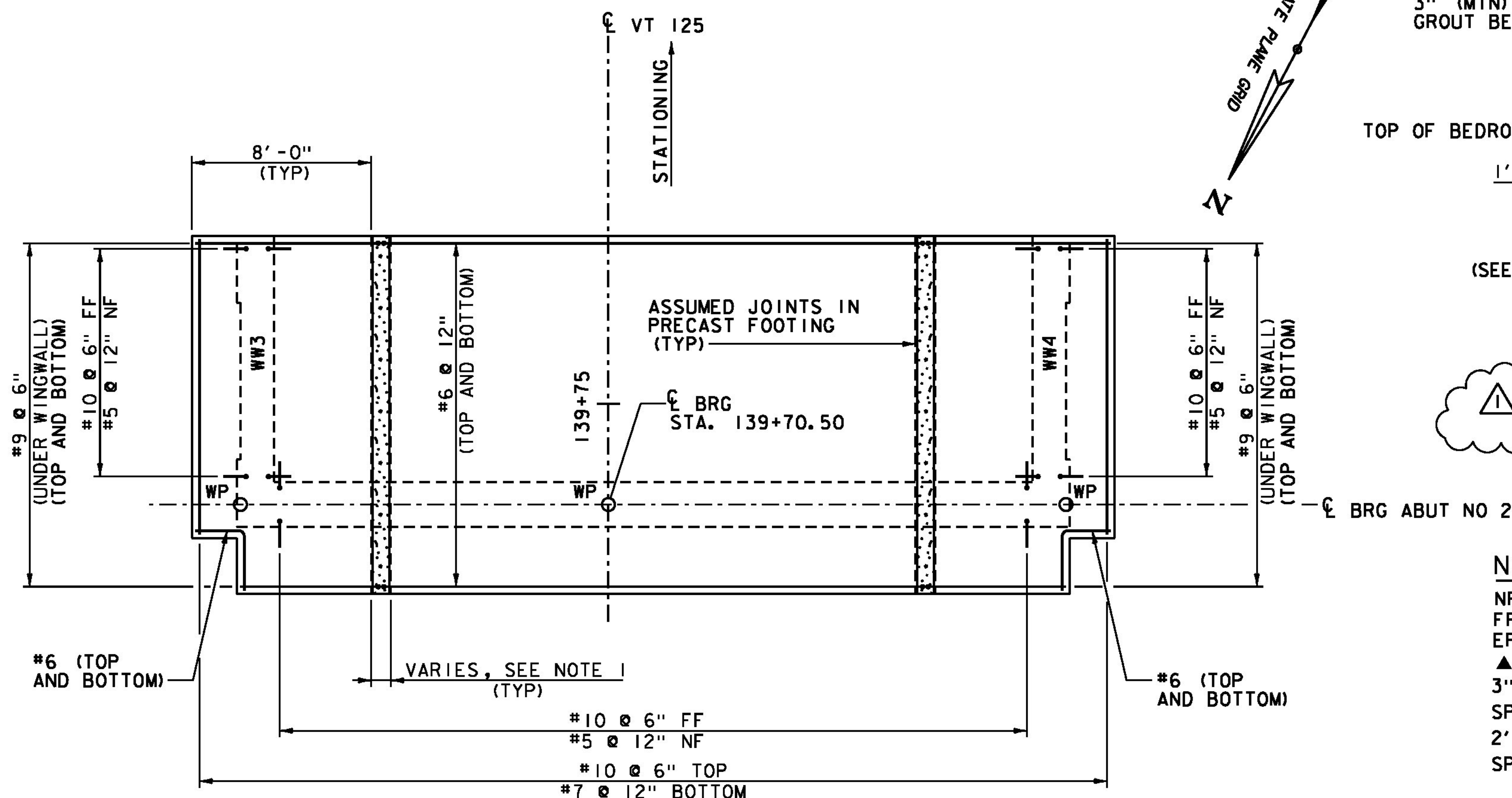
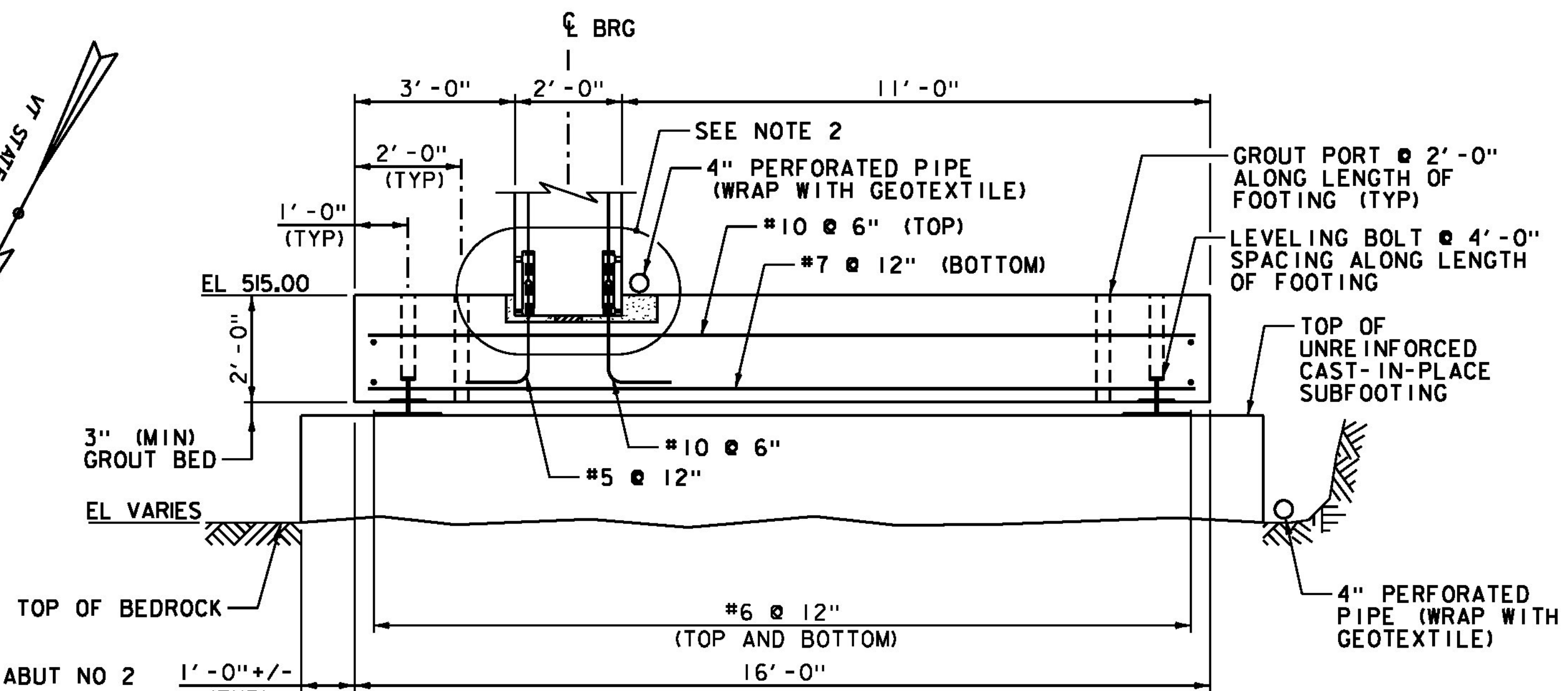


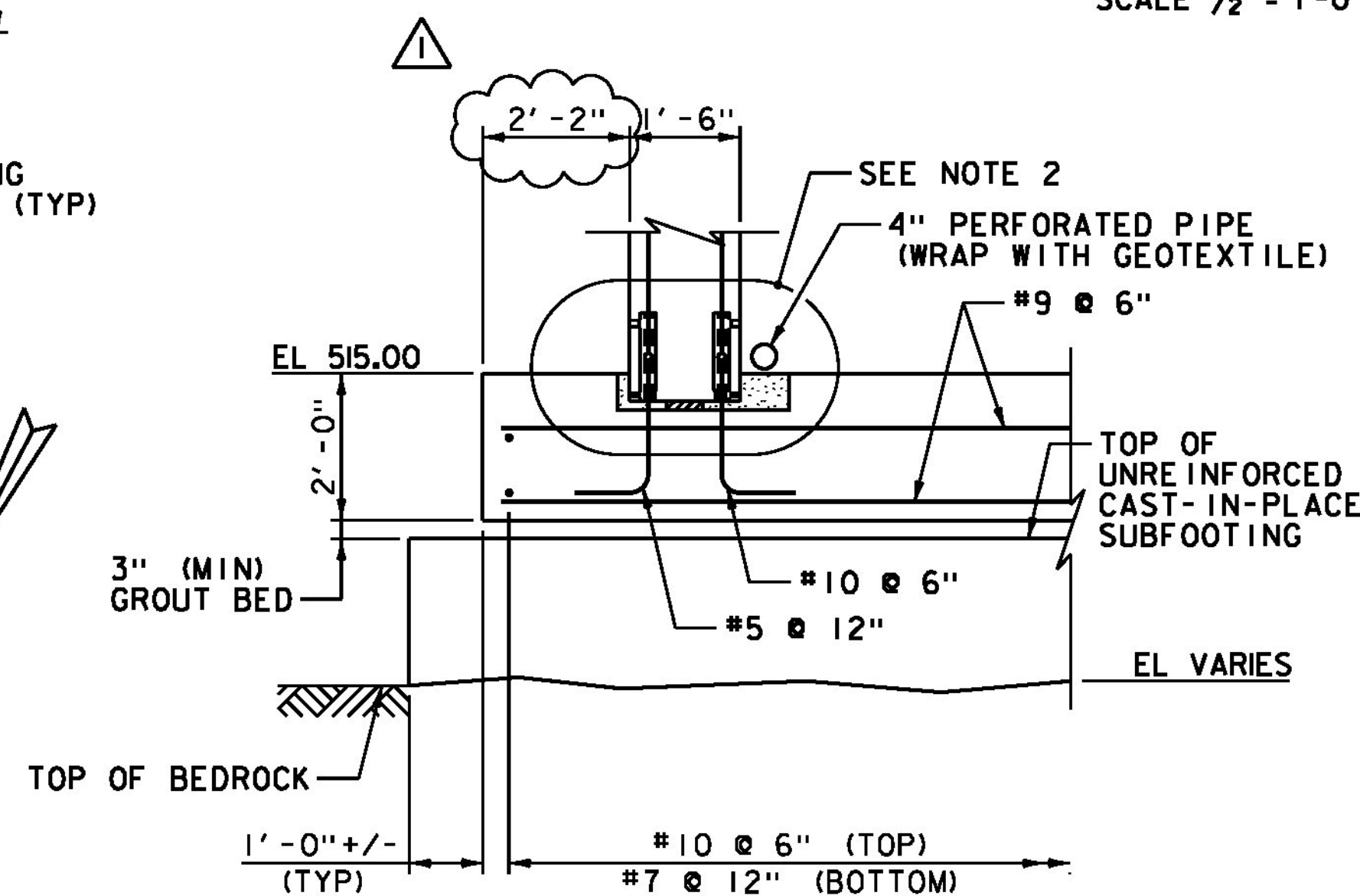
ABUTMENT NO 2 MASONRY FOOTING PLAN
SCALE 1/4" = 1'-0"



ABUTMENT NO 2 FOOTING REINFORCING PLAN
SCALE 1/4" = 1'-0"

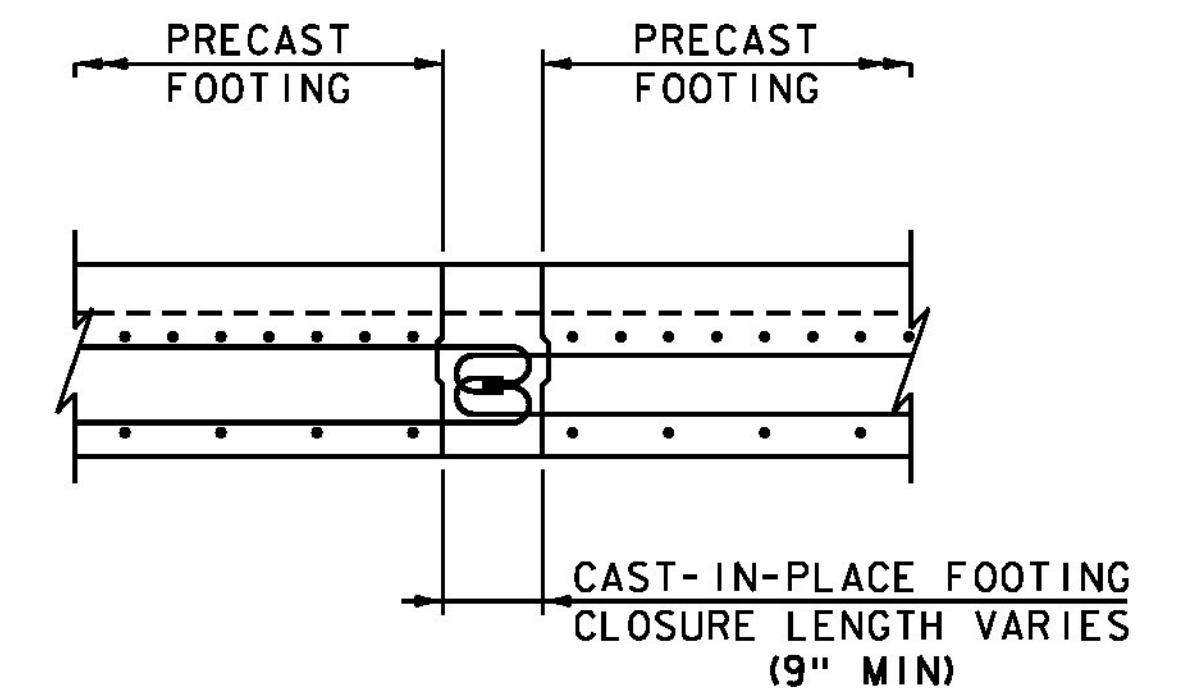


SECTION C-C
SCALE 1/2" = 1'-0"



SECTION D-D

(SEE SECTION C-C FOR GROUT PORT AND LEVELING BOLT LOCATIONS)
SCALE 1/2" = 1'-0"



PRECAST FOOTING CLOSURE POUR DETAIL
NOT TO SCALE

REVISION: DIMENSION,
NOVEMBER 13, 2013

NOTE:

NF = NEAR FACE
FF = FAR FACE
EF = EACH FACE
▲ = CUT TO FIT IN FIELD
3" CLEAR, UNLESS OTHERWISE SPECIFIED ON THE PLANS.
2'-2" BAR LAP UNLESS OTHERWISE SPECIFIED ON THE PLANS.

NOTES:

1. LENGTH OF PRECAST FOOTING SECTIONS AND LENGTHS OF CAST-IN-PLACE SECTIONS TO BE BASED ON SHIPPING WEIGHT AND SIZE REQUIREMENTS. THE PRECAST SECTIONS SHALL BE ADEQUATE TO SUPPORT THE DEAD WEIGHT OF THE ABUTMENTS. THE CAST-IN-PLACE SECTIONS CAN BE COMPLETED TO SUPPORT THE TOTAL WEIGHT OF STRUCTURE AND LIVE LOAD.
2. SEE STEM TO FOOTING CONNECTION DETAIL ON ABUTMENT NO 1 PLAN AND ELEVATION SHEET.
3. IF A LEVEL SURFACE OF COMPETENT BEDROCK, A MINIMUM OF 3 INCHES AND A MAXIMUM OF 6 INCHES BELOW BOTTOM OF PRECAST FOOTING, CAN BE PREPARED AND APPROVED BY THE VTRANS GEOLOGIST, A CAST-IN-PLACE UNREINFORCED CONCRETE SUBFOOTING IS NOT REQUIRED. IN THIS CASE, A THREE INCH MINIMUM GROUT BED SHALL BE PLACED BETWEEN THE PRECAST FOOTING AND THE COMPETENT BEDROCK SURFACE.

PROJECT NAME: MIDDLEBURY

PROJECT NUMBER: RS 0174(8)

FILE NAME: z78f217sub.dgn

PROJECT LEADER: M.A. COLGAN

DESIGNED BY: K.G. KRETSCH

ABUTMENT NO 2 FOOTING

PLOT DATE: 11/13/2013

DRAWN BY: K.D. WENTWORTH

CHECKED BY: G.S. GOODRICH

SHEET 60 OF 104