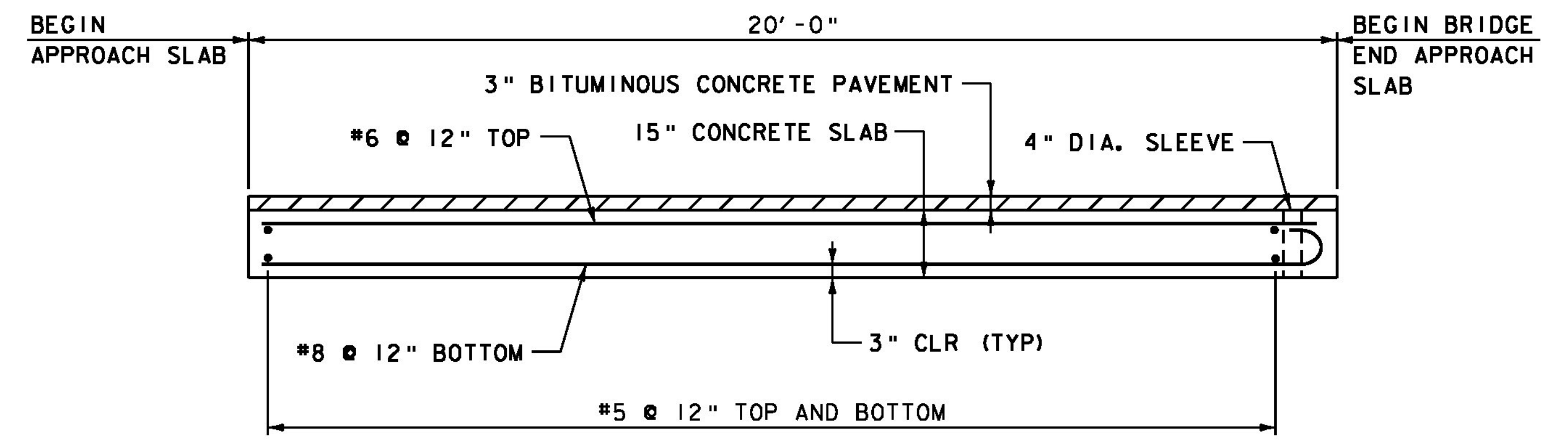
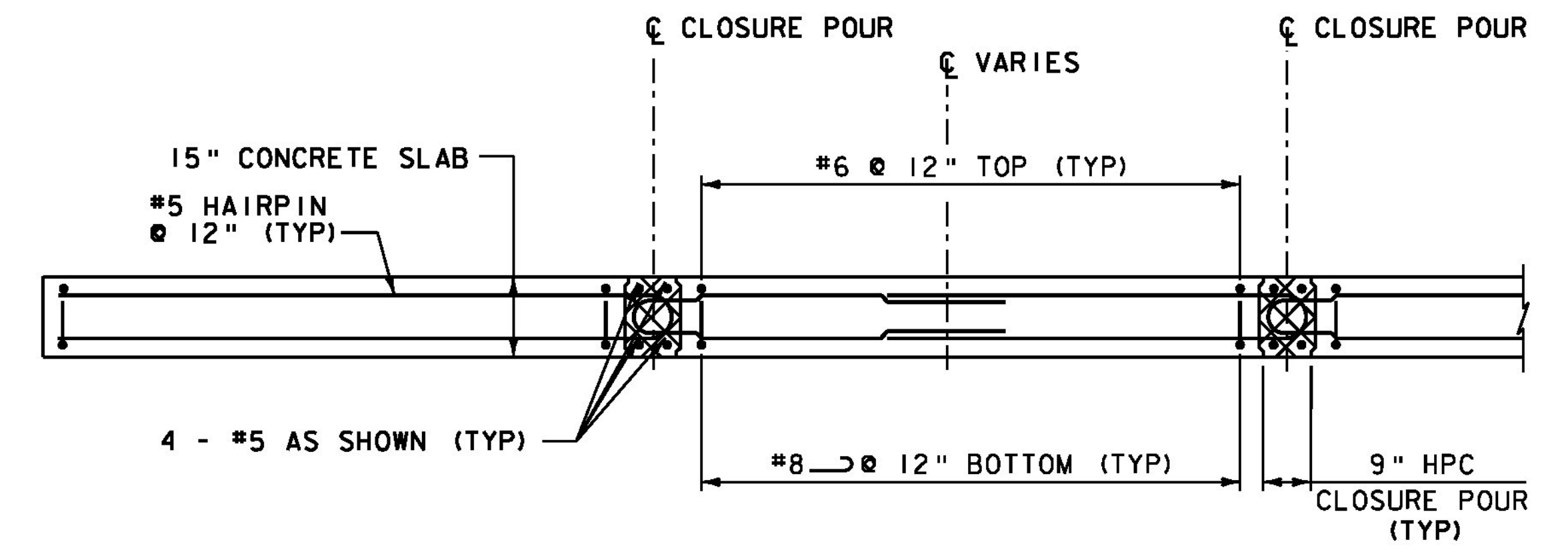


APPROACH SLAB NO. 1 PLAN  
SCALE 1/2" = 1'-0"

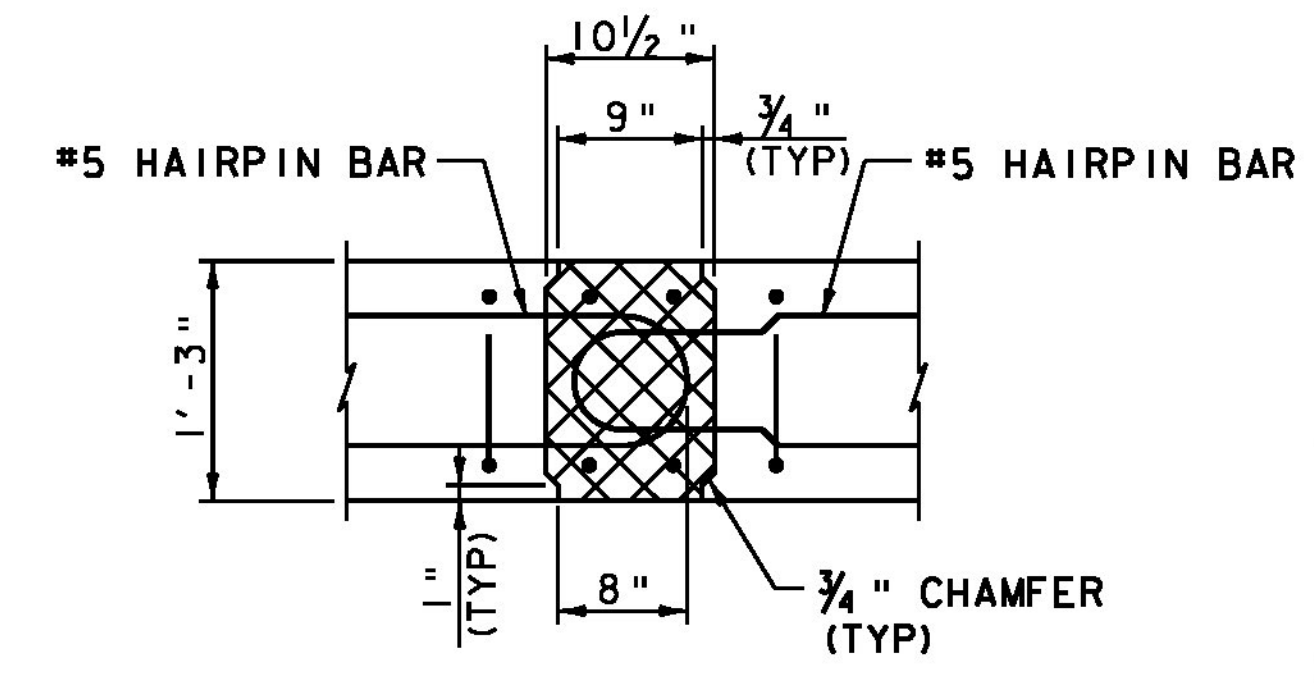
= LIMITS OF HPC CLOSURE POUR



SECTION A-A  
SCALE 1/2" = 1'-0"



SECTION B-B  
SCALE 1/2" = 1'-0"



CLOSURE POUR  
SCALE 1" = 1'-0"

**NOTE:**  
 NF = NEAR FACE  
 FF = FAR FACE  
 EF = EACH FACE  
 ▲ = CUT TO FIT IN FIELD  
 3" CLEAR, UNLESS OTHERWISE SPECIFIED ON THE PLANS.  
 2'-2" BAR LAP UNLESS OTHERWISE SPECIFIED ON THE PLANS.

- NOTES:**
- LIFTING POINTS IN APPROACH SLAB TO BE LOCATED BY FABRICATOR.
  - 4" DIA. SLEEVES FOR APPROACH SLAB DOWELS ARE LOCATED TO AVOID JOINTS IN PRECAST CURTAIN WALLS. SEE CURTAIN WALL DETAILS SHEETS.
  - CONTRACTOR SHALL PROVIDE METHOD AND DETAILS FOR ESTABLISHING CONTINUOUS CONTACT WITH SUBGRADE AND SUPPORT FOR PRECAST APPROACH SLABS WITH FABRICATION DRAWINGS.

PROJECT NAME:	MIDDLEBURY
PROJECT NUMBER:	RS 0174(8)
FILE NAME:	z78f217slab.dgn
PROJECT LEADER:	M.A. COLGAN
DESIGNED BY:	L.S. CHERVINCKY
PRECAST APPROACH SLAB (1 OF 2)	
PLOT DATE:	8/27/2013
DRAWN BY:	B.J. MASSE
CHECKED BY:	G.S. GOODRICH
SHEET	56 OF 104