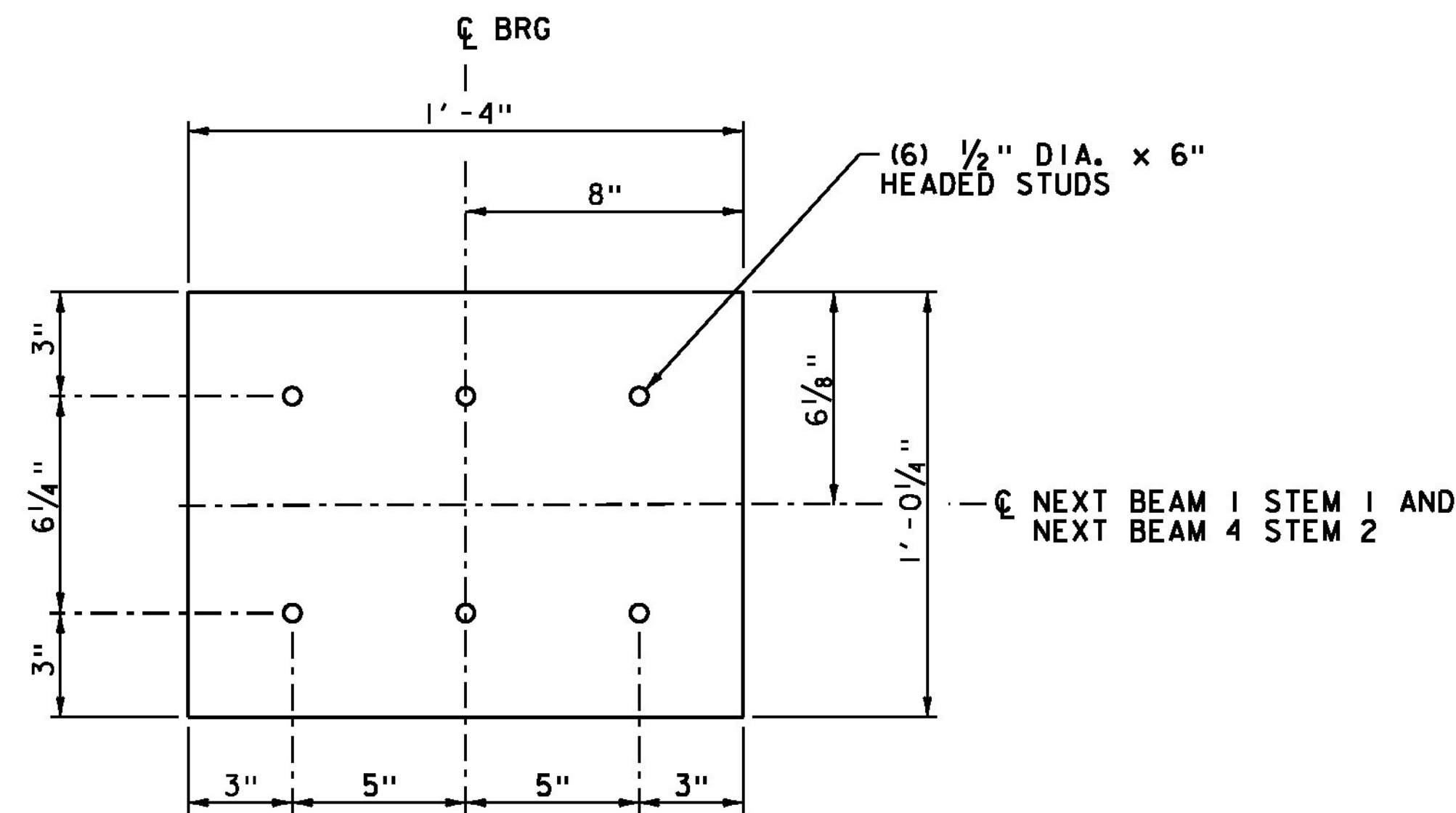
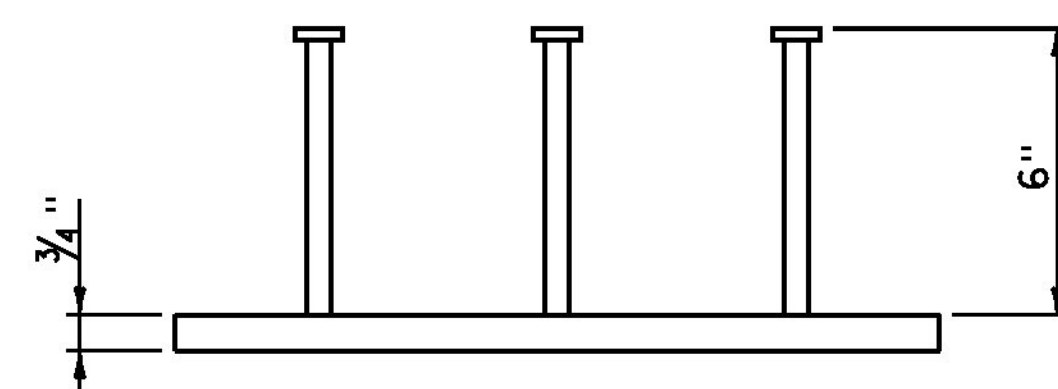


- * 2 - 1/2" INTERIOR ELASTOMER LAYERS
- 2 - 1/4" EXTERIOR ELASTOMER LAYERS
- 3 - 1/8" STEEL REINFORCING PLATES

ELASTOMERIC BEARING (FIXED)
SCALE 3" = 1'-0"

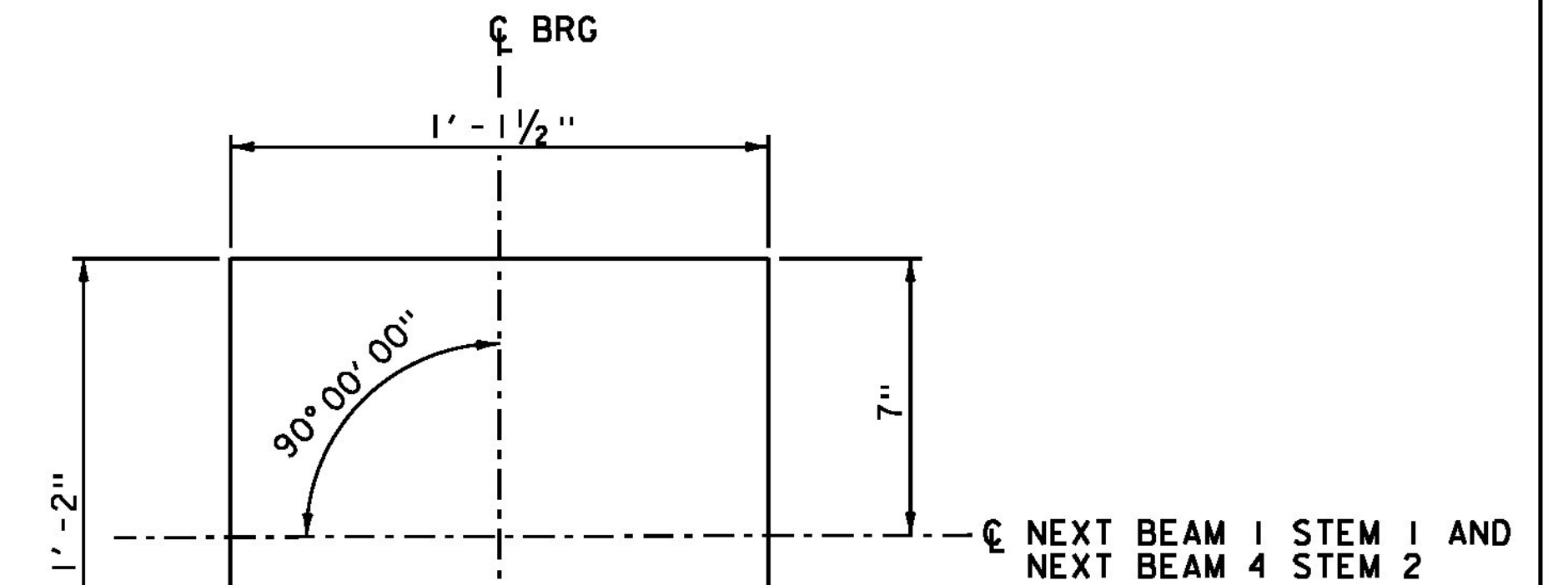


PLAN

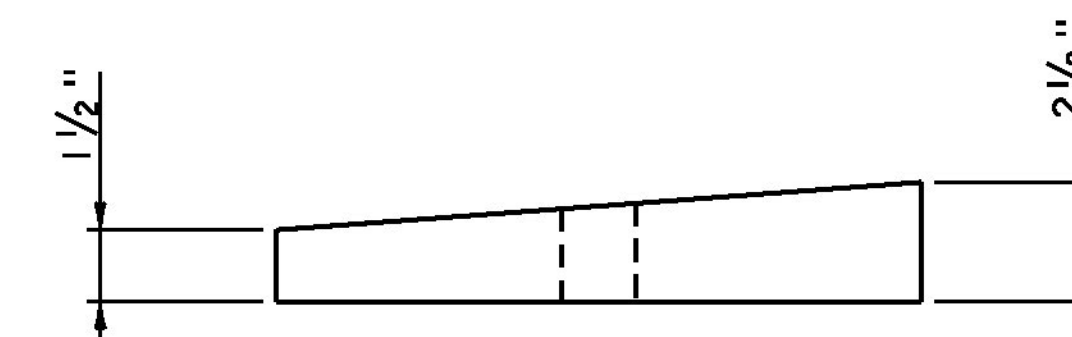


ELEVATION

EMBEDDED STEEL PLATE
SCALE 3" = 1'-0"

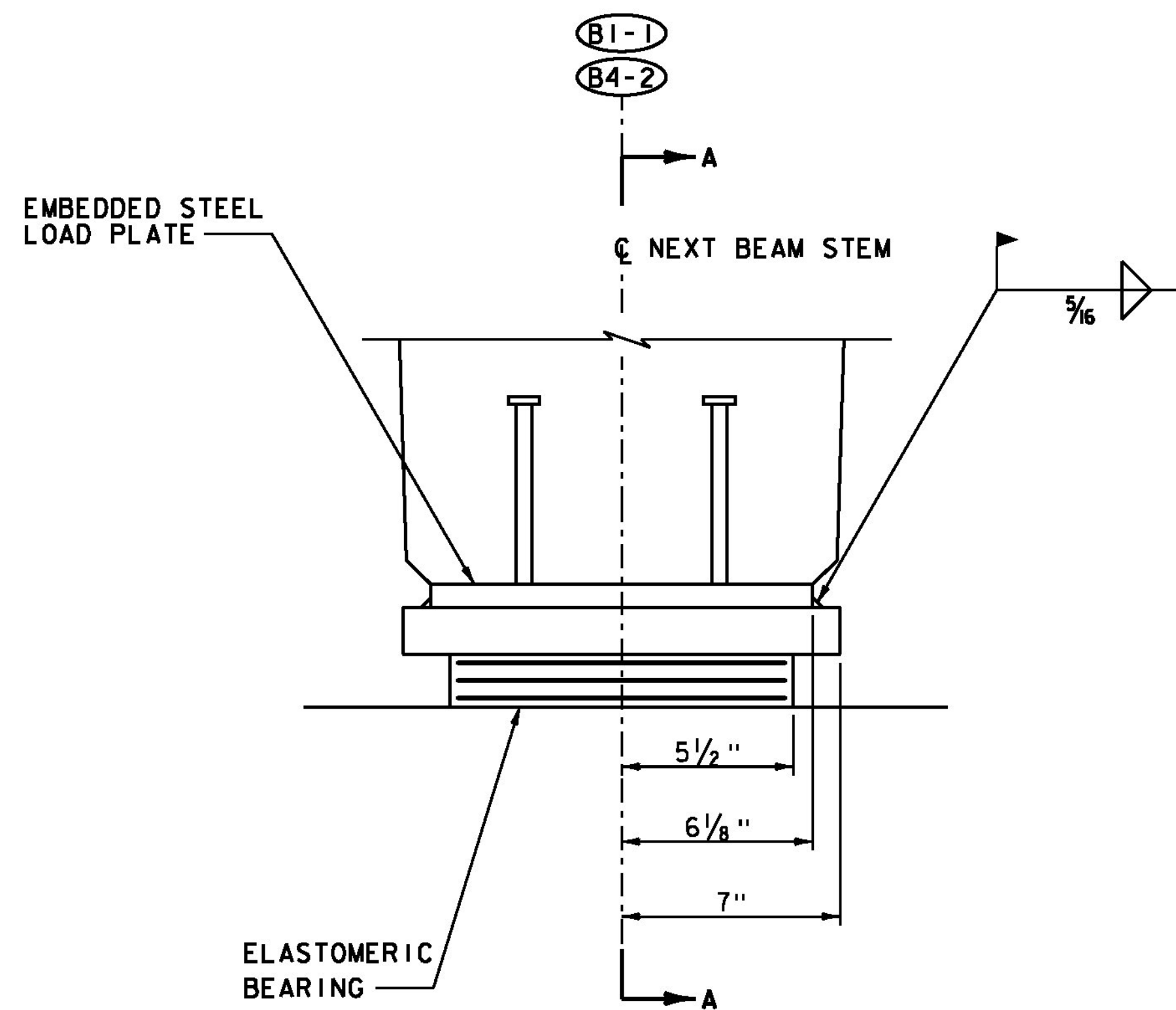


PLAN

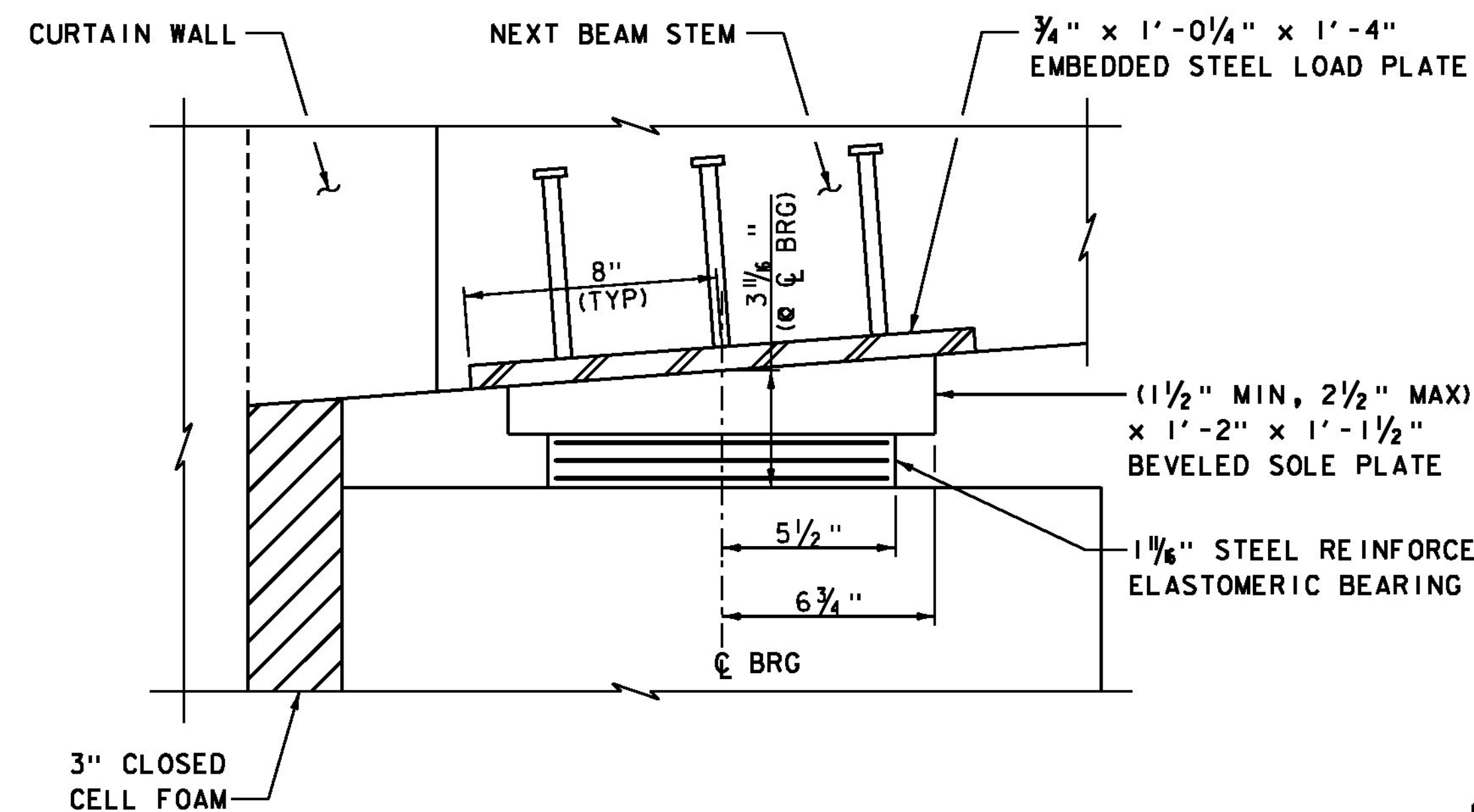


ELEVATION

BEVELED SOLE PLATE
(REQUIRED AT NEXT BEAM NO. 1 STEM 1 AND NEXT BEAM NO. 4 STEM 2 ONLY)
SCALE 3" = 1'-0"



FRONT ELEVATION



SECTION A-A

REVISION: NEW SHEET,
NOVEMBER 4, 2013

NOTES:

1. SEE BEARING DETAILS SHEET (2 OF 2) FOR ELASTOMERIC BEARING NOTES.
2. EMBEDDED STEEL LOAD PLATES SHALL BE PAID UNDER ITEM 900.640 "SPECIAL PROVISION (PRESTRESSED CONCRETE NEXT D BEAMS) (NEXT 28 D).
3. EXPANSION BEARING AT ABUTMENT 1 NEXT BEAM 1 STEM 1 AND NEXT BEAM 4 STEM 2 ONLY. ALL OTHER BEARING LOCATIONS AT ABUTMENT NO. 1 SHALL RECEIVE FIXED BEARINGS, SEE BEARING DETAILS SHEET (1 OF 2)

ABUTMENT NO 1 - EXPANSION BEARING DETAILS
(REQUIRED AT NEXT BEAM NO. 1 STEM 1 AND NEXT BEAM NO. 4 STEM 2 ONLY)
SCALE 3" = 1'-0"



PROJECT NAME: MIDDLEBURY	PLOT DATE: 11/4/2013
PROJECT NUMBER: RS 0174(8)	DRAWN BY: B.J. MASSE
FILE NAME: z78f217brga.dgn	CHECKED BY: G.S. GOODRICH
PROJECT LEADER: M.A. COLGAN	SHEET 54a OF 104
DESIGNED BY: K.G. KRETSCH	
BEARING DETAILS (1a OF 2)	