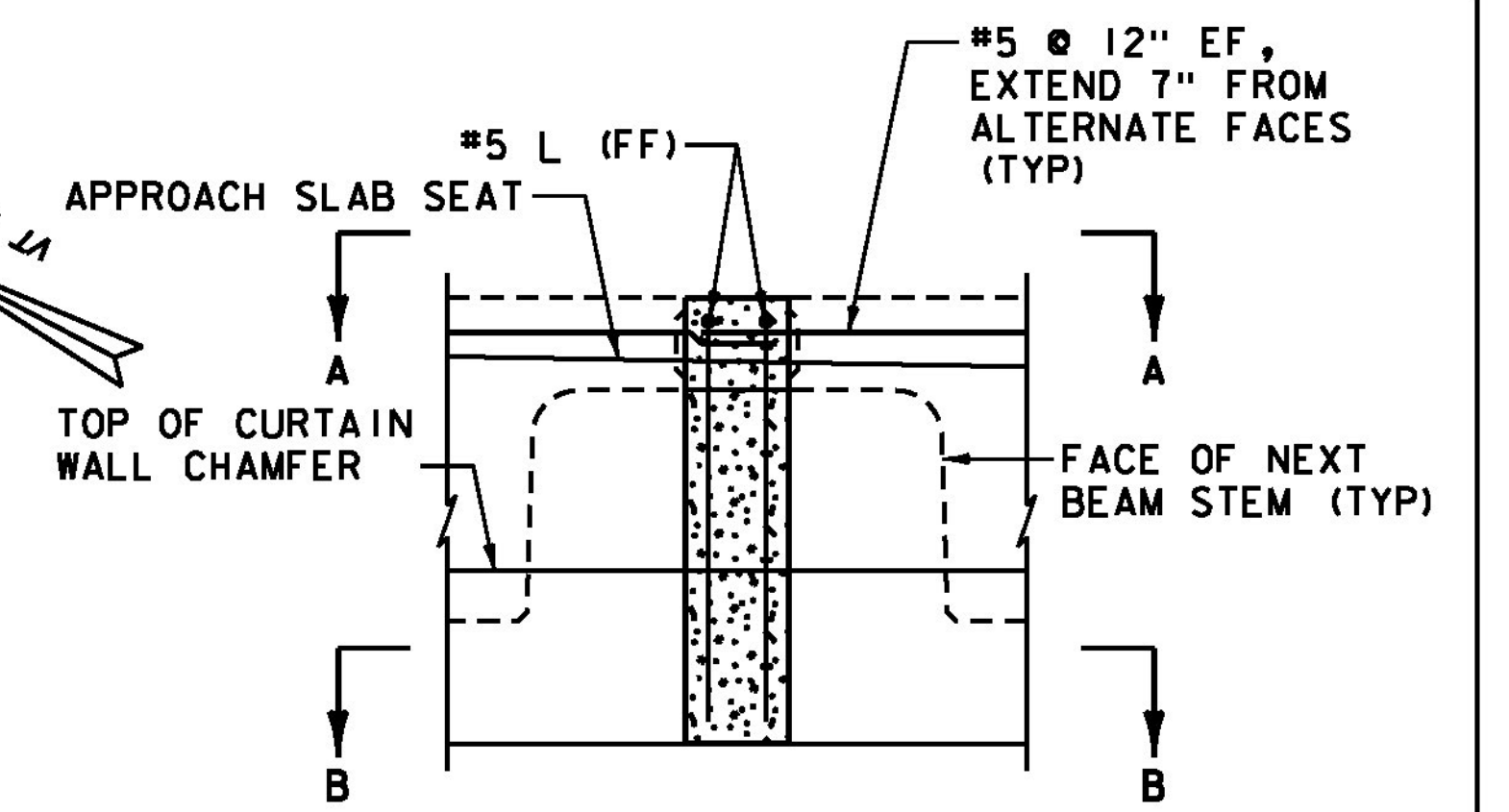
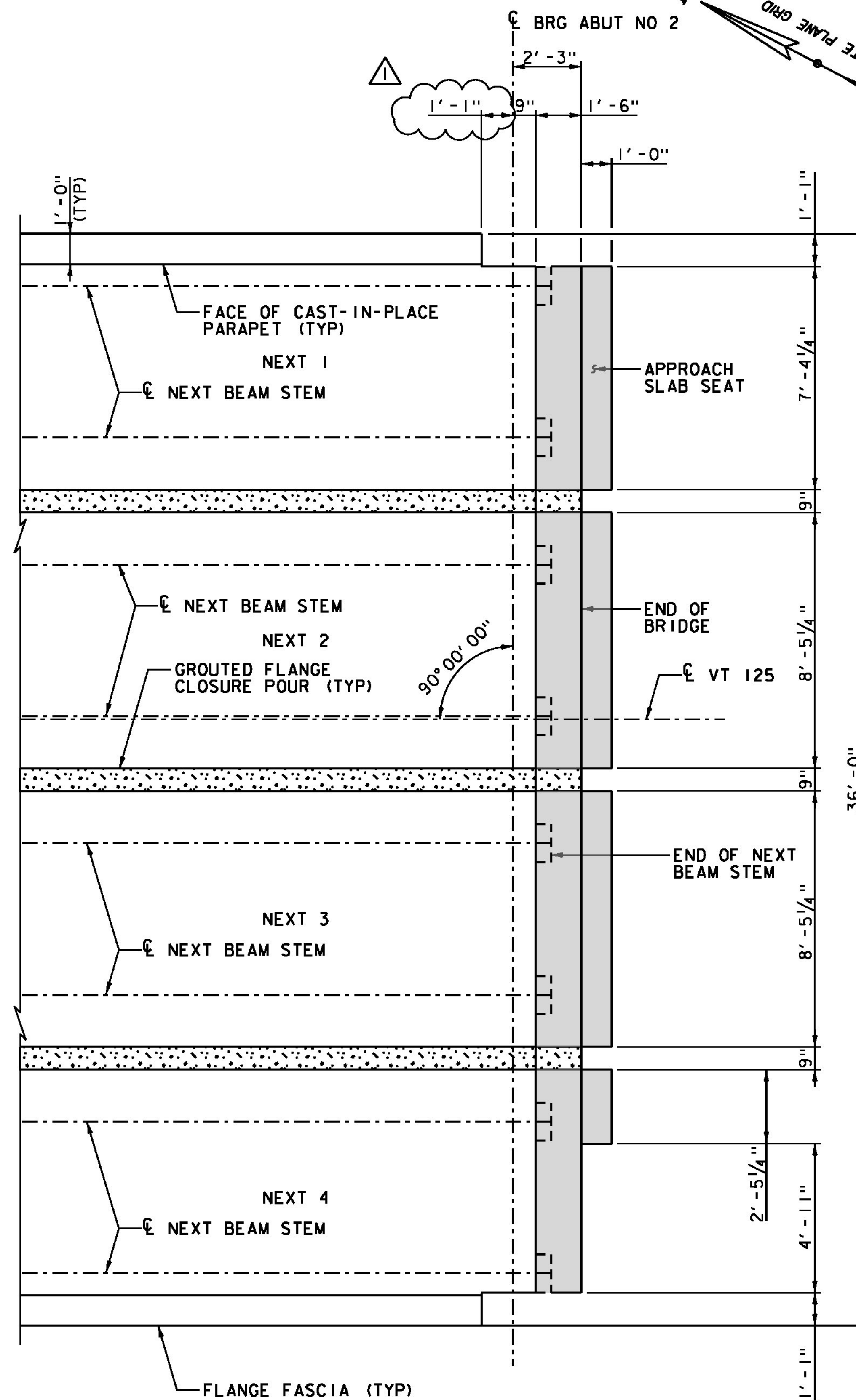


NEXT BEAM CURTAIN WALL PLAN

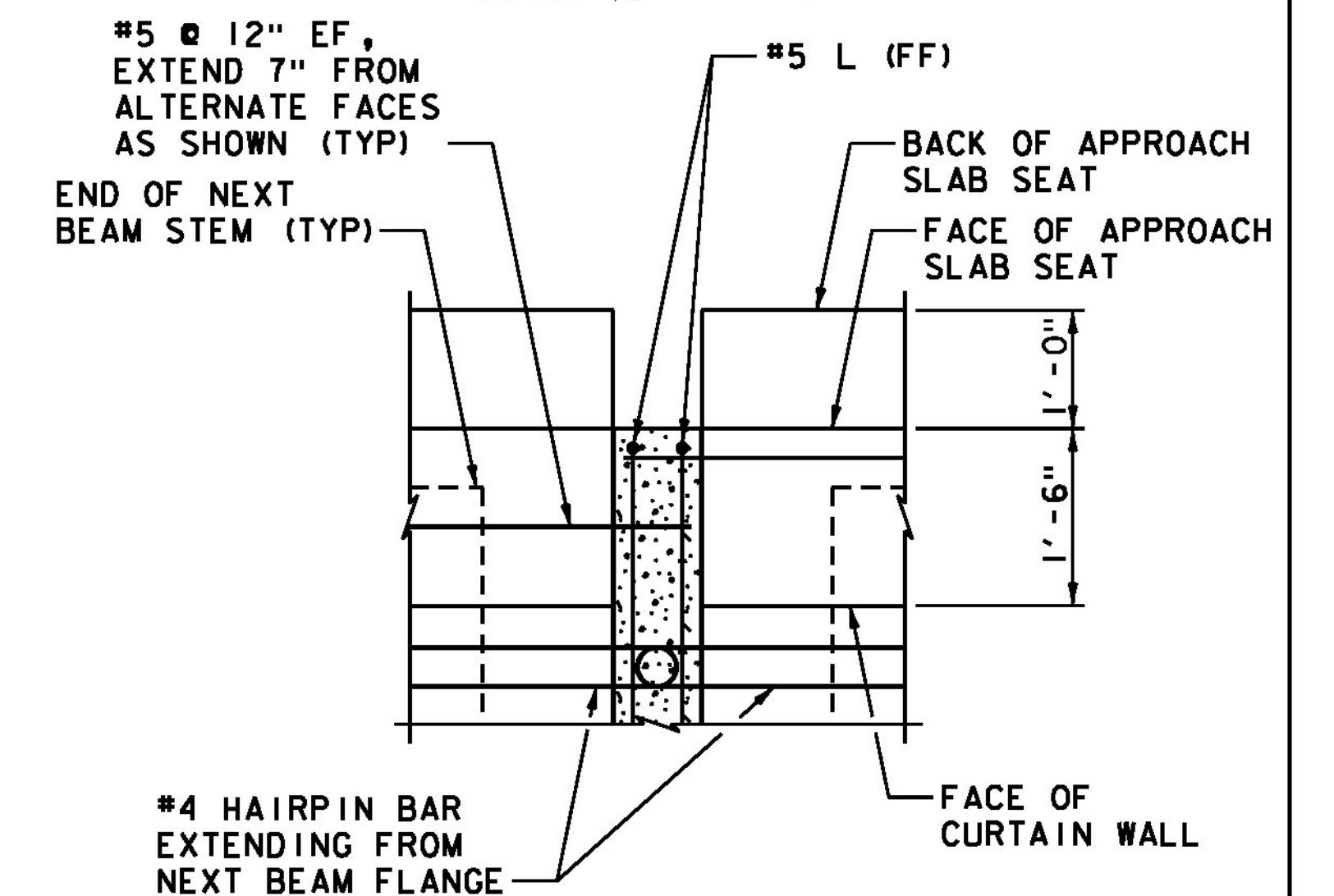
SCALE 3/8" = 1'-0"

■ - LIMITS OF PRECAST CONCRETE CURTAIN WALL



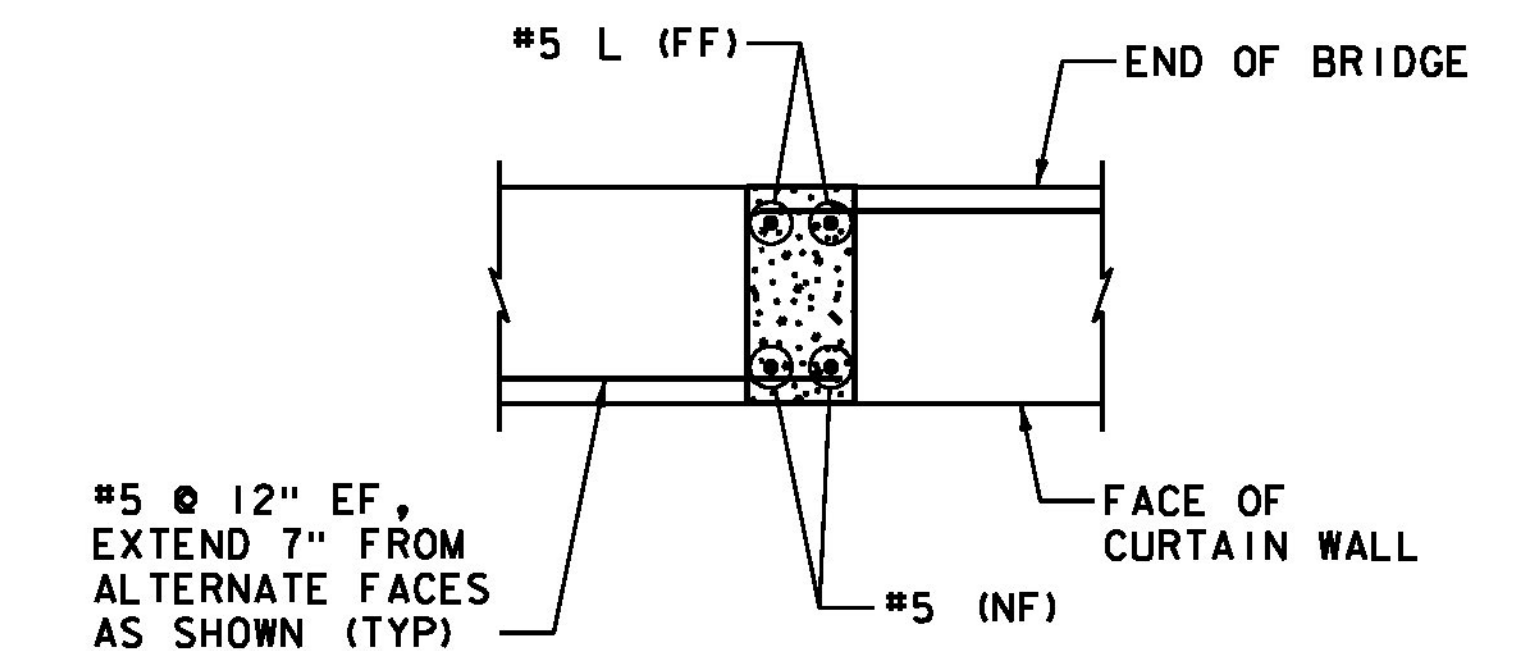
CURTAIN WALL CLOSURE POUR ELEVATION

SCALE 3/4" = 1'-0"



SECTION A-A

SCALE 3/4" = 1'-0"



SECTION B-B

SCALE 3/4" = 1'-0"

■ = GROUTING SHEAR KEYS

NOTES:

1. SEE CURTAIN WALL DETAIL SHEET (2 OF 2) FOR VERTICAL CURTAIN WALL DIMENSIONS AND ELEVATIONS.
2. SEE NEXT BEAM DETAILS SHEET (3 OF 3) FOR PRECAST CURTAIN WALL SECTION AND REINFORCING INFORMATION.

REVISION: NEXT BEAM NOTCH DIMENSION, NOVEMBER 4, 2013

PROJECT NAME: MIDDLEBURY	PLOT DATE: 11/4/2013
PROJECT NUMBER: RS 0174(8)	DRAWN BY: K.D. WENTWORTH
FILE NAME: z78f217sup.dgn	CHECKED BY: G.S. GOODRICH
PROJECT LEADER: M.A. COLGAN	SHEET 51 OF 104
DESIGNED BY: K.G. KRETSCH	
CURTAIN WALL DETAILS (1 OF 2)	