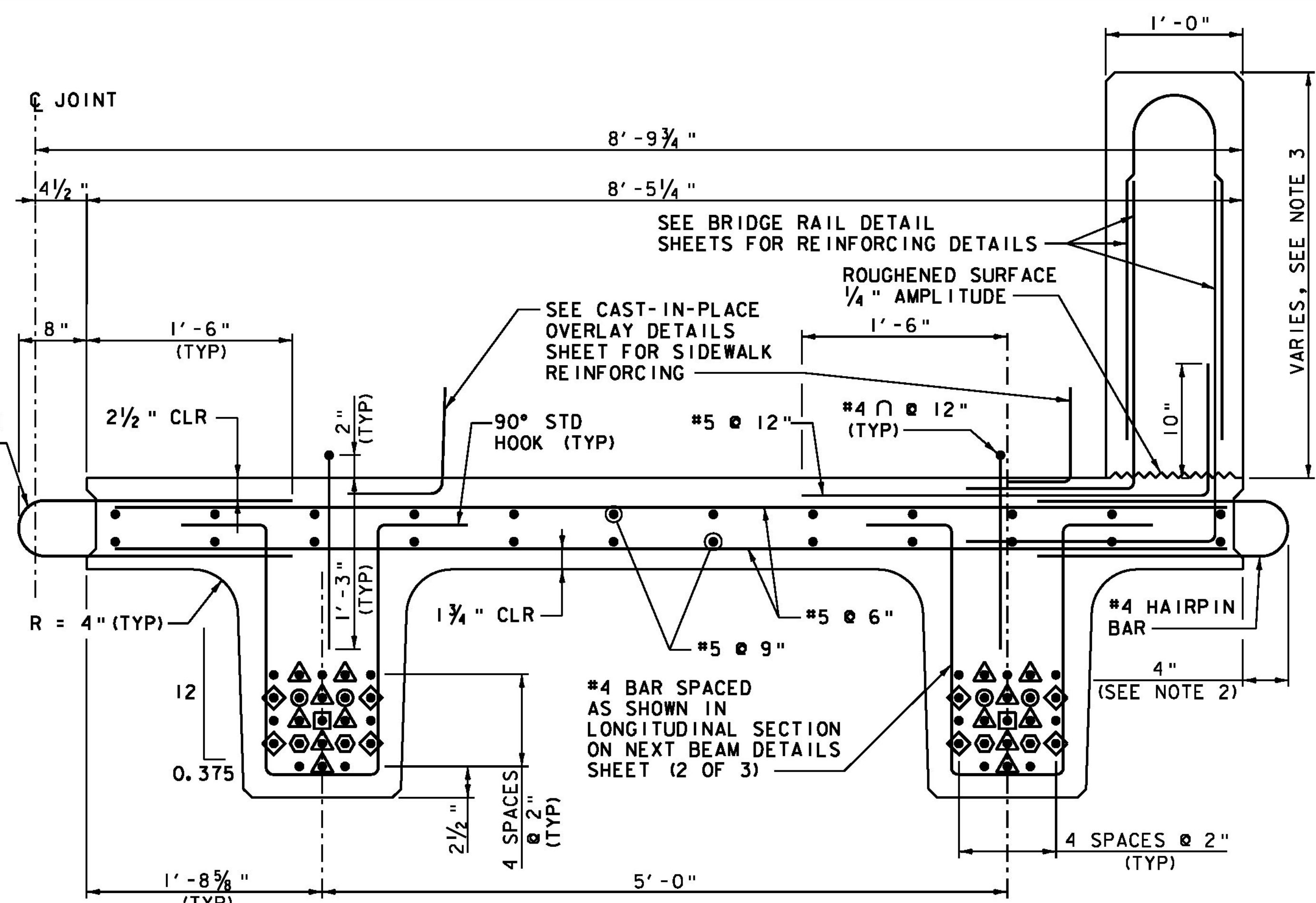
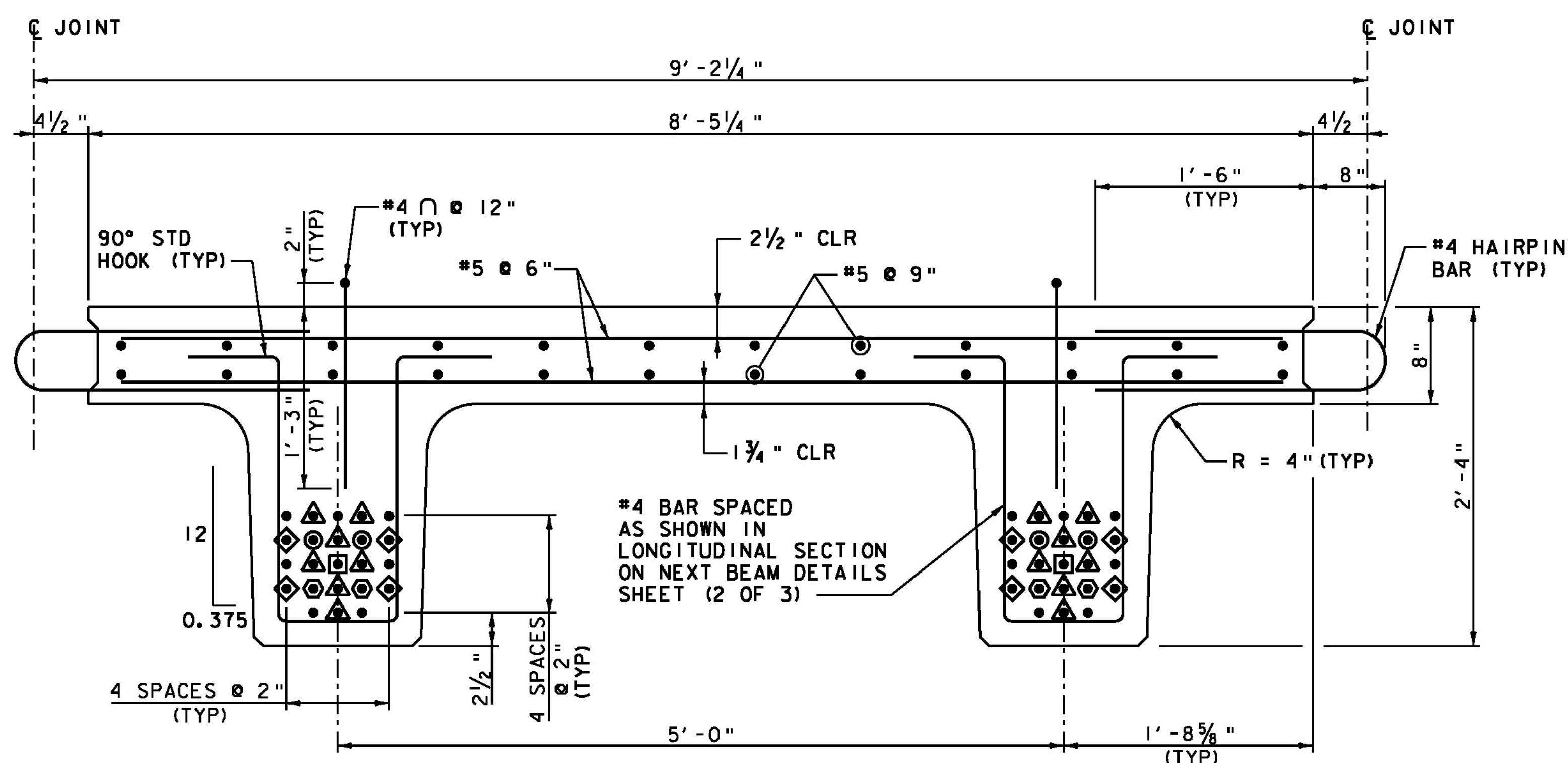


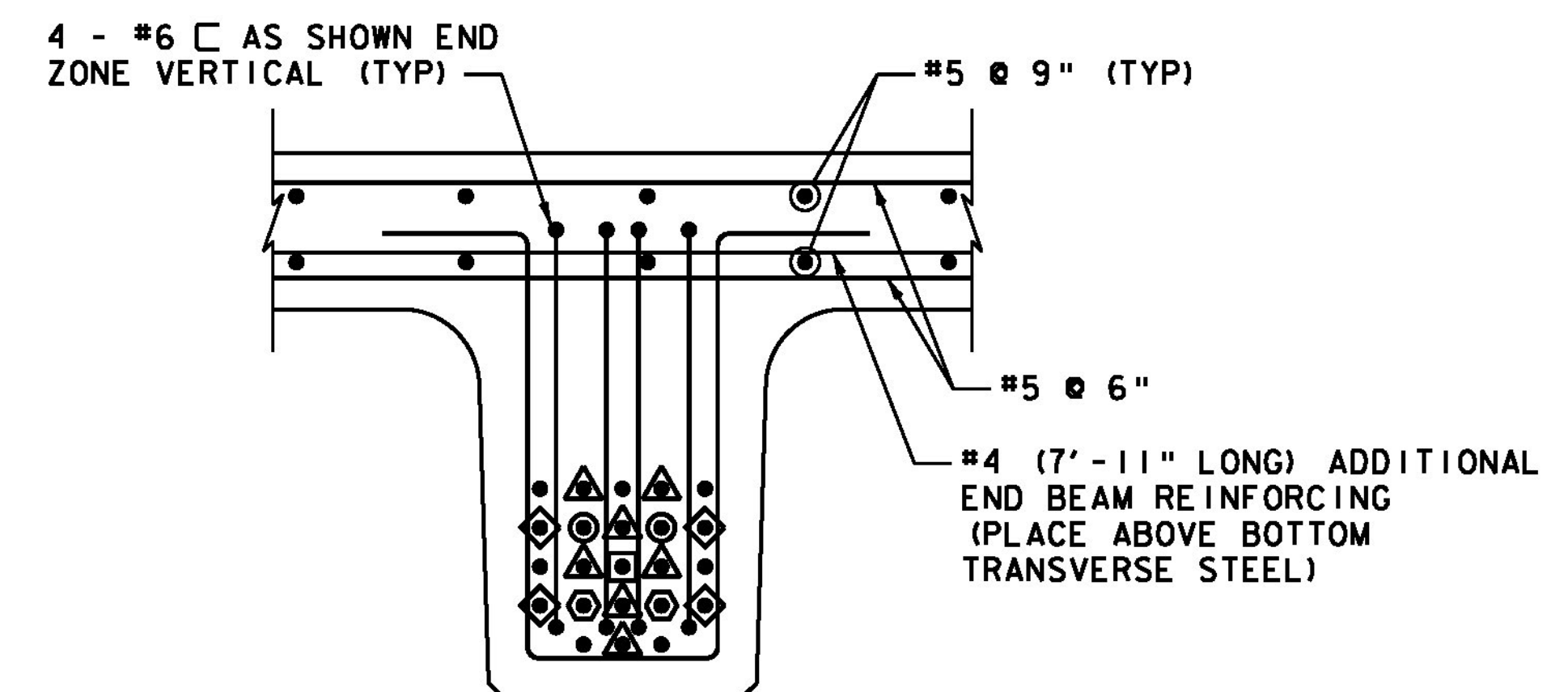
**NEXT BEAM 1**  
SCALE 1/2" = 1'-0"



**NEXT BEAM 4**  
SCALE 1/2" = 1'-0"



**NEXT BEAM 2 & 3**  
SCALE 1/2" = 1'-0"



**END SECTION**  
SCALE 1/2" = 1'-0"

- - DEBONDED 4'
- - DEBONDED 6'
- ⊙ - DEBONDED 12'
- ▲ - DEBONDED 6"
- ◇ - 1'-6" STRAND CUT LONG

**NOTE:**  
 NF = NEAR FACE  
 FF = FAR FACE  
 EF = EACH FACE  
 ▲ = CUT TO FIT IN FIELD  
 3" CLEAR, UNLESS OTHERWISE SPECIFIED ON THE PLANS.  
 2'-2" BAR LAP UNLESS OTHERWISE SPECIFIED ON THE PLANS.

- NOTES:**
1. LEAVE FOUR STRANDS 1'-6" LONG PER STEM AS SHOWN ON NEXT BEAM DETAILS SHEET (3 OF 3).
  2. SEE BRIDGE RAIL DETAILS (2 OF 3) FOR CAST-IN-PLACE COPING DETAILS.
  3. SEE CAST-IN-PLACE CONCRETE PARAPET HEIGHT DETAILS ON BRIDGE RAIL DETAILS SHEET (2 OF 3).

PROJECT NAME:	MIDDLEBURY
PROJECT NUMBER:	RS 0174(8)
FILE NAME:	z78f217sup.dgn
PROJECT LEADER:	M.A. COLGAN
DESIGNED BY:	K.G. KRETSCH
NEXT BEAM DETAILS (1 OF 3)	
PLOT DATE:	8/27/2013
DRAWN BY:	K.D. WENTWORTH
CHECKED BY:	G.S. GOODRICH
SHEET	48 OF 104