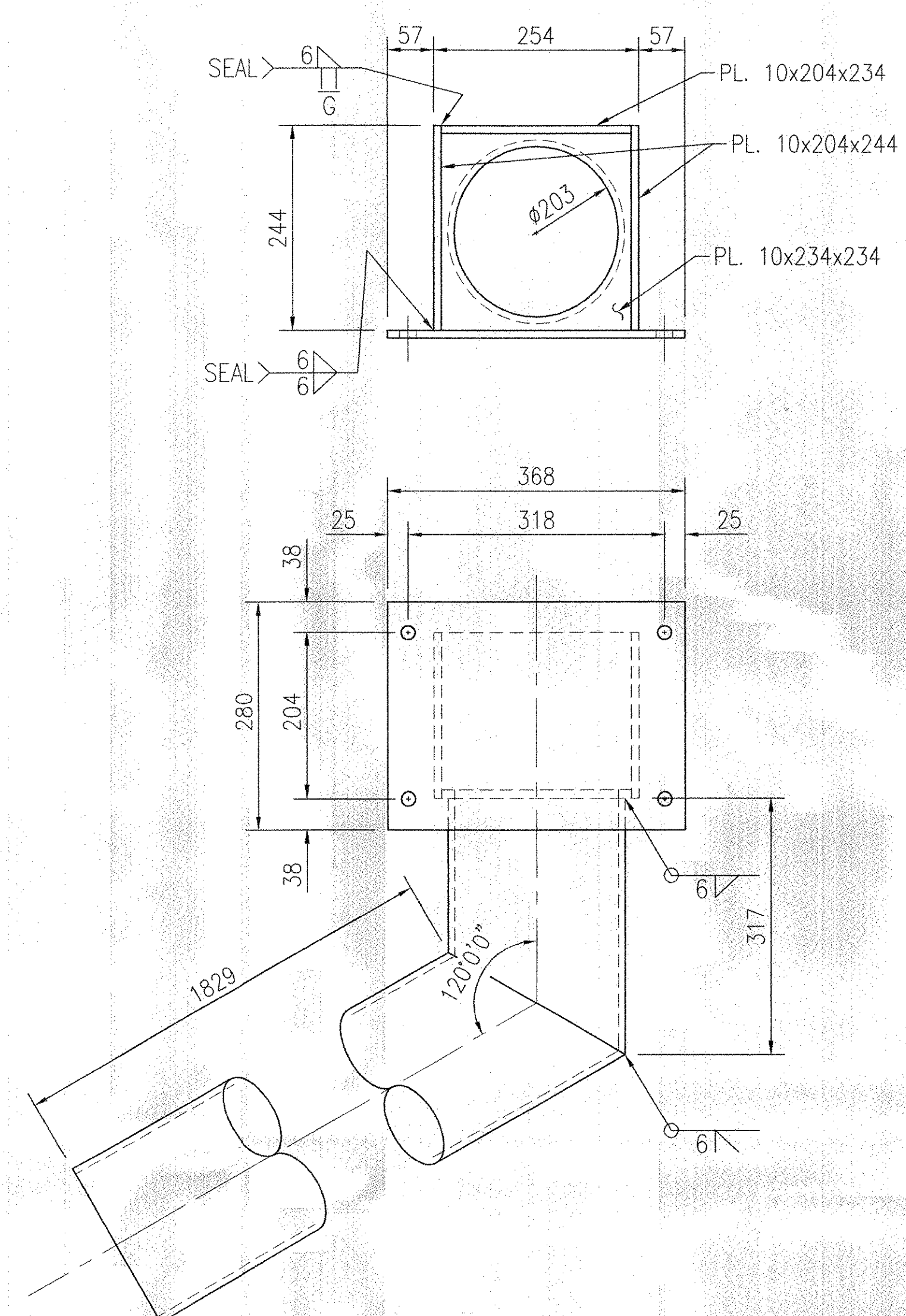
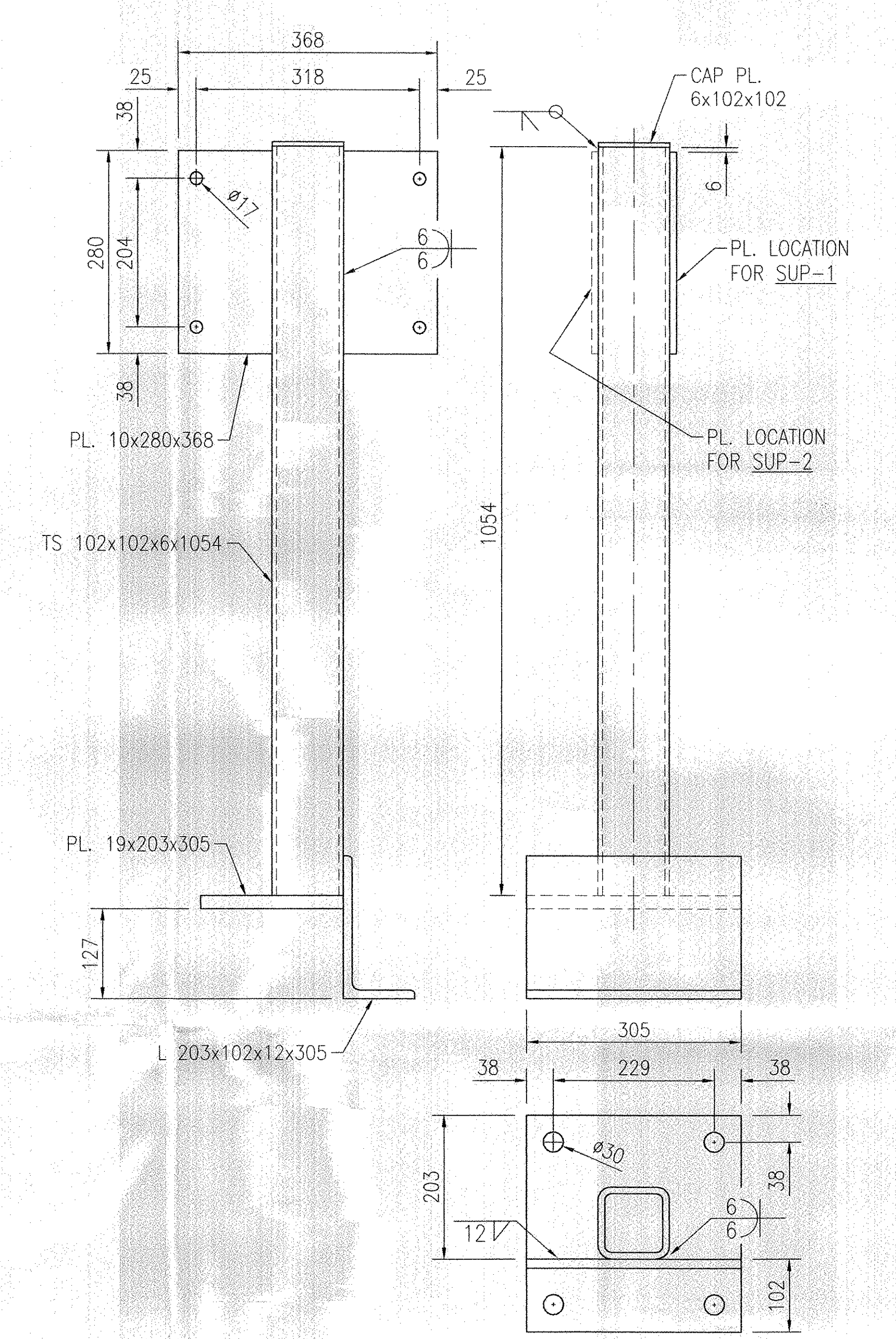


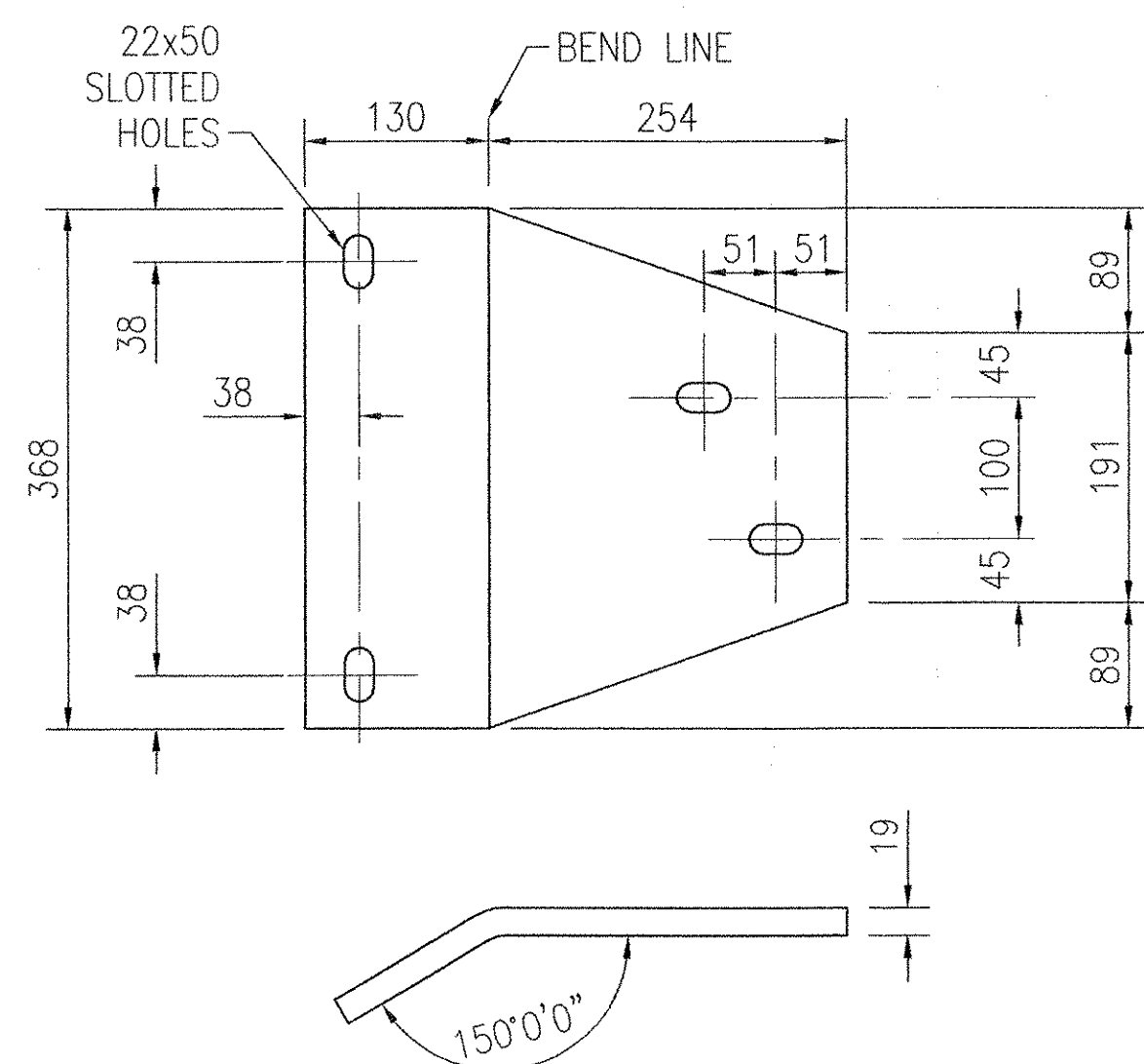
DOWNSPOUT DETAIL



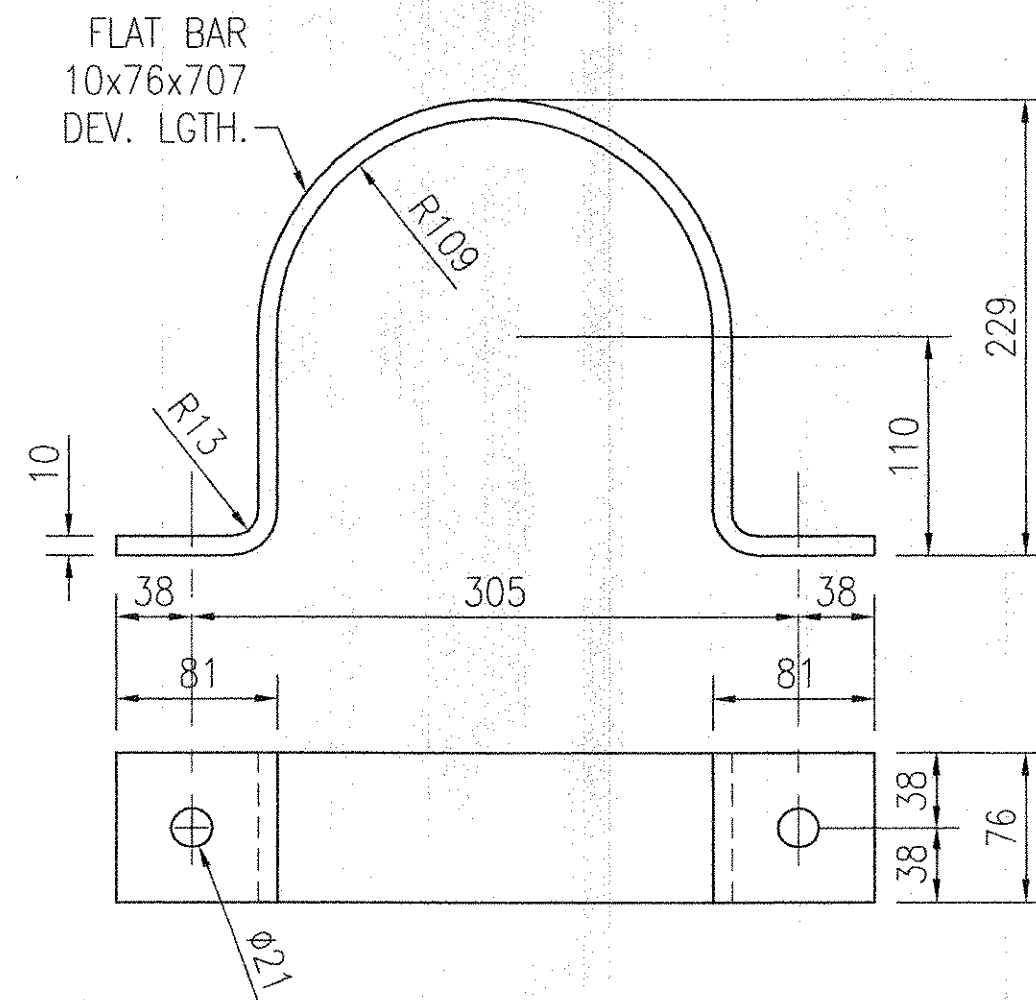
HOPPER DETAIL - HOP-1 (AS SHOWN)  
HOPPER DETAIL - HOP-2 (OPP. HAND)



DOWNSPOUT SUPPORT - SUP-1 (AS SHOWN)  
DOWNSPOUT SUPPORT - SUP-2 (AS NOTED)



SUPPORT PLATE - SP1



CLAMP - CL1

F:\ENGINEER\WBA\Proj\102885-Westover-VT Route 100\1000-Drawing\102885.dwg, Layer: 0, 8/19/2005 10:32:19 AM

DRAWING ACTION:

**SUBMITTED FOR APPROVAL**

DATE:

NO.	DESCRIPTION	DATE
1	REVISD PER APPROVAL COMMENTS	TEB 8/19/05

Information provided herein, including but not limited to, any drawing, design, photograph, graphic, or statement(s) ("Materials") are proprietary and the property of Watson Bowman Acme Corporation ("Company"). Reproduction, translation, or reduction to any electronic medium or machine readable form, in whole or part, is strictly prohibited, except for the express purpose for which it has been furnished, without prior written consent of Company. All materials contained herein are provided by Company for information purposes only. Company reserves the right to amend or withdraw any information contained in the Materials without notice. All technical or other advice by Company, whether verbal or written, concerning products, or the use of products in specific situations ("Advice") is given by Company and is used at the Users own risk.

SHEET NUMBER:  
ITEM DESIGNATION:  
ITEM NUMBER:

2e1

MARK SYSTEM

RECEIVED  
OK'D BY: *M/EM*  
AUG 24 2005  
RESUBMIT APPROVED  
BY: \_\_\_\_\_ DATE: 9-2-2005

STATE: VERMONT  
TOWN: JAMAICA  
PROJECT NO.: BRF 013-1 (8)  
STATION: \_\_\_\_\_ MILE POST: \_\_\_\_\_  
EXPANSION JOINT TYPE: EMBEDDED  
WBA PRODUCT NO.: EMB102885AA

**wabo**

WATSON BOWMAN ACME CORPORATION  
65 PINEVIEW DRIVE, AMHERST, N.Y. 14228 TEL (716) 691-7566 FAX (716) 691-9239

PROJECT: VT ROUTE 100 OVER THE WEST RIVER

WABO EXPANSION JOINT DETAILS

DETAILED BY: TEB	DATE: 4/1/05
CHECKED BY: TEB	DATE: 4/1/05
SCALE: NTS	WBA JOB NO.: 102885
SHEET NO.: 3 OF 4	DRAWING NO.: B-23554

2086i