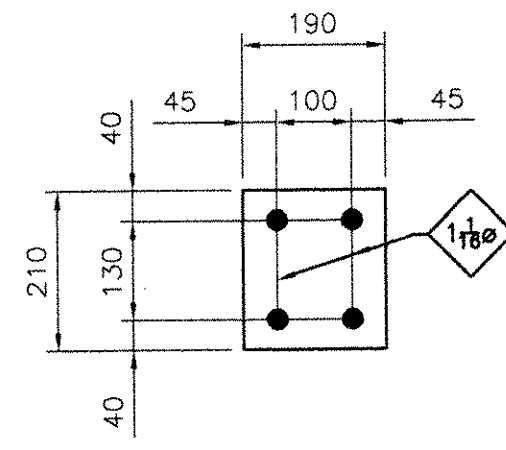
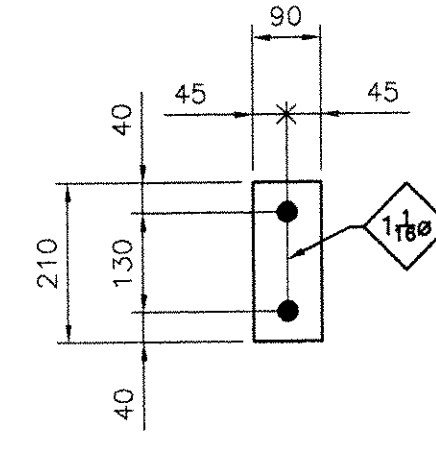


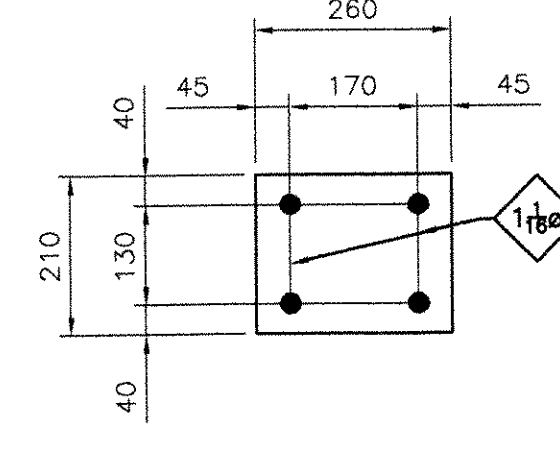
ITEM x162pa (24 REQ'D)
(PL21 x 90 x 210)



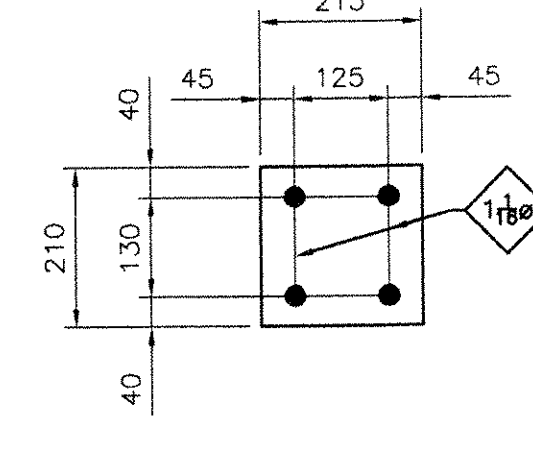
ITEM x162pb (24 REQ'D)
(PL18 x 190 x 210)



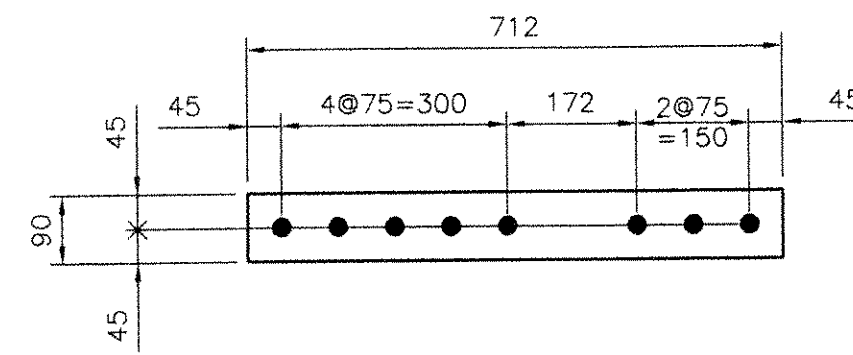
ITEM x162pc (16 REQ'D)
(PL18 x 90 x 210)



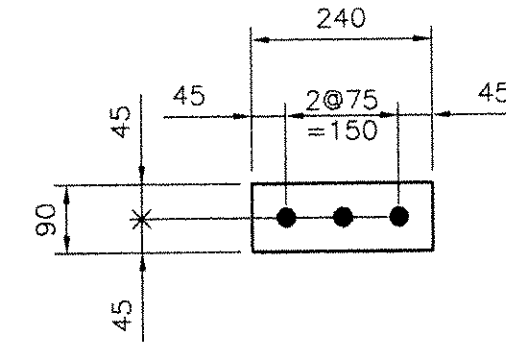
ITEM x162pd (8 REQ'D)
(PL18 x 210 x 260)



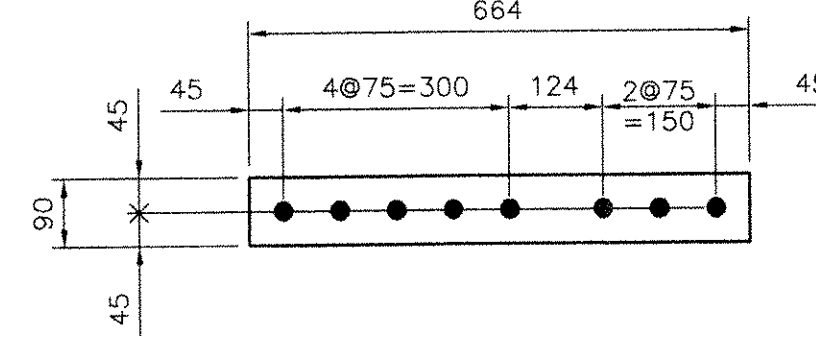
ITEM x162pf (8 REQ'D)
(PL18 x 210 x 215)



ITEM x162pg (16 REQ'D)
(PL18 x 90 x 712)



ITEM x162ph (24 REQ'D)
(PL18 x 90 x 240)



ITEM x162pk (8 REQ'D)
(PL18 x 90 x 664)

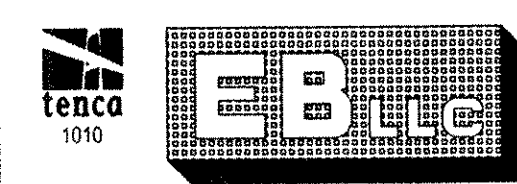
- NOTES:
- 1- GENERAL NOTES: SEE GN101
 - 2- HOLES: 15/16" (24#) (UN)
 - 3- ALL STEEL SHALL BE GALVANIZED, SEE GN101
 - 4- ALL MATERIAL SHALL BE M270M-GR345 (UN)
 - 5- ALL HOLES SHALL BE "CNC" DRILLED (UN)

RECEIVED
 CK'D BY: _____ OK'D BY: *MEM*
 AUG 24 2005
 RESUBMIT: _____ APPROVED: _____
 BY: _____ DATE: 8/23/05

RESERVED FOR STAMPS

REV	DATE	DESCRIPTION	QTY	DATE	ISSUED TO	FOR
△	-	-	8	8/23/05	F.W. Whitcomb	Approval

NOTICE
 This drawing shall not be used or reproduced in any manner, nor shall any similar drawings or structures be made therefrom, nor shall the information thereon be used for any purpose other than that for which it is released without the written consent of an officer of EASTERN BRIDGE LLC.



EASTERN BRIDGE LLC
 RURAL RTE 2, BOX 302
 CLAREMONT, NH 03743
 603-542-5202

PROJECT: ROUTE 100 OVER THE WEST RIVER
 LOCATION: TOWN OF JAMAICA
 ENGINEER: CLD CONSULTING ENGINEERS
 CUSTOMER: VERMONT A. O. T.
 DRAWING TITLE: DETAILS
 DRAWN BY: YT 08/17/05 JOB SHEET NUMBER: X162
 CHECKED BY: GC 08/17/05 NUMBER: 5075