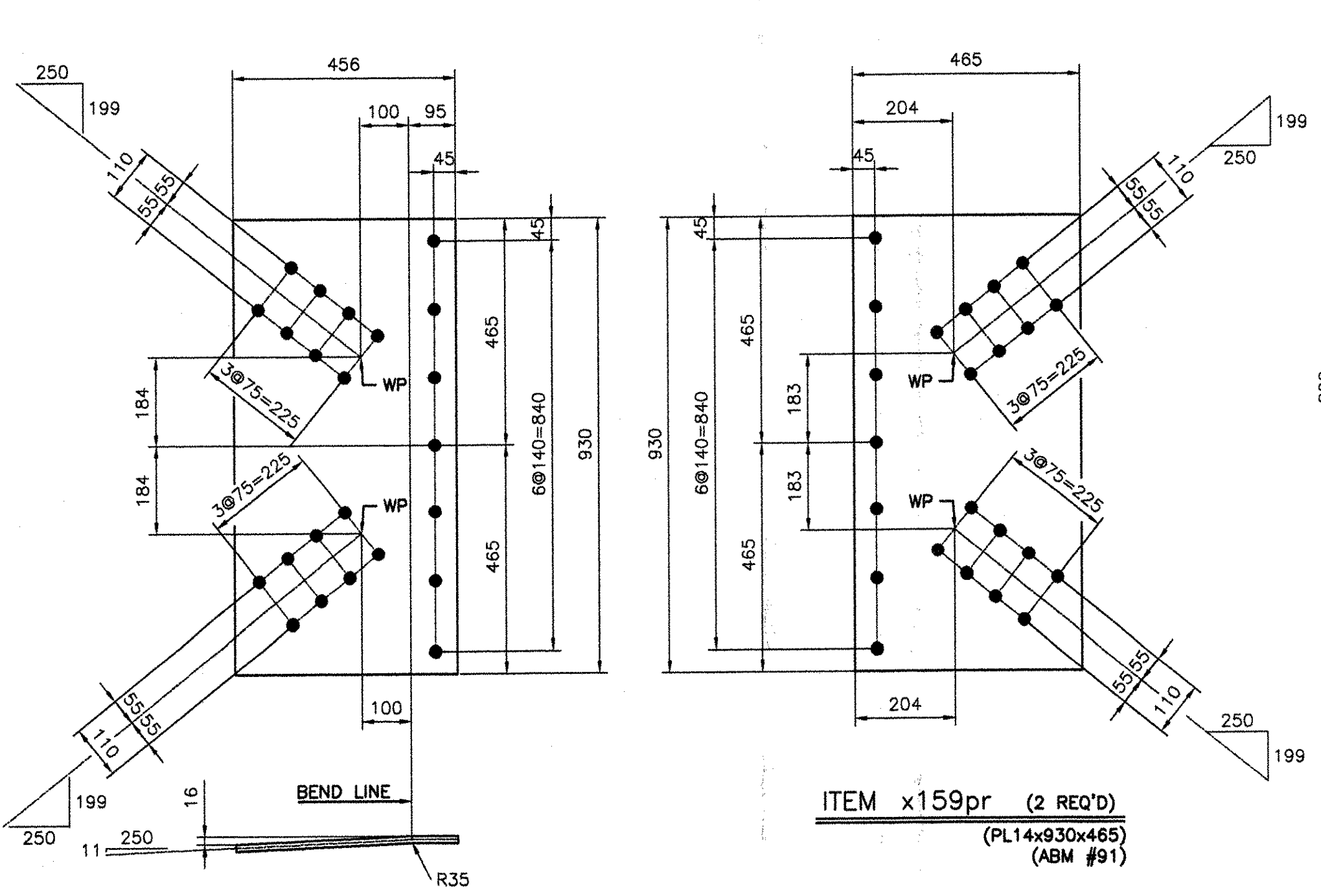
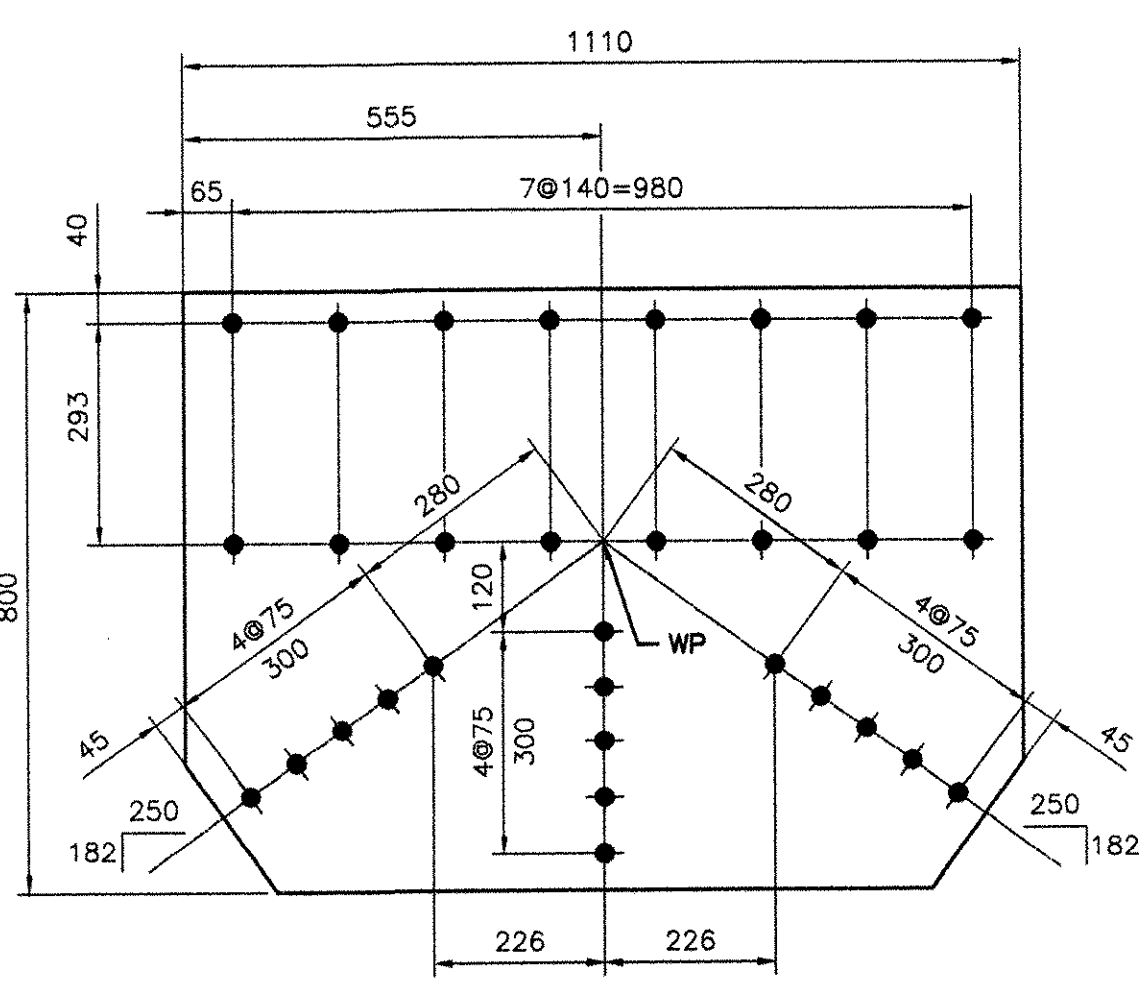


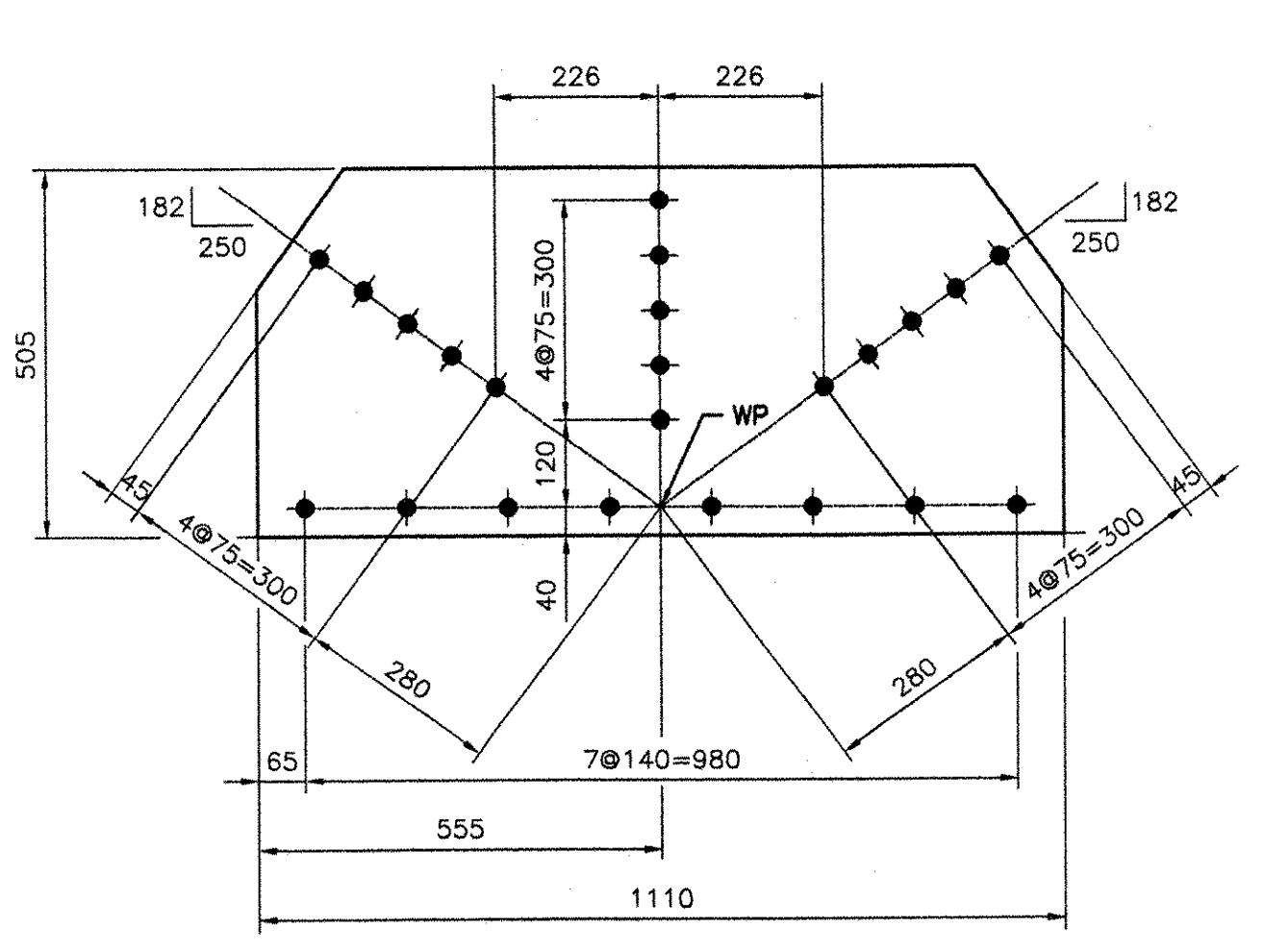
ITEM x159pg (2 REQ'D)  
(PL14x930x989)  
(ABM #92)



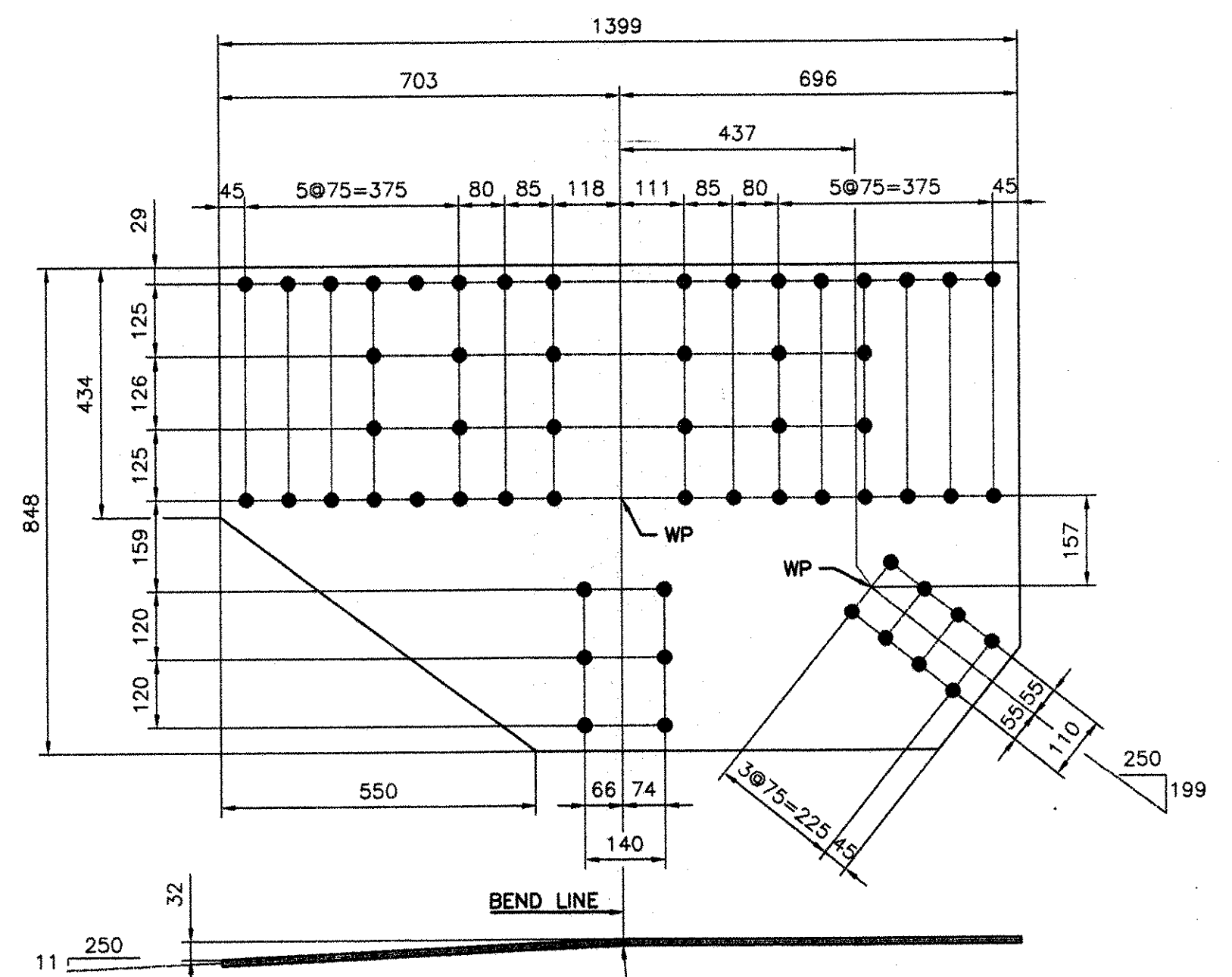
ITEM x159ph (2 REQ'D)  
(PL14x930x456)  
(ABM #91)



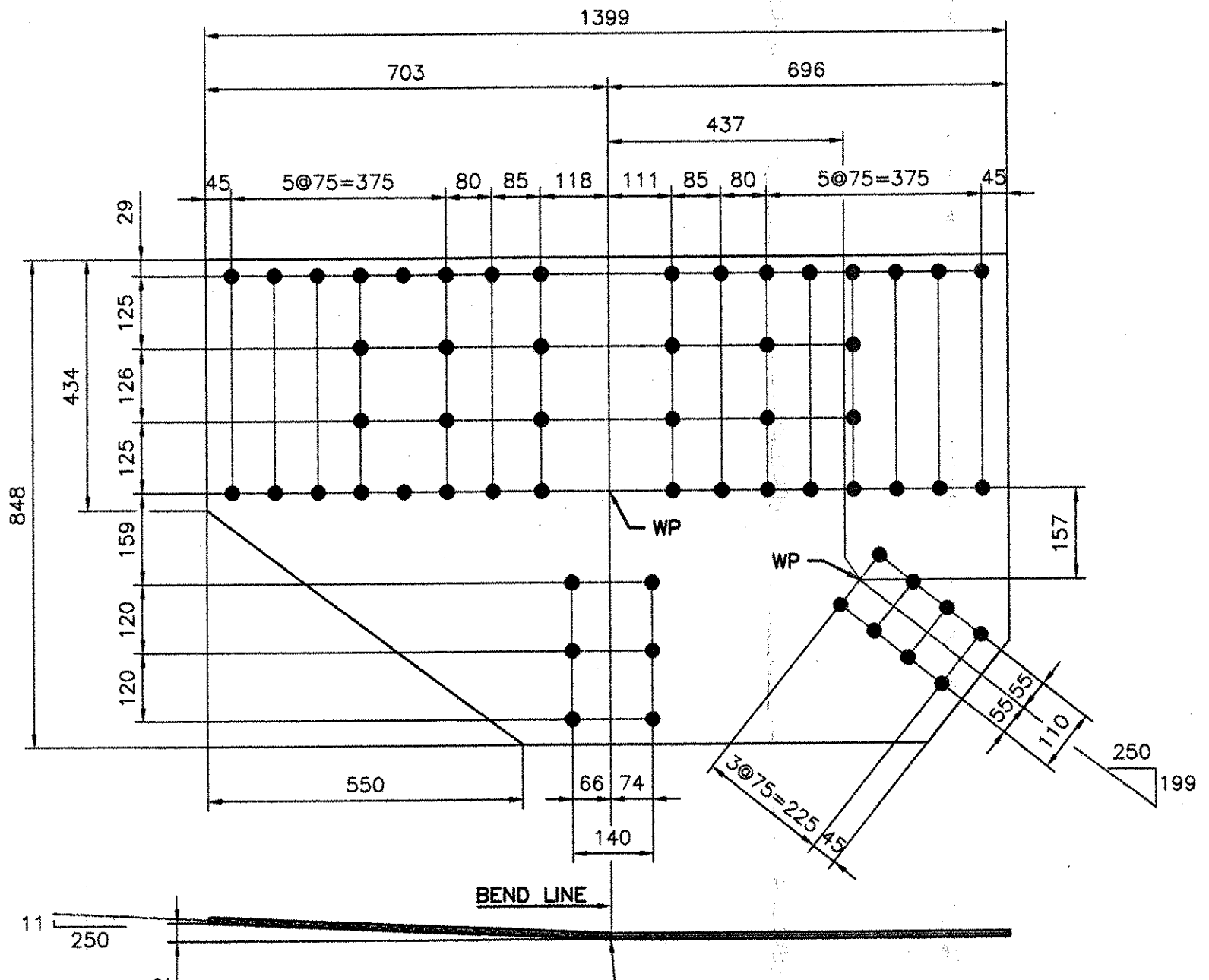
ITEM x159pa (6 REQ'D)  
(PL10x800x1110)  
(ABM #85)



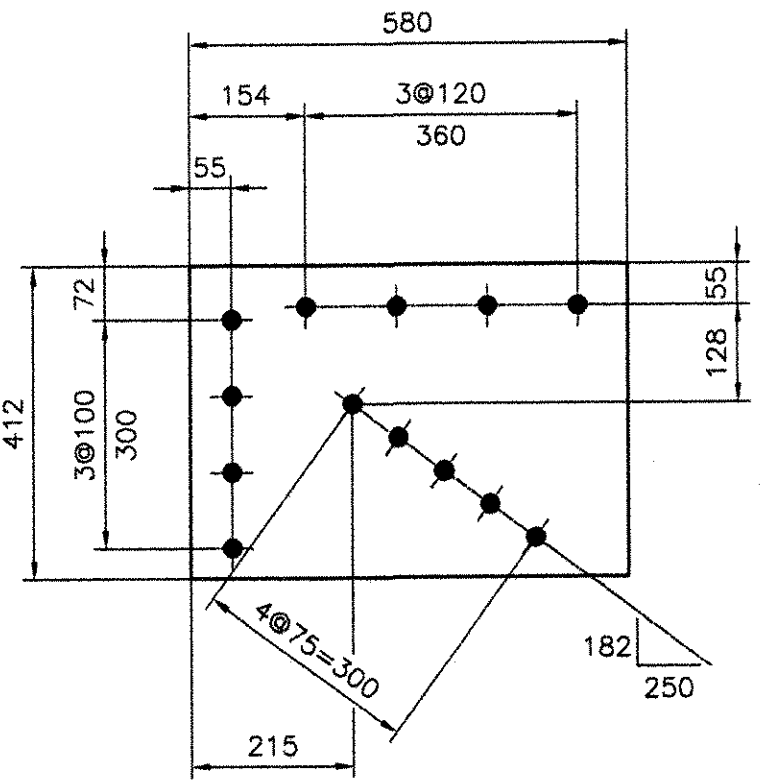
ITEM x159pb (6 REQ'D)  
(PL10x505x1110)  
(ABM #88)



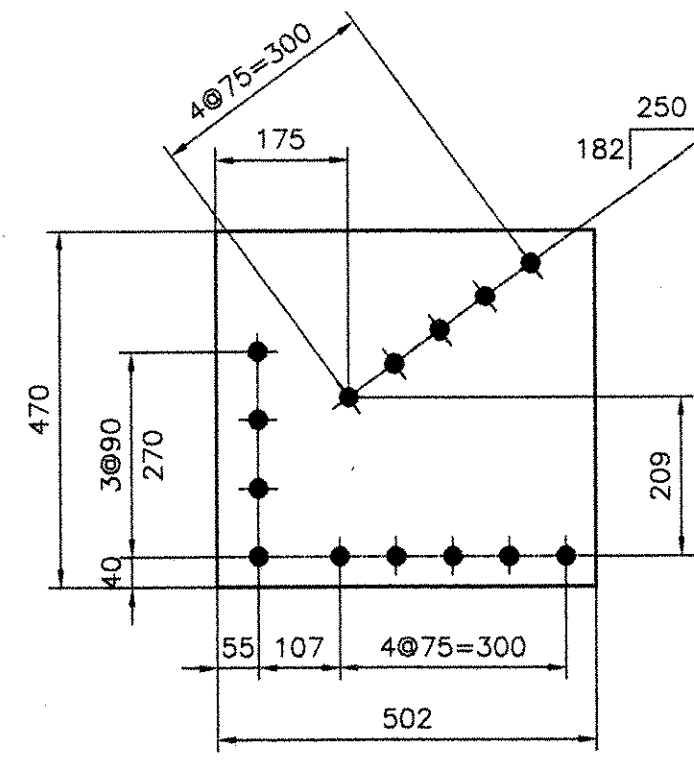
ITEM x159pk (2 REQ'D)  
(PL10x848x1399)  
M270M-GR345 (CVN) (ABM #89)



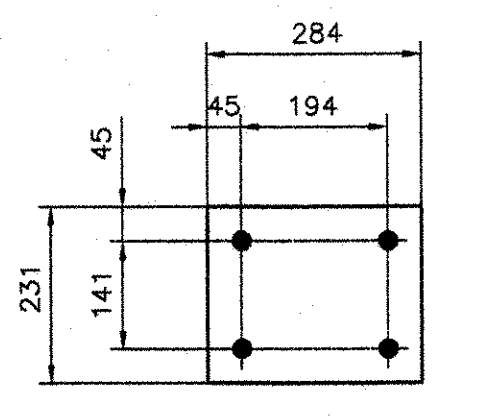
ITEM x159pm (2 REQ'D)  
(PL10x848x1399)  
M270M-GR345 (CVN) (ABM #89)



ITEM x159pc (4 REQ'D)  
(PL10x412x580)  
(ABM #87)



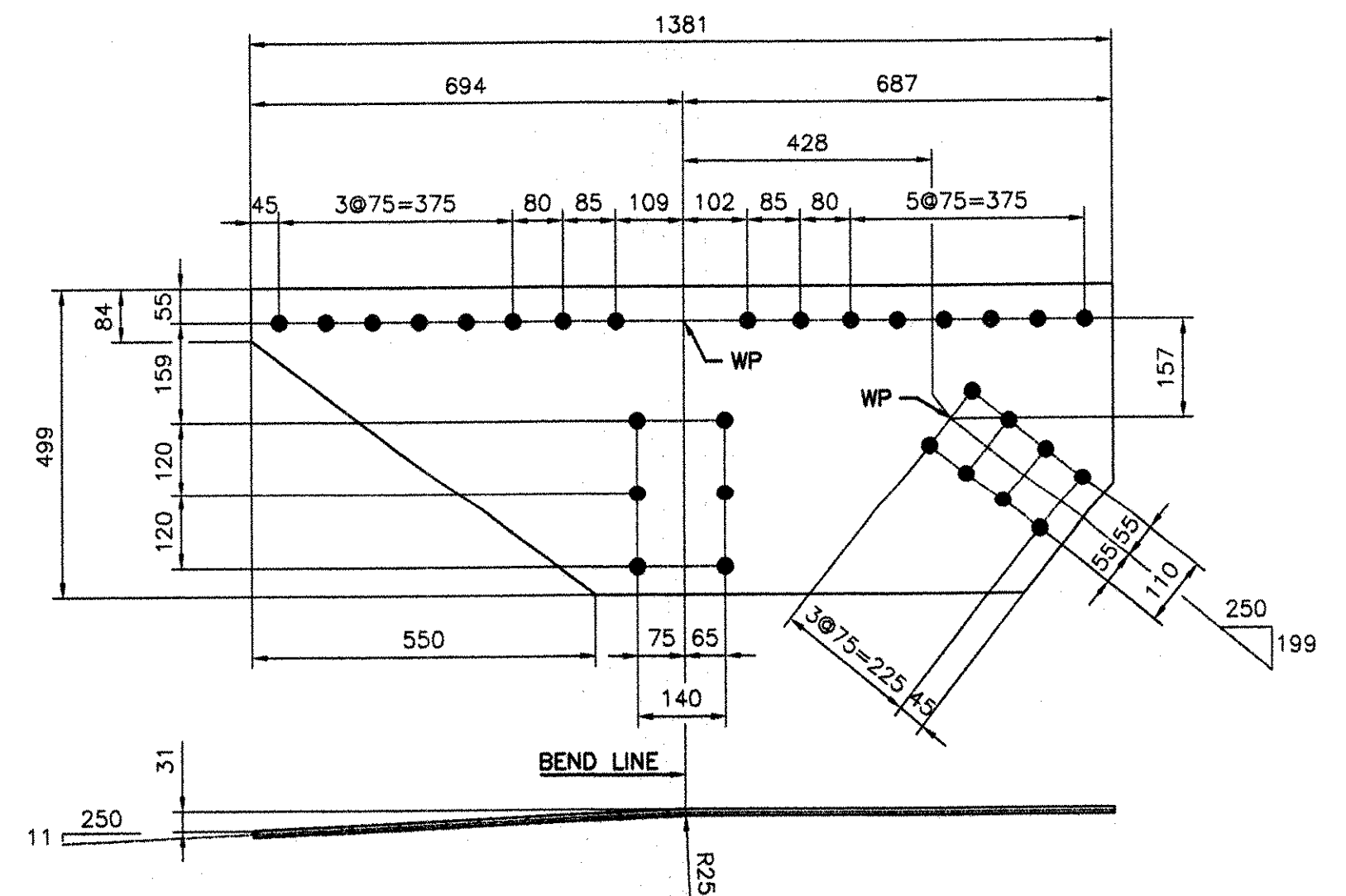
ITEM x159pd (4 REQ'D)  
(PL10x470x502)  
(ABM #87)



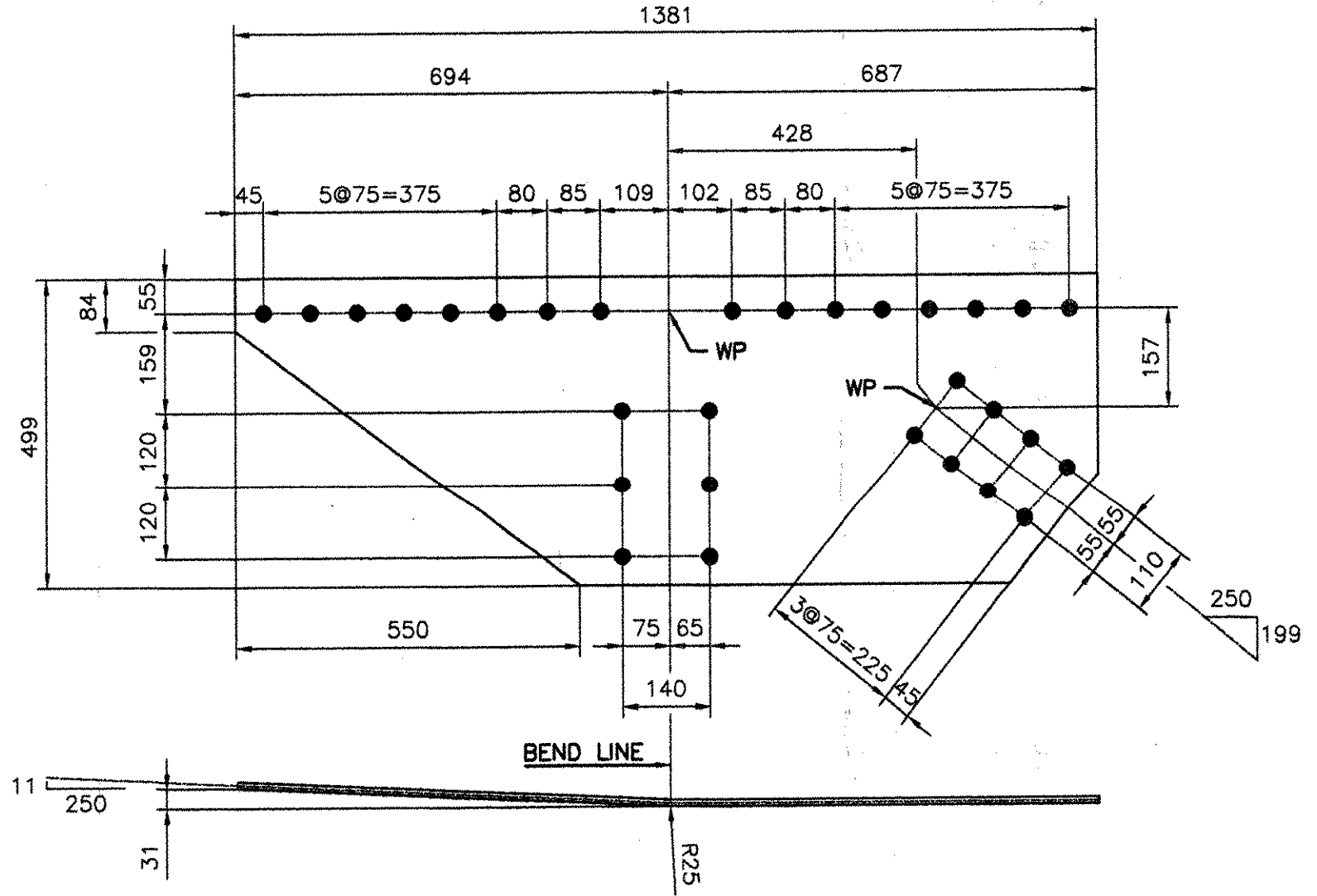
ITEM x159pf (8 REQ'D)  
(PL10x231x284)  
(ABM #86)

- NOTES:
- 1- GENERAL NOTES: SEE GN101
  - 2- HOLES: 15/16" (24#) (UN)
  - 3- ALL STEEL SHALL BE GALVANIZED, SEE GN101
  - 4- ALL MATERIAL SHALL BE M270M-GR345 (UN)
  - 5- ALL HOLES SHALL BE "CNC" DRILLED (UN)

RESERVED FOR STAMPS



ITEM x159pn (2 REQ'D)  
(PL10x499x1381)  
M270M-GR345 (CVN) (ABM #90)



ITEM x159pp (2 REQ'D)  
(PL10x499x1381)  
M270M-GR345 (CVN) (ABM #90)

NOTICE  
This drawing shall not be used or reproduced in any manner, nor shall any similar drawings or structures be made therefrom, nor shall the information thereon be used for any purpose other than that for which it is released without the written consent of an officer of EASTERN BRIDGE LLC.

**EB LLC**  
EASTERN BRIDGE LLC  
RURAL RTE 2, BOX 302  
CLAREMONT, NH 03743  
803-542-5202

|  |                           |                                    |                            |
|--|---------------------------|------------------------------------|----------------------------|
| PROJECT: ROUTE 100 OVER THE WEST RIVER | LOCATION: TOWN OF JAMAICA | ENGINEER: CLD CONSULTING ENGINEERS | CUSTOMER: VERMONT A. O. T. |
| DRAWING TITLE: DETAILS                 | DRAWN BY: BR              | 03/02/05 JOB                       | CHECKED BY: GG             |
| 04/04/05 NUMBER: 5075                  | SHEET                     | NUMBER: X159                       |                            |