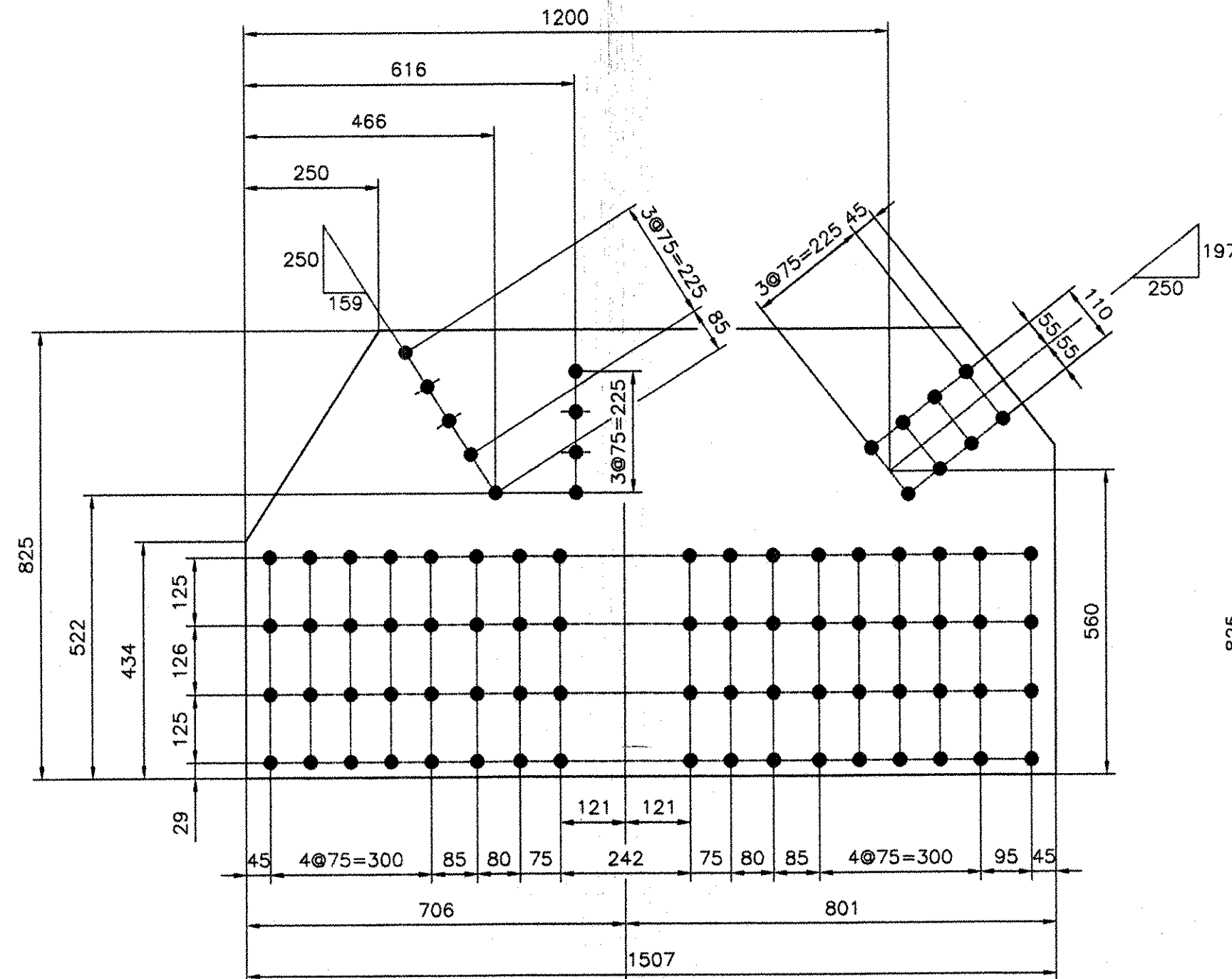
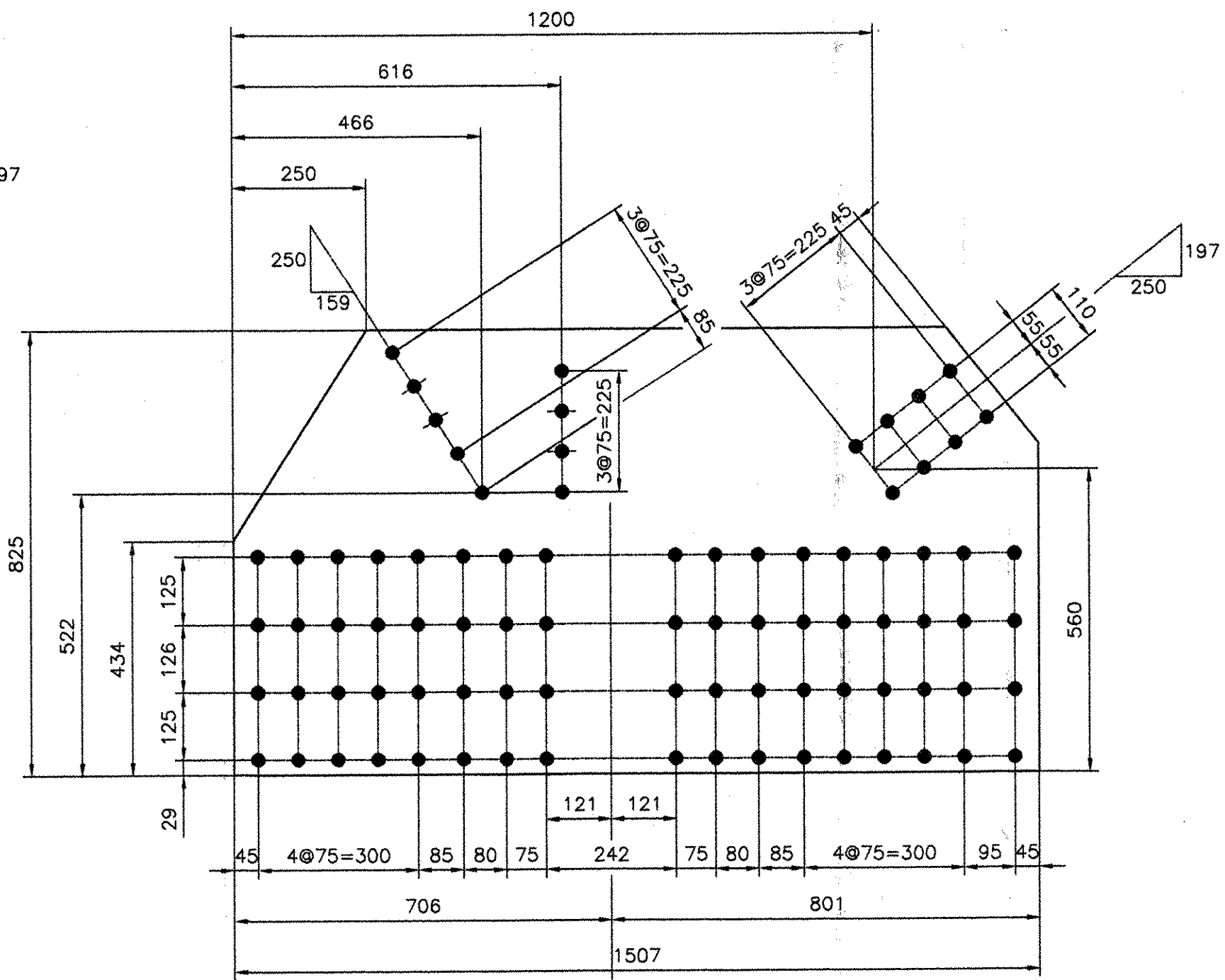


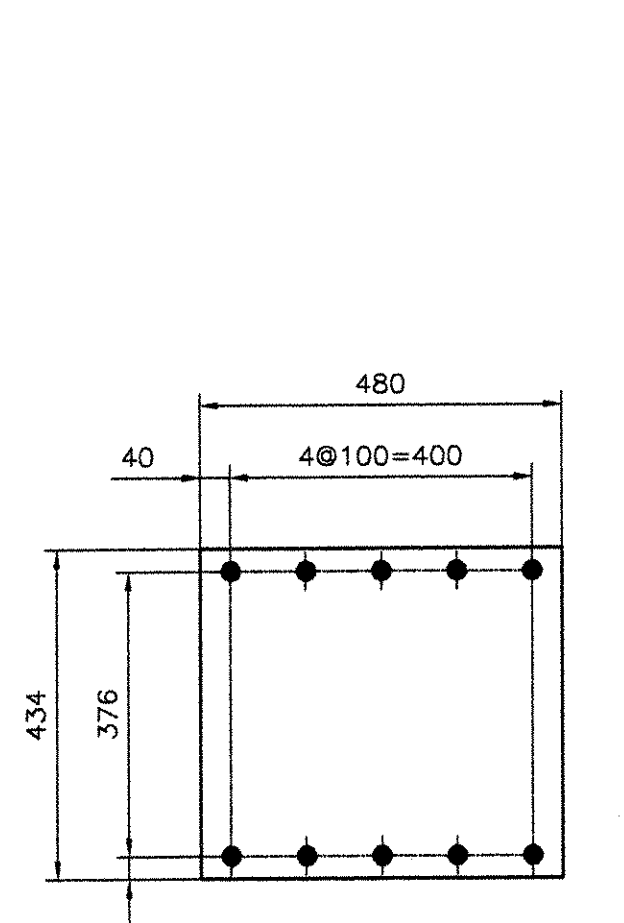
ITEM x157pa (4 REQ'D)  
(PL12x434x8940)  
M270M-GR345 (CVN) (ABM #12)



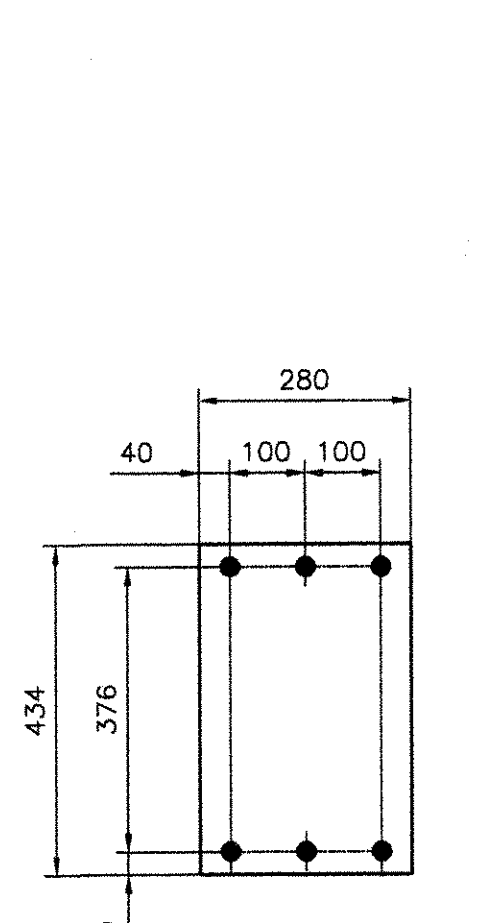
ITEM x157pr (2 REQ'D)  
(PL10x825x1507)  
M270M-GR345 (CVN) (ABM #77)



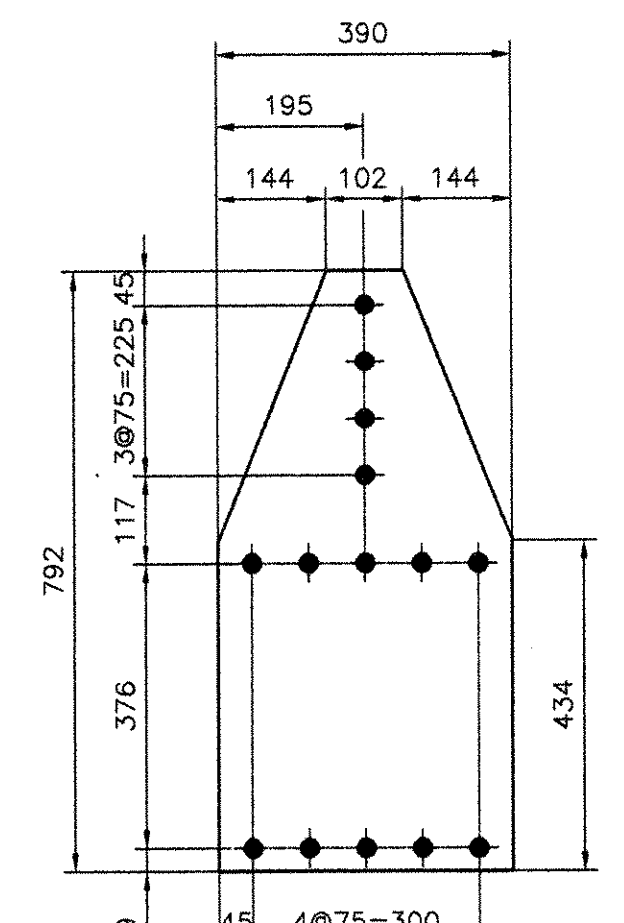
ITEM x157pf (2 REQ'D)  
(PL10x825x1507)  
M270M-GR345 (CVN) (ABM #77)



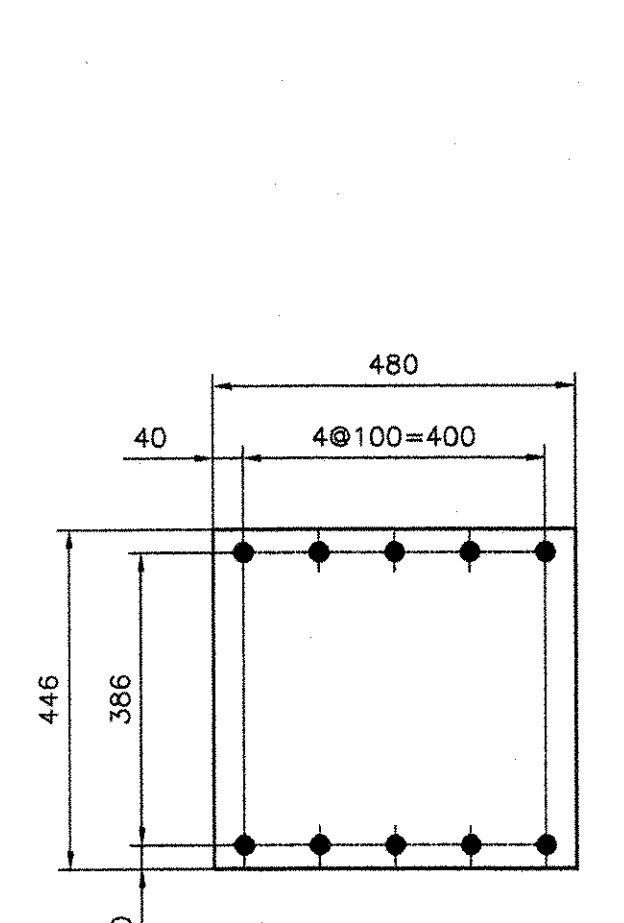
ITEM x157pb (28 REQ'D)  
(PL10x434x480)  
(ABM #53)



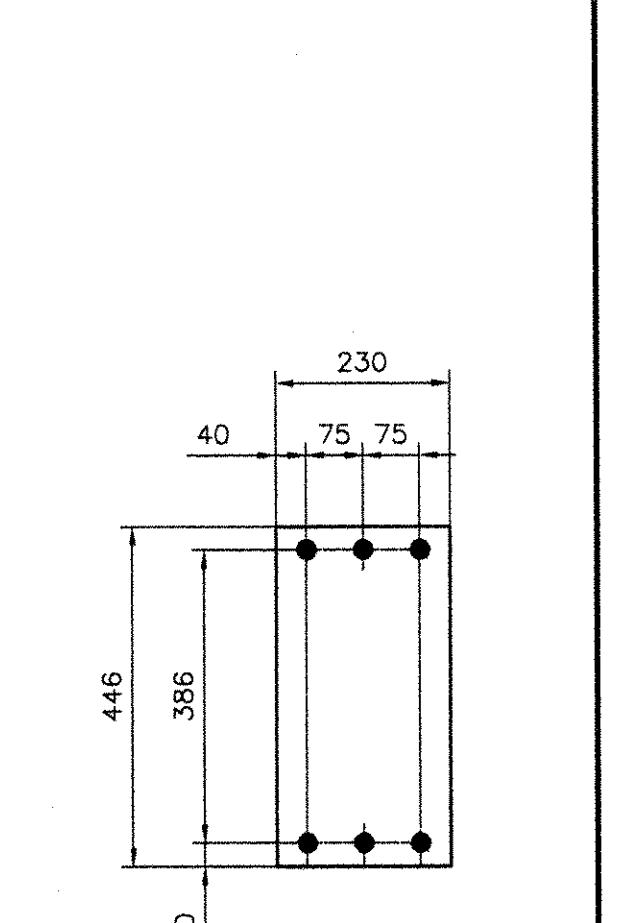
ITEM x157pc (128 REQ'D)  
(PL10x280x434)  
(ABM #54)



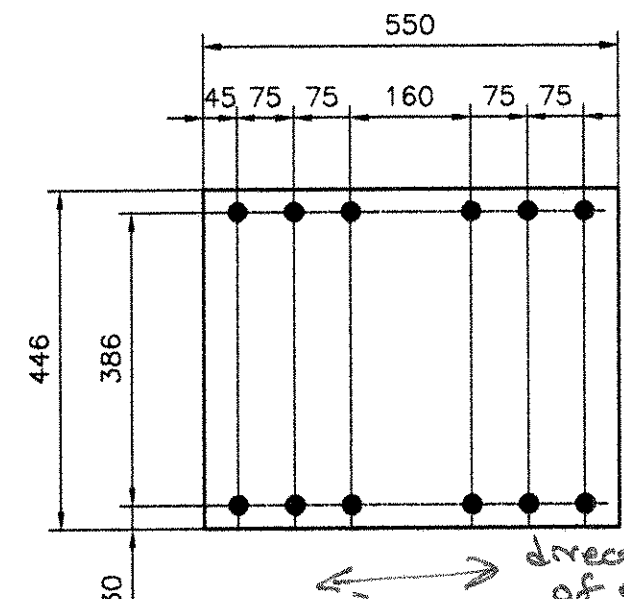
ITEM x157pd (4 REQ'D)  
(PL10x390x792)  
(ABM #80)



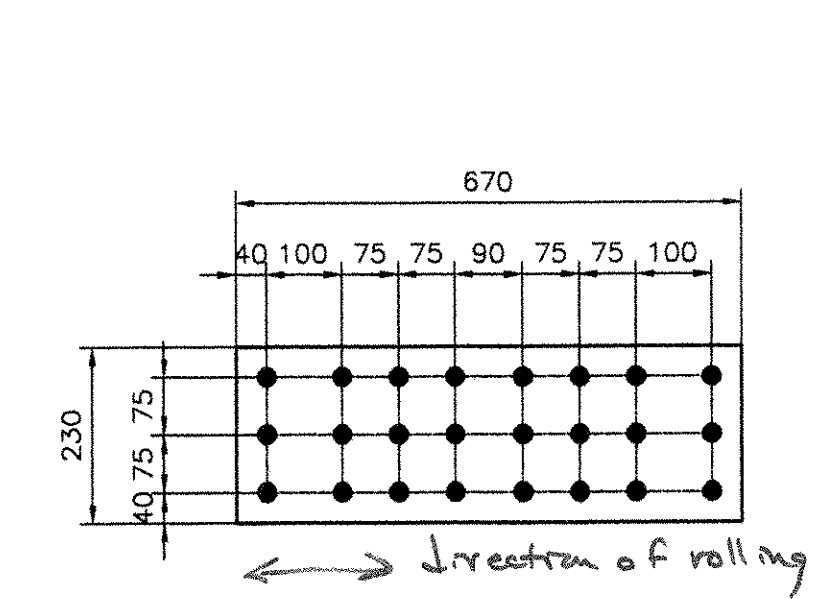
ITEM x157pk (44 REQ'D)  
(PL10x446x480)  
(ABM #51)



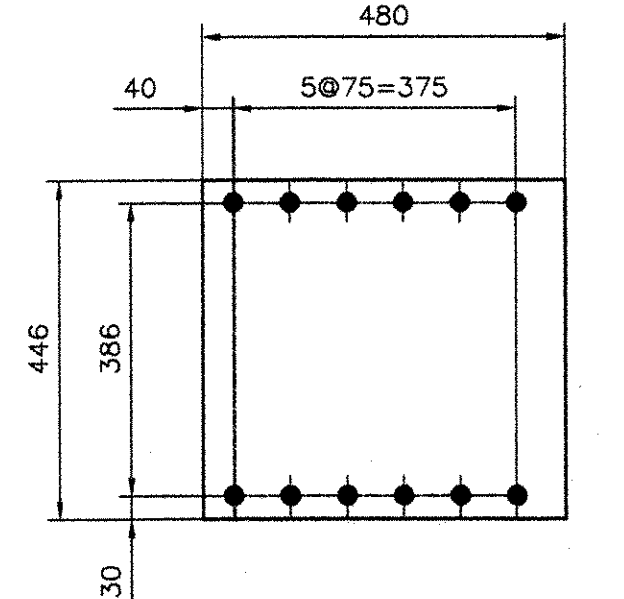
ITEM x157pm (116 REQ'D)  
(PL10x230x446)  
(ABM #52)



ITEM x157pn (12 REQ'D)  
(PL14x446x550)  
M270M-GR345 (CVN) (ABM #57)

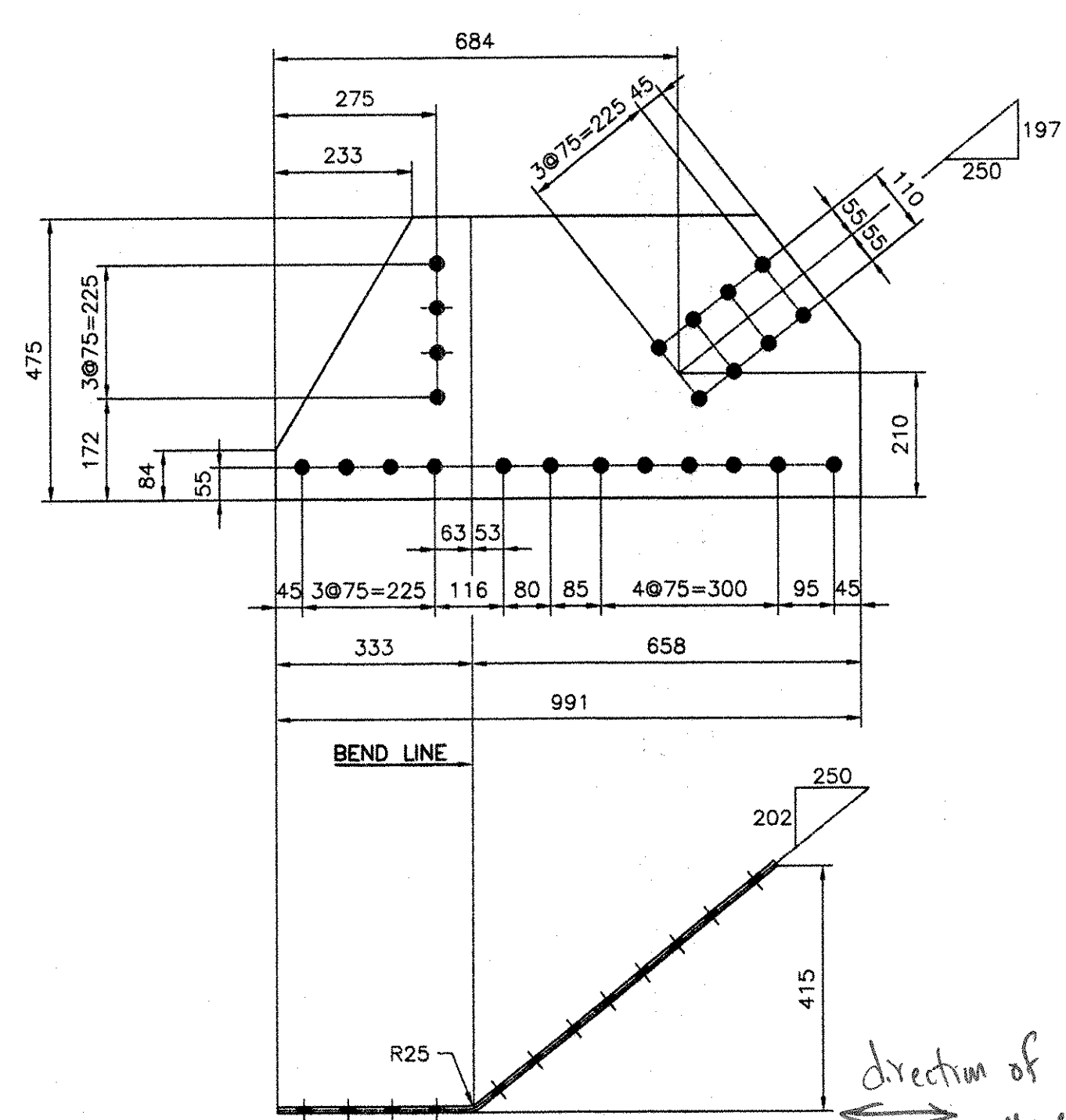


ITEM x157pp (24 REQ'D)  
(PL14x230x670)  
M270M-GR345 (CVN) (ABM #55)

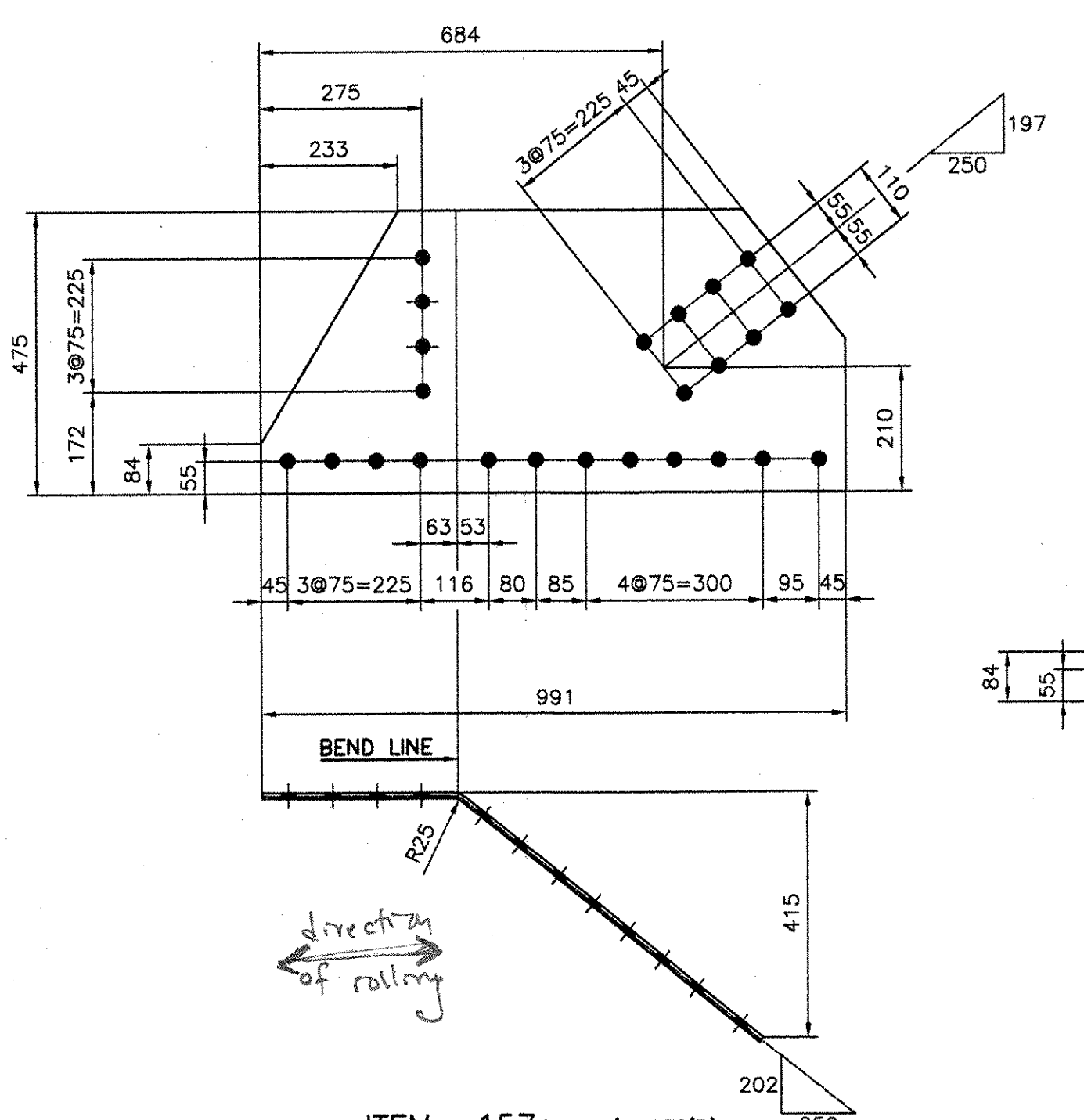


ITEM x157pv (4 REQ'D)  
(PL10x446x480)  
(ABM #51)

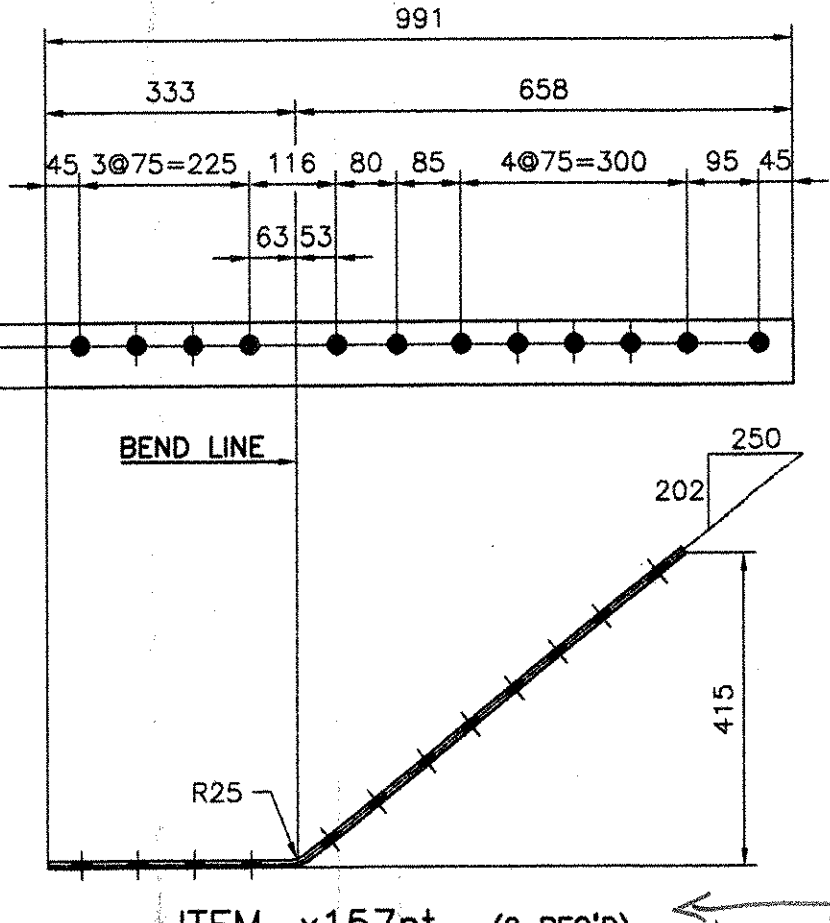
- NOTES:  
1- GENERAL NOTES: SEE GN101  
2- HOLES: 15/16" (24#) (UN)  
3- ALL STEEL SHALL BE GALVANIZED, SEE GN101  
4- ALL MATERIAL SHALL BE M270M-GR345 (UN)  
5- ALL HOLES SHALL BE "CNC" DRILLED (UN)



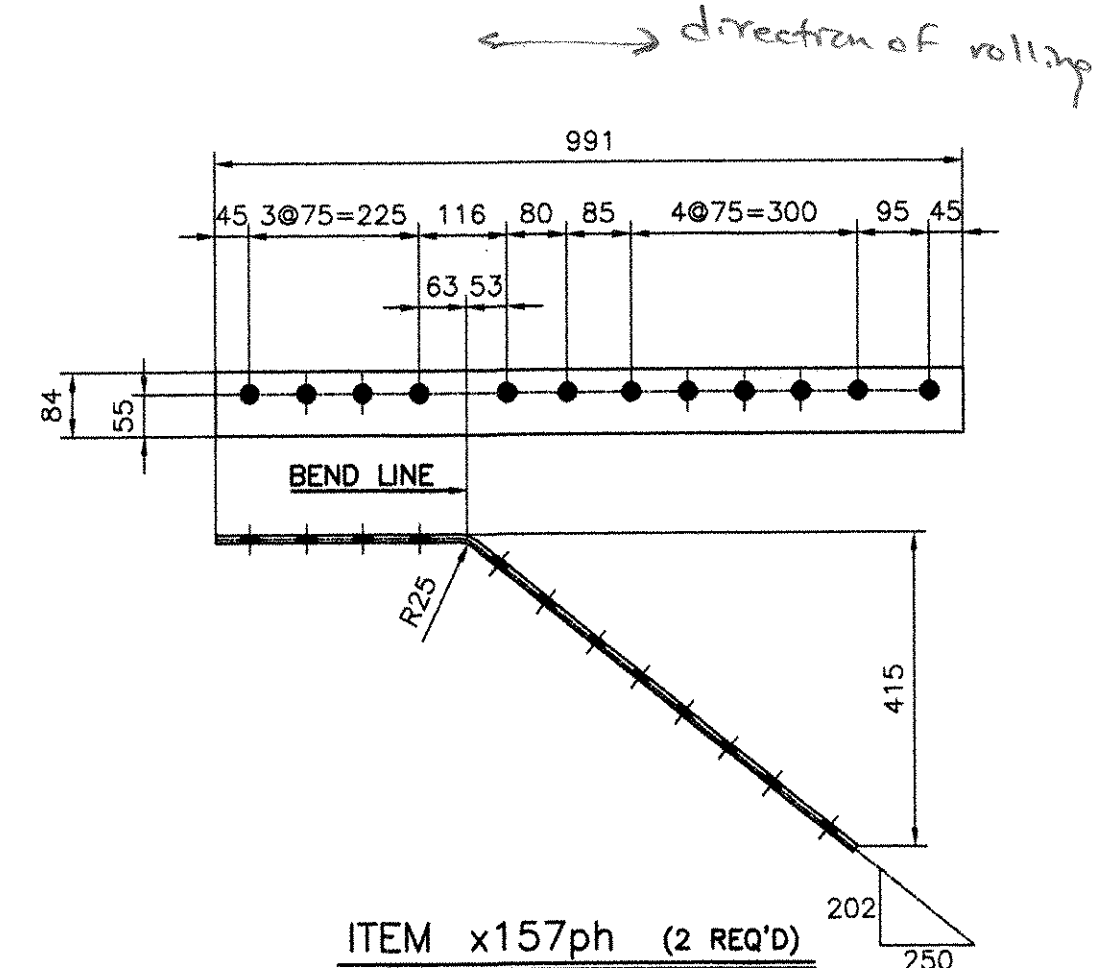
ITEM x157ps (2 REQ'D)  
(PL10x475x991)  
M270M-GR345 (CVN) (ABM #78)



ITEM x157pg (2 REQ'D)  
(PL10x475x991)  
M270M-GR345 (CVN) (ABM #78)



ITEM x157pt (2 REQ'D)  
(PL10x84x991)  
M270M-GR345 (CVN) (ABM #59)



ITEM x157ph (2 REQ'D)  
(PL10x84x991)  
M270M-GR345 (CVN) (ABM #59)

NOTICE  
This drawing shall not be used or reproduced in any manner, nor shall any similar drawings or structures be made therefrom, nor shall the information thereon be used for any purpose other than that for which it is released without the written consent of an officer of EASTERN BRIDGE LLC.

RESERVED FOR STAMPS

REV	DATE	DESCRIPTION	QTY	DATE	ISSUED TO	FOR
8	4/8/05	FW. w/ items Construction			Approval	

PROJECT: ROUTE 100 OVER THE WEST RIVER			
LOCATION: TOWN OF JAMAICA			
ENGINEER: CLD CONSULTING ENGINEERS			
CUSTOMER: VERMONT A. O. T.			
DRAWING TITLE: DETAILS			
DRAWN BY: BR	03/04/05	JOB	SHEET
CHECKED BY: GG	03/30/05	NUMBER: 5075	NUMBER: X157

EASTERN BRIDGE LLC  
RURAL RTE 2, BOX 302  
CLAREMONT, NH 03743  
603-542-5202