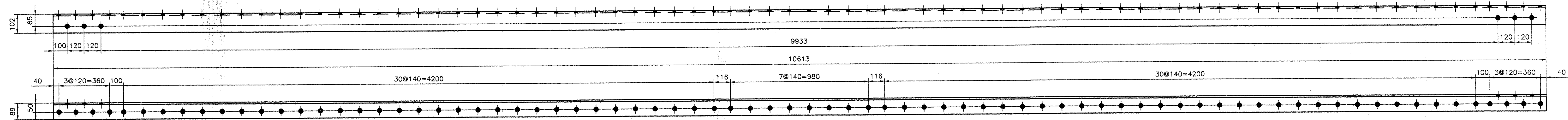
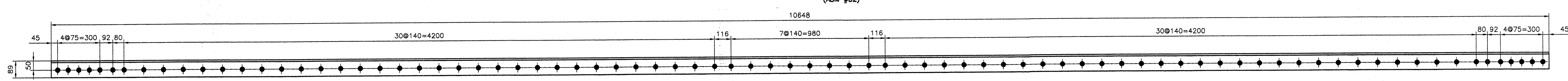


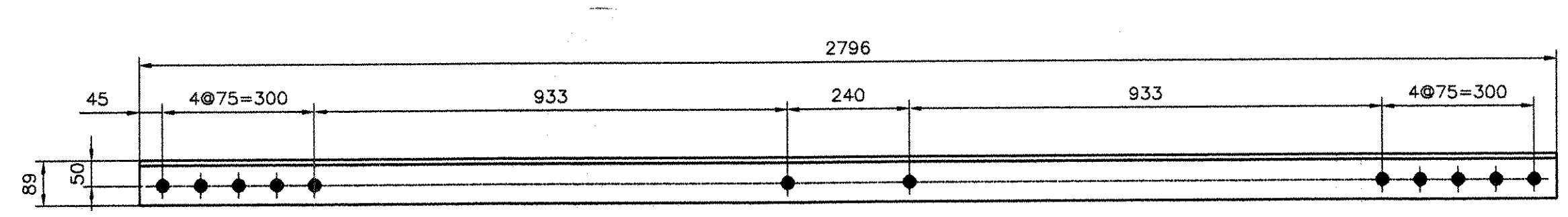
ITEM x156ma (8 REQ'D)  
(L102x89x9.5x10613)  
(ABM #32)



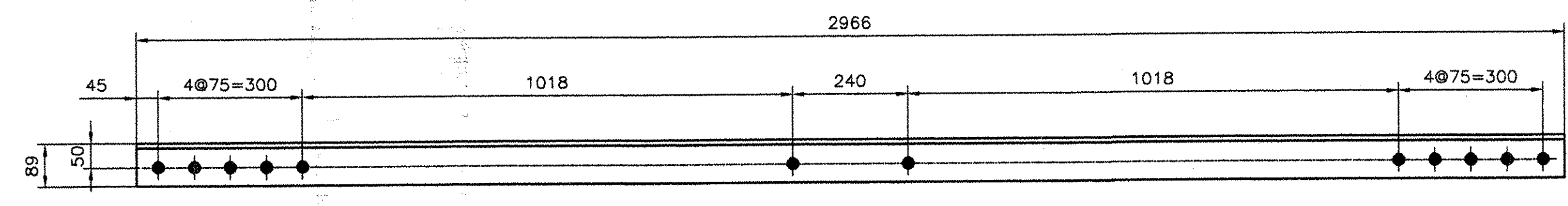
ITEM x156mr (8 REQ'D)  
(L102x89x9.5x10613)  
(ABM #32)



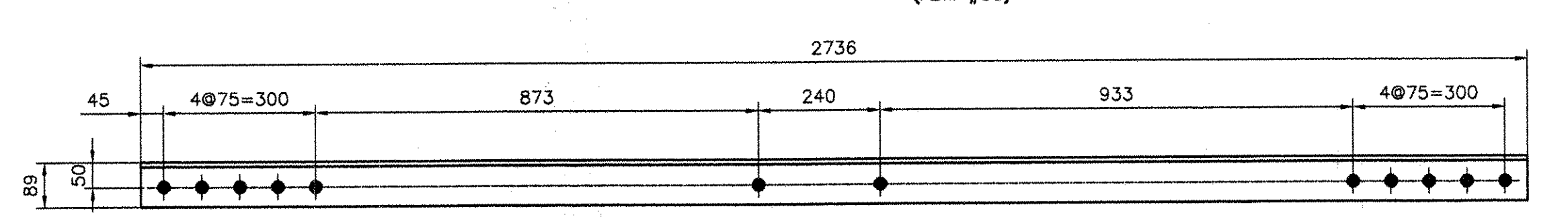
ITEM x156mb (8 REQ'D)  
(L102x89x9.5x10648)  
(ABM #34)



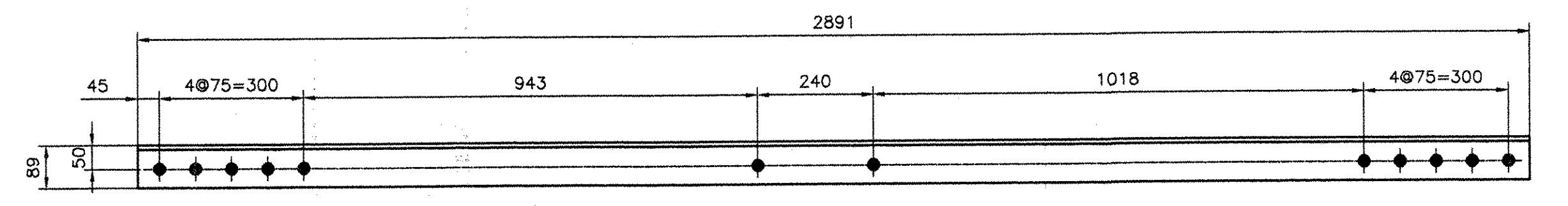
ITEM x156mc (8 REQ'D)  
(L89x89x9.5x2796)  
(ABM #38)



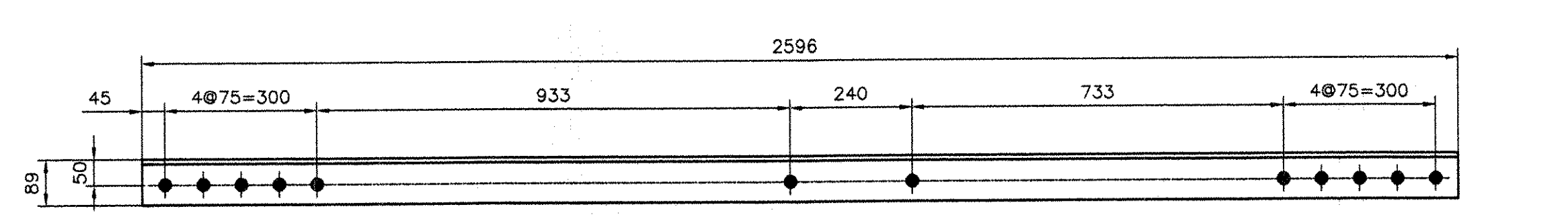
ITEM x156mw (8 REQ'D)  
(L89x89x9.5x2966)  
(ABM #39)



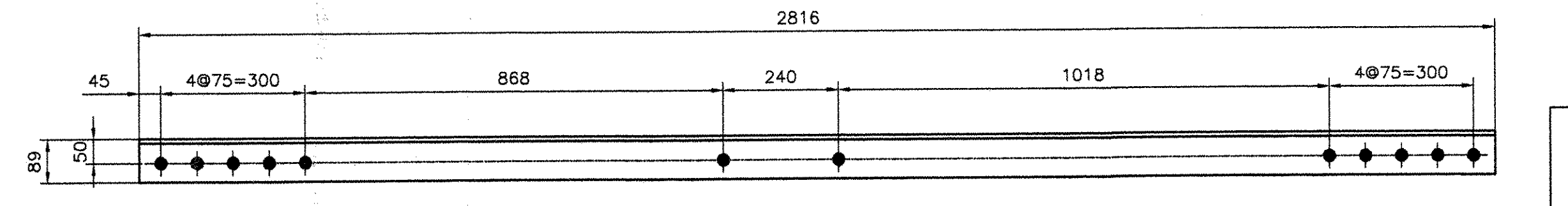
ITEM x156md (4 REQ'D)  
(L89x89x9.5x2736)  
(ABM #38)



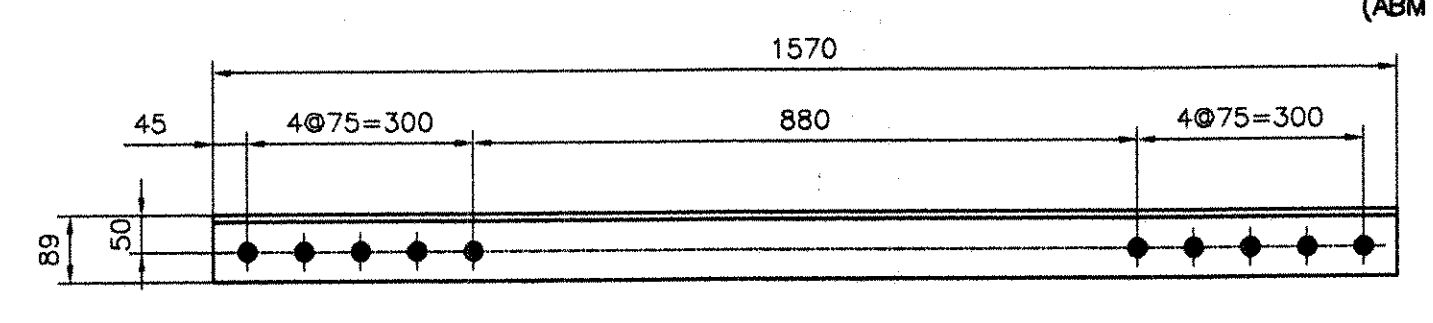
ITEM x156ms (4 REQ'D)  
(L89x89x9.5x2891)  
(ABM #39)



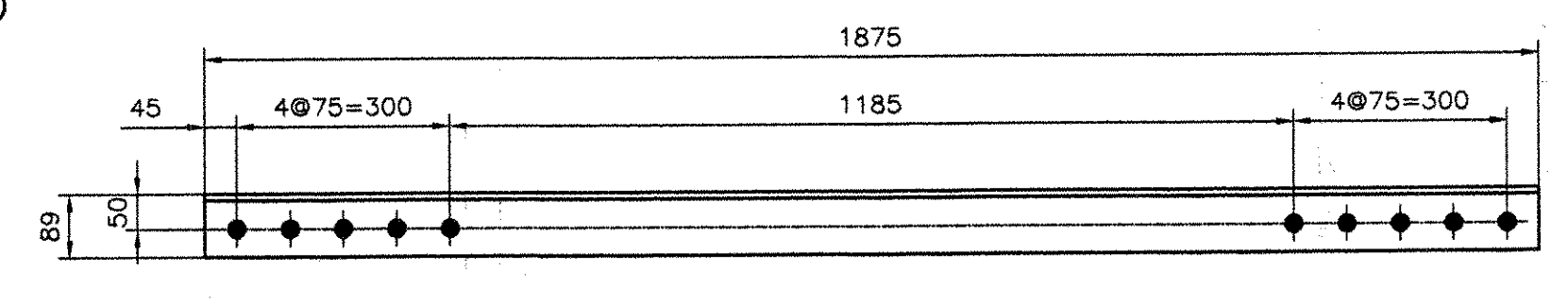
ITEM x156mf (4 REQ'D)  
(L89x89x9.5x2596)  
(ABM #38)



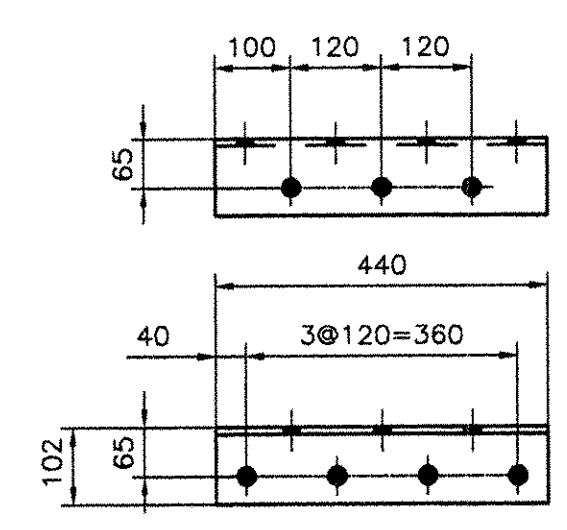
ITEM x156mt (4 REQ'D)  
(L89x89x9.5x2816)  
(ABM #39)



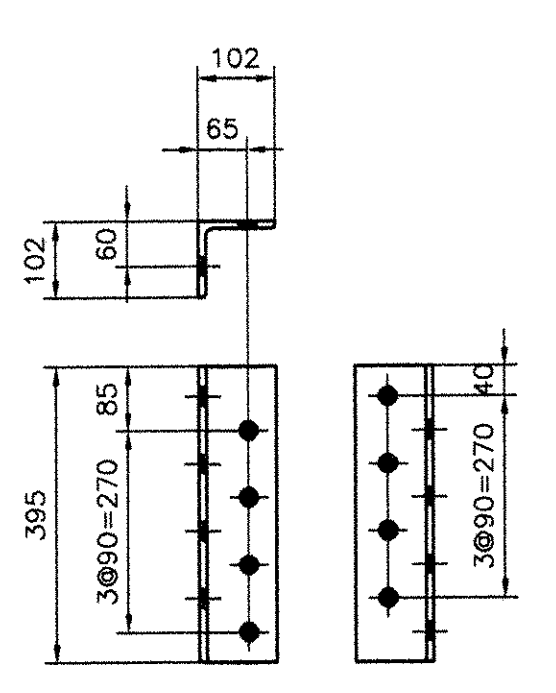
ITEM x156mg (12 REQ'D)  
(L89x89x9.5x1570)  
(ABM #36)



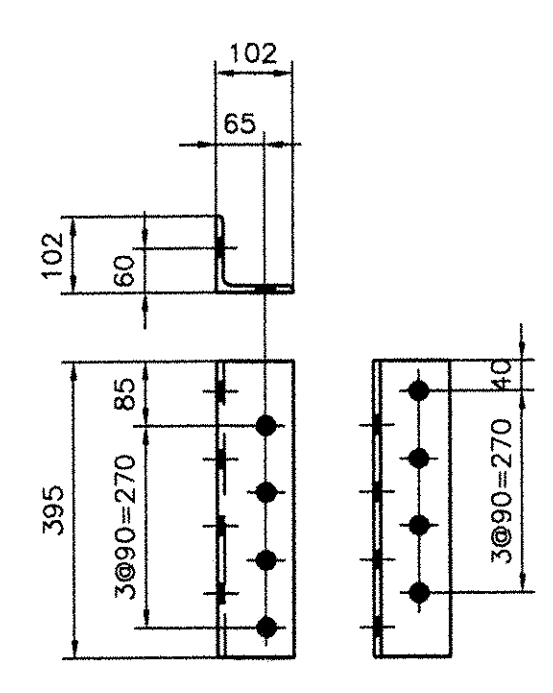
ITEM x156mv (12 REQ'D)  
(L89x89x9.5x1875)  
(ABM #37)



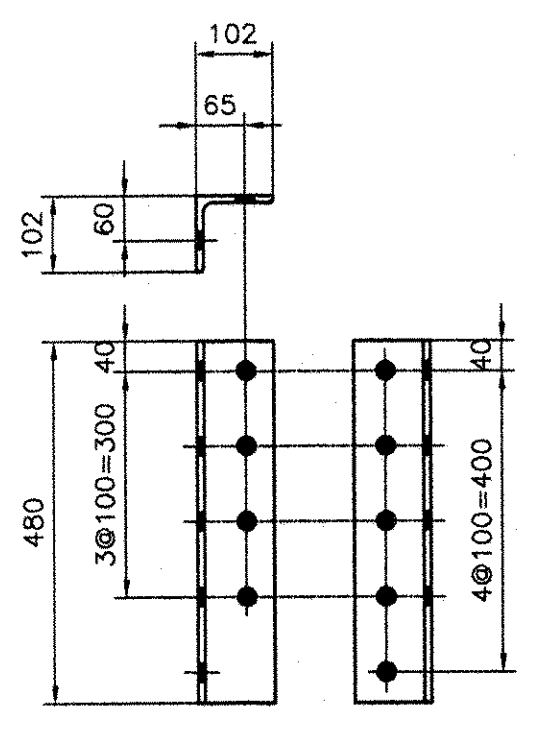
ITEM x156mh (16 REQ'D)  
(L102x102x9.5x440)  
(ABM #40)



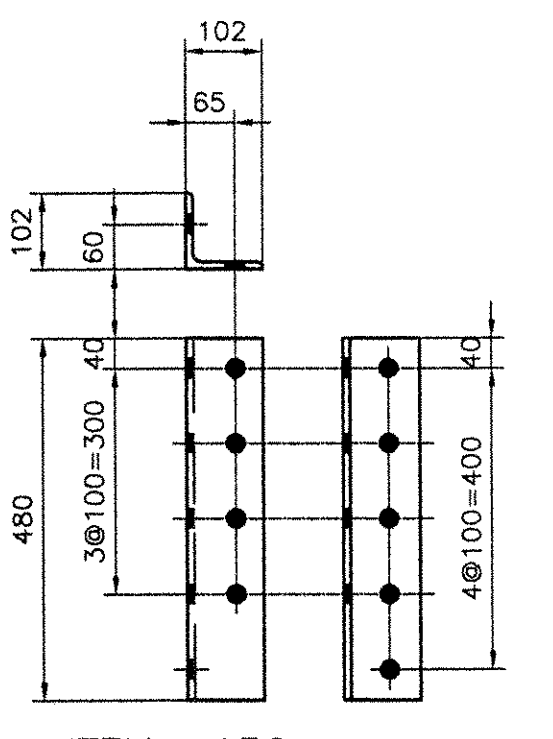
ITEM x156mn (8 REQ'D)  
(L102x102x9.5x395)  
(ABM #40)



ITEM x156mp (8 REQ'D)  
(L102x102x9.5x395)  
(ABM #40)



ITEM x156mk (8 REQ'D)  
(L102x102x9.5x480)  
(ABM #40)



ITEM x156mm (8 REQ'D)  
(L102x102x9.5x480)  
(ABM #40)

- NOTES:
- 1- GENERAL NOTES: SEE GN101
  - 2- HOLES: 15/16" (24#) (UN)
  - 3- ALL STEEL SHALL BE GALVANIZED, SEE GN101
  - 4- ALL MATERIAL SHALL BE M270M-GR345 (UN)
  - 5- ALL HOLES SHALL BE "CNC" DRILLED (UN)

RESERVED FOR STAMPS

REV	DATE	DESCRIPTION	QTY	DATE	ISSUED TO	FOR

PROJECT: ROUTE 100 OVER THE WEST RIVER  
 LOCATION: TOWN OF JAMAICA  
 ENGINEER: CLD CONSULTING ENGINEERS  
 CUSTOMER: VERMONT A. O. T.  
 DRAWING TITLE: DETAILS  
 DRAWN BY: BR 03/02/05 JOB  
 CHECKED BY: GG 04/01/05 NUMBER: 5075 SHEET NUMBER: X156

NOTICE  
 This drawing shall not be used or reproduced in any manner, nor shall any similar drawings or structures be made therefrom, nor shall the information thereon be used for any purpose other than that for which it is released without the written consent of an officer of EASTERN BRIDGE LLC.

