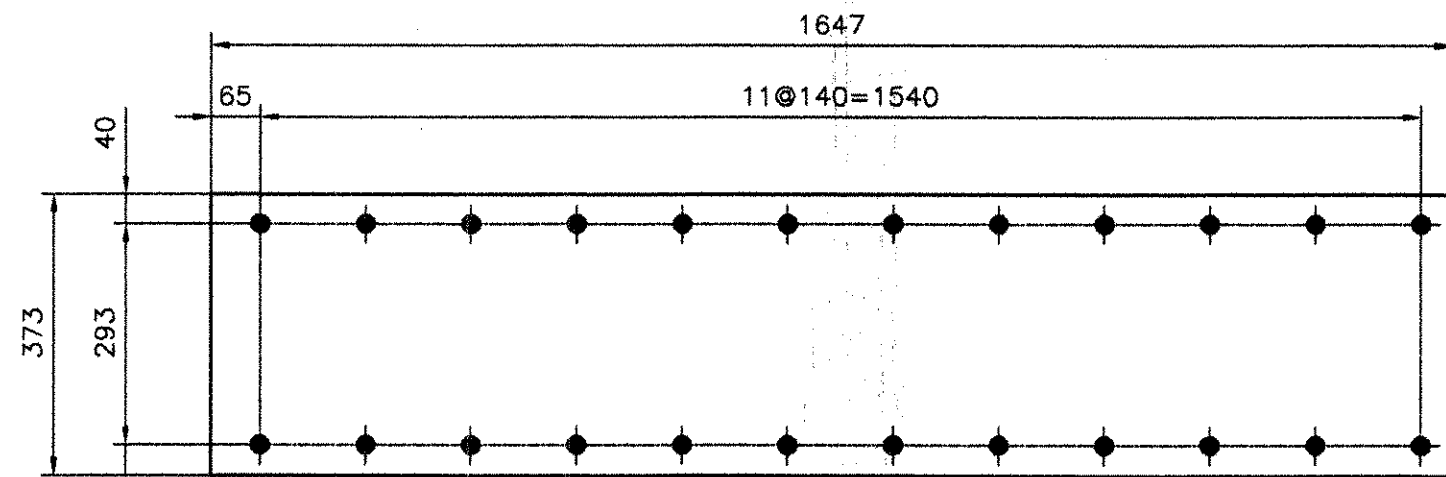
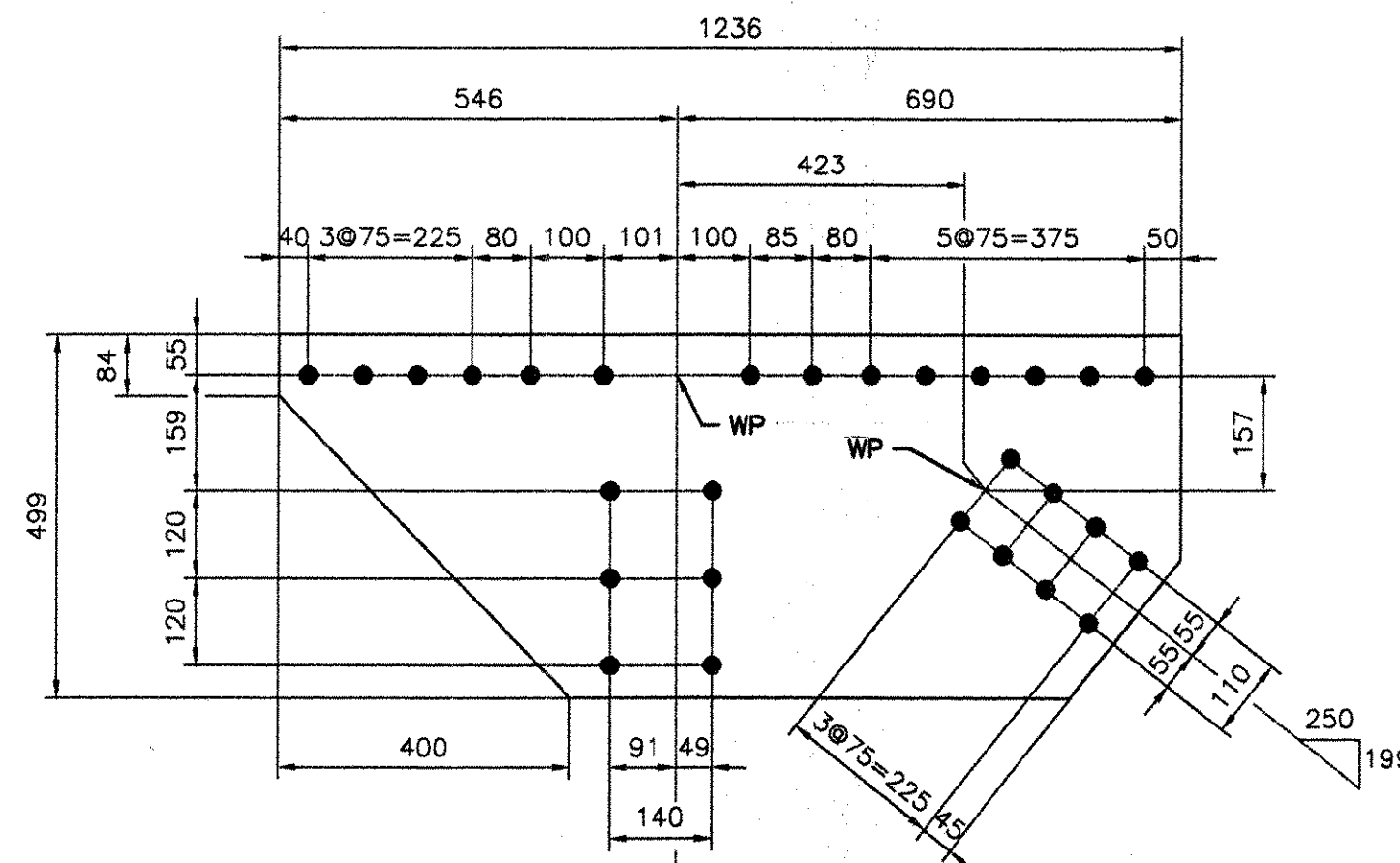


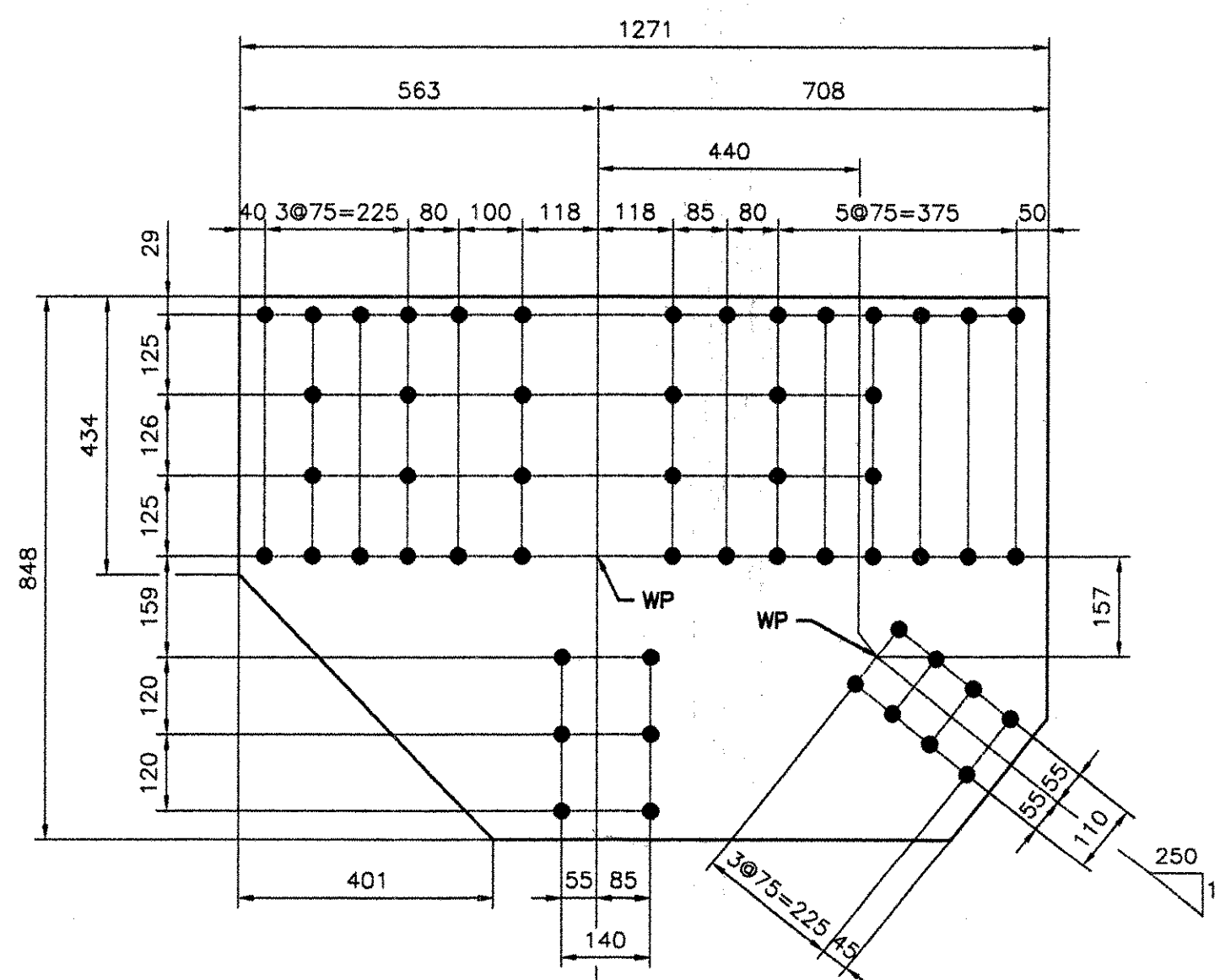
ITEM x155pa (8 REQ'D)
(PL10x373x1965)
(ABM #33)



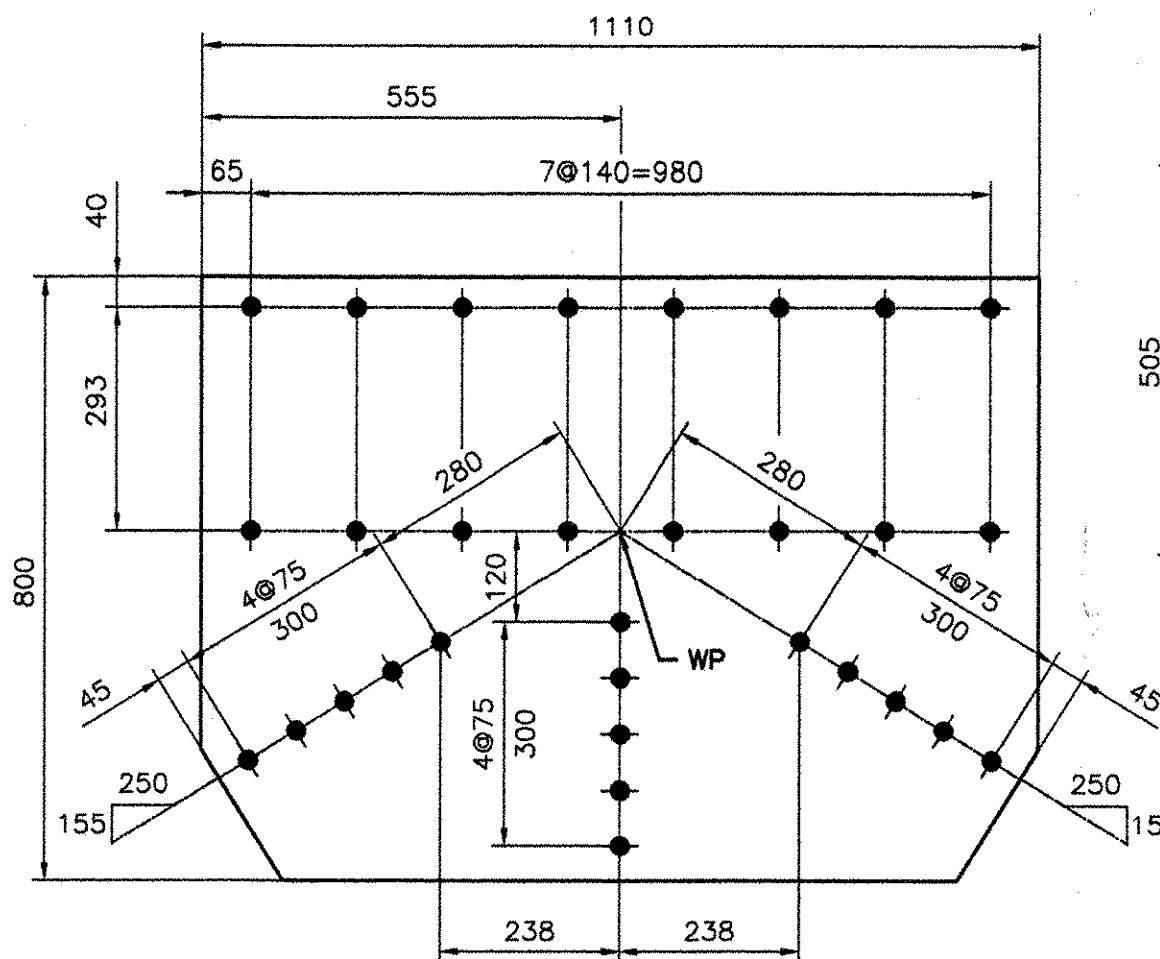
ITEM x155pb (8 REQ'D)
(PL10x373x1647)
(ABM #33)



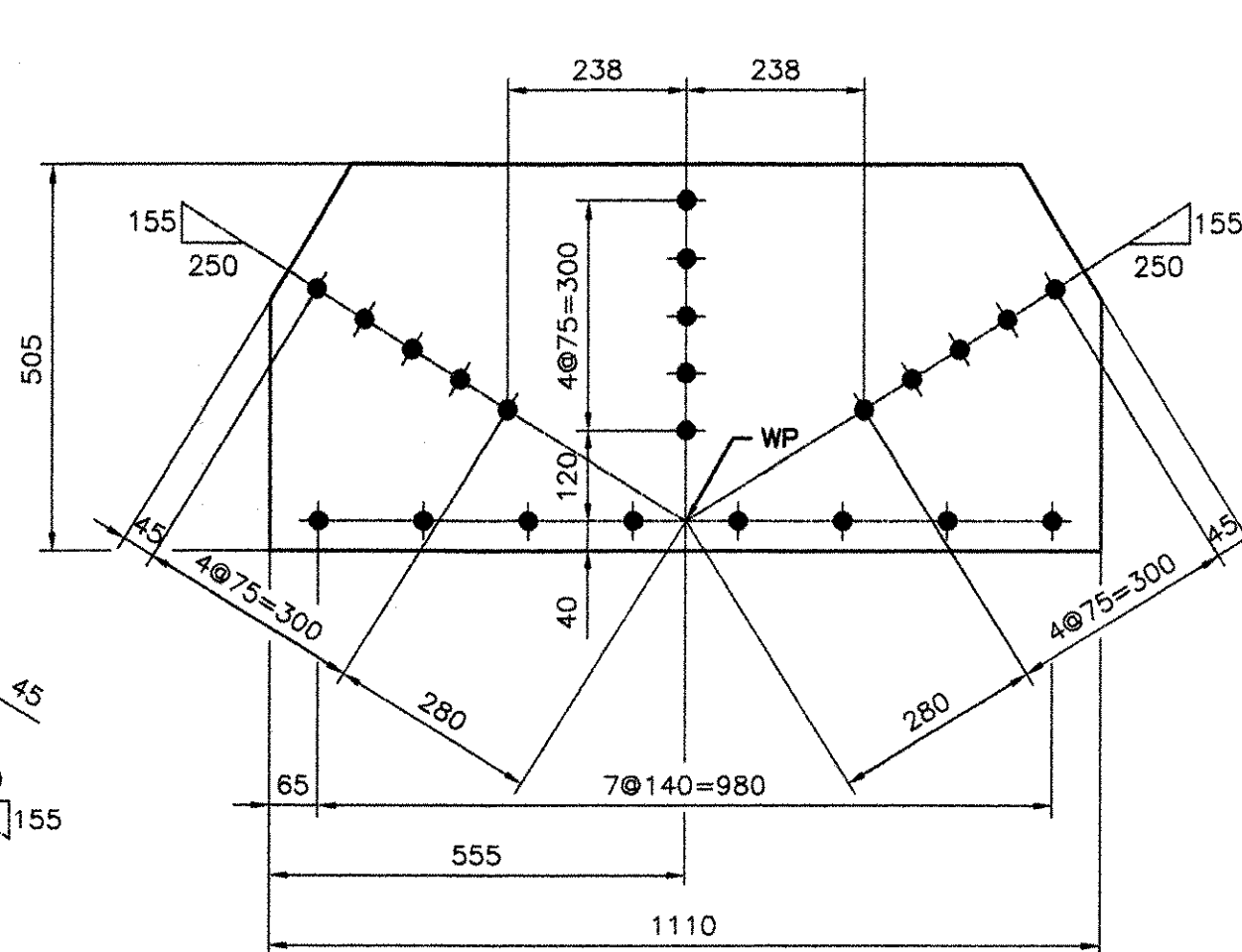
ITEM x155pr (2 REQ'D)
(PL10x499x1236)
M270M-GR345 (CVN) (ABM #90)



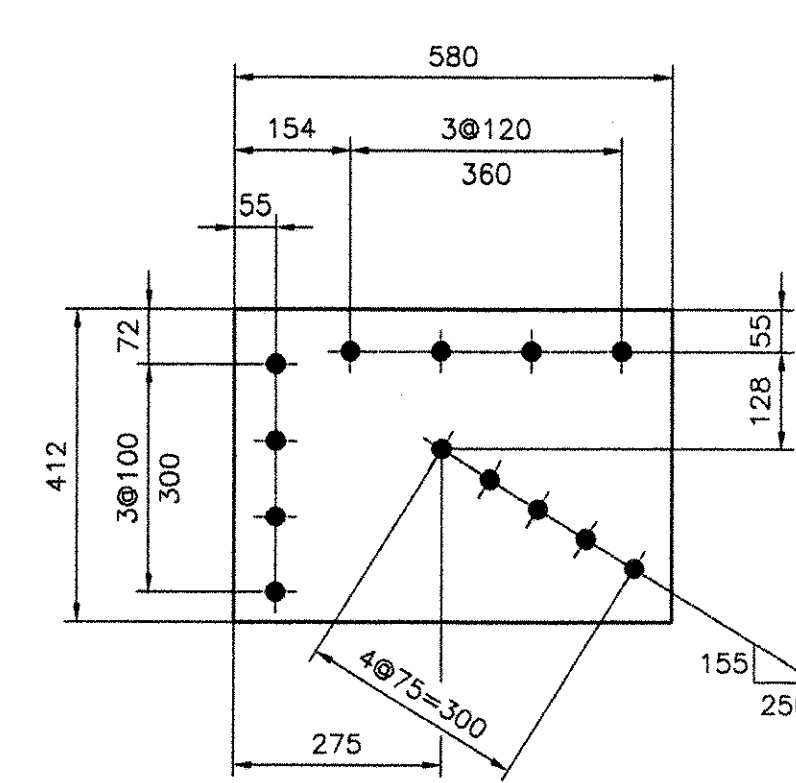
ITEM x155pn (2 REQ'D)
(PL10x848x1271)
M270M-GR345 (CVN) (ABM #89)



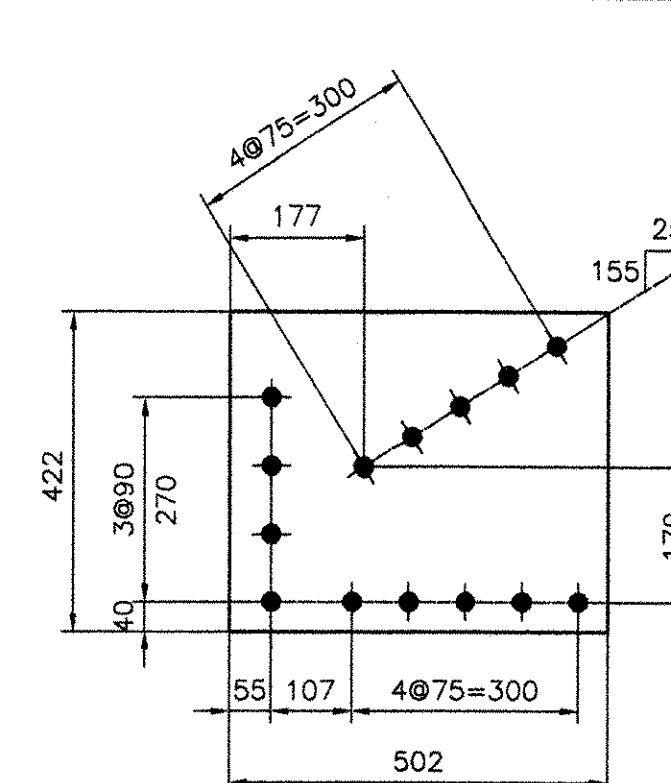
ITEM x155pc (6 REQ'D)
(PL10x800x1110)
(ABM #85)



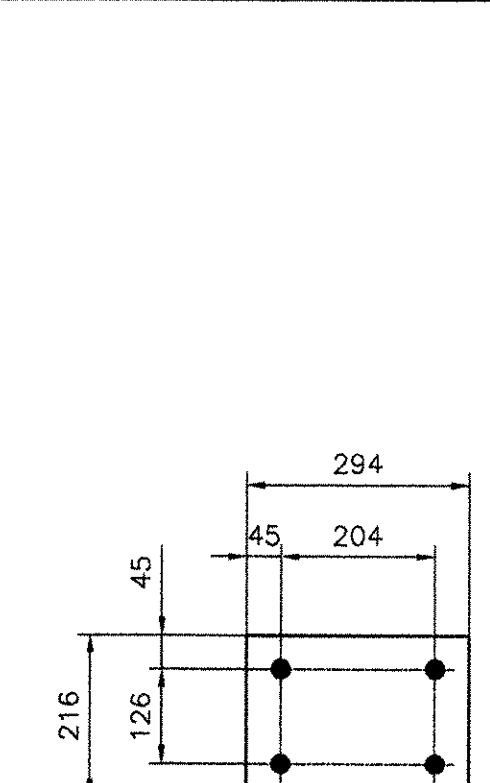
ITEM x155pk (6 REQ'D)
(PL10x505x1110)
(ABM #88)



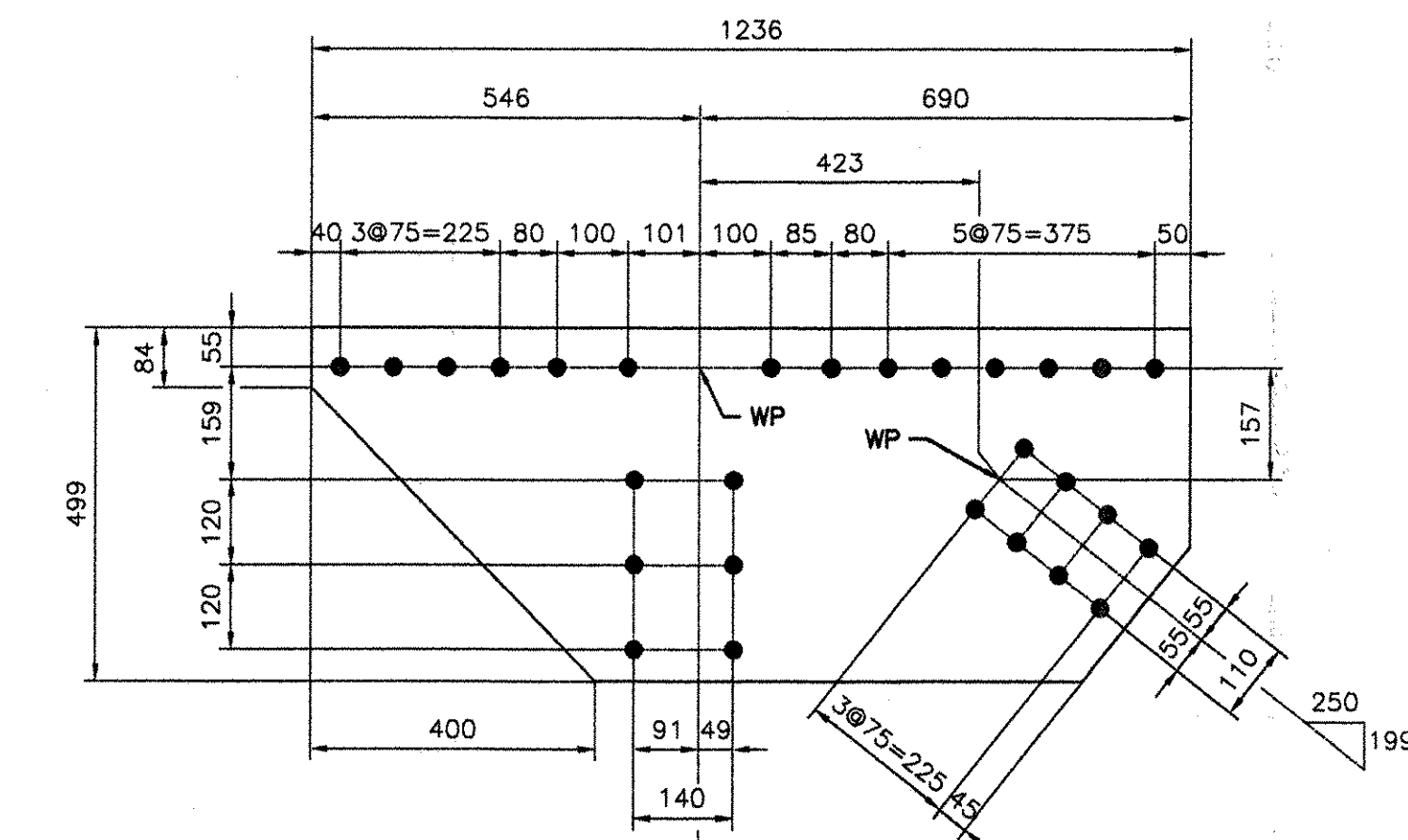
ITEM x155pg (4 REQ'D)
(PL10x412x580)
(ABM #87)



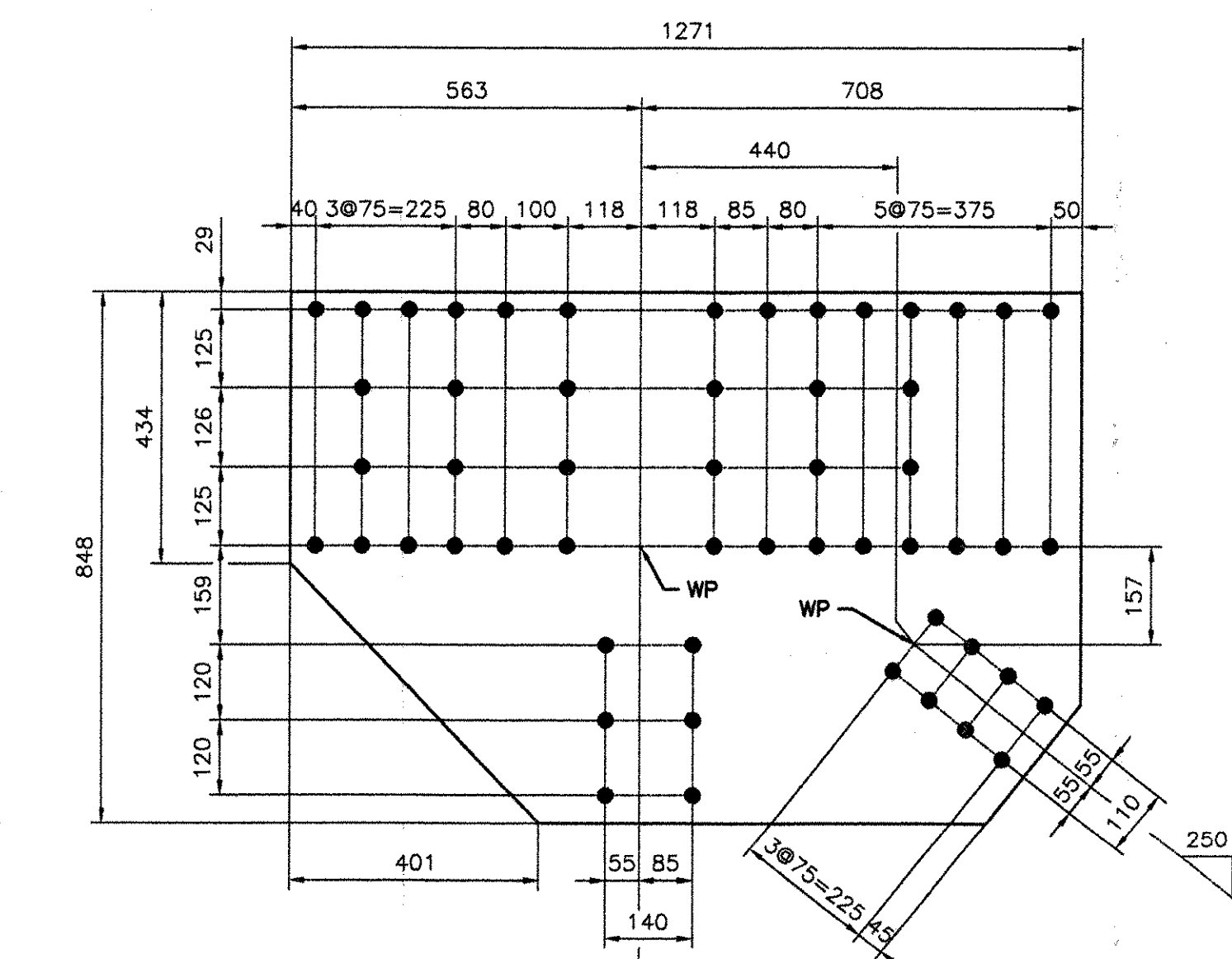
ITEM x155ph (4 REQ'D)
(PL10x422x502)
(ABM #87)



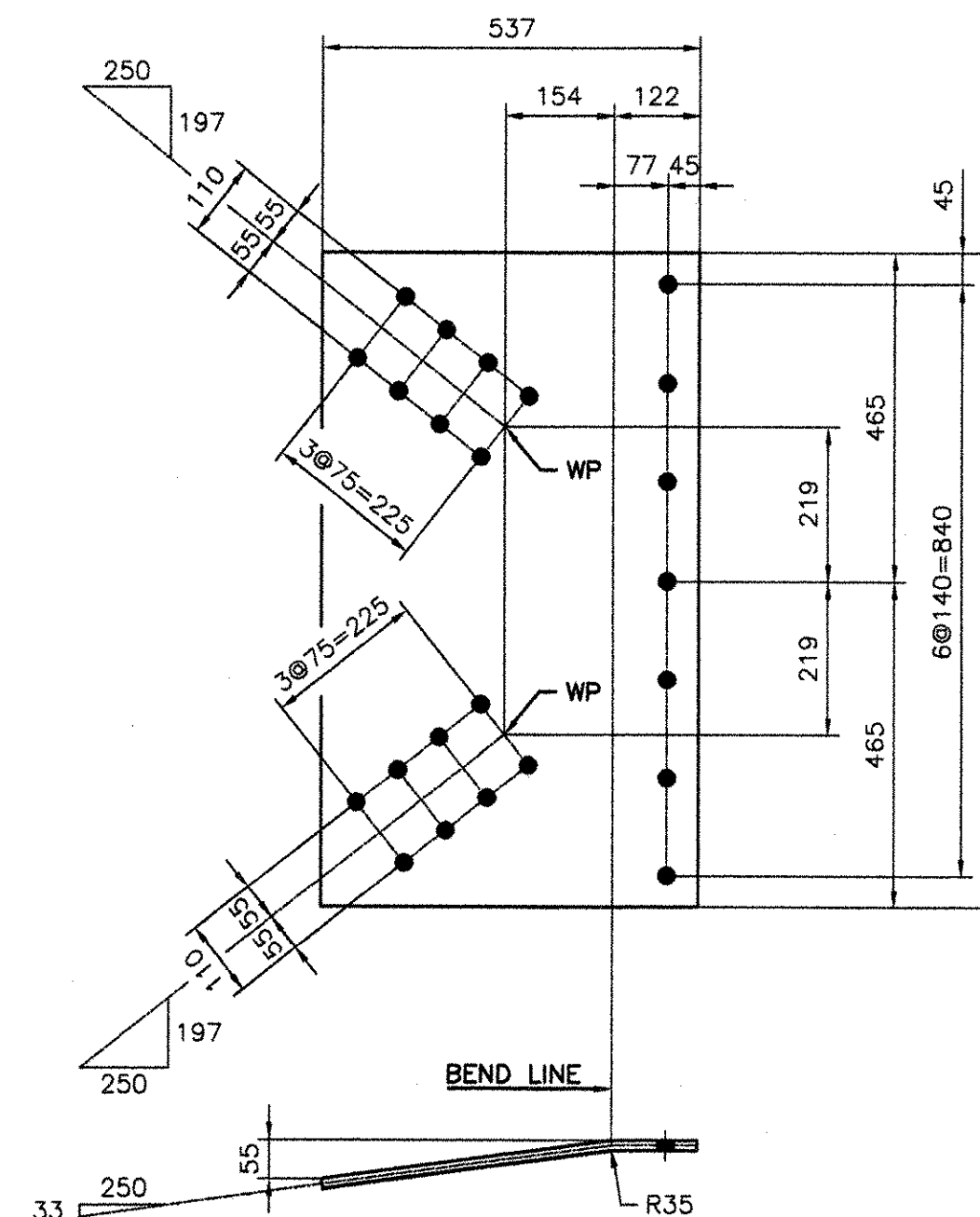
ITEM x155pf (8 REQ'D)
(PL10x216x294)
(ABM #86)



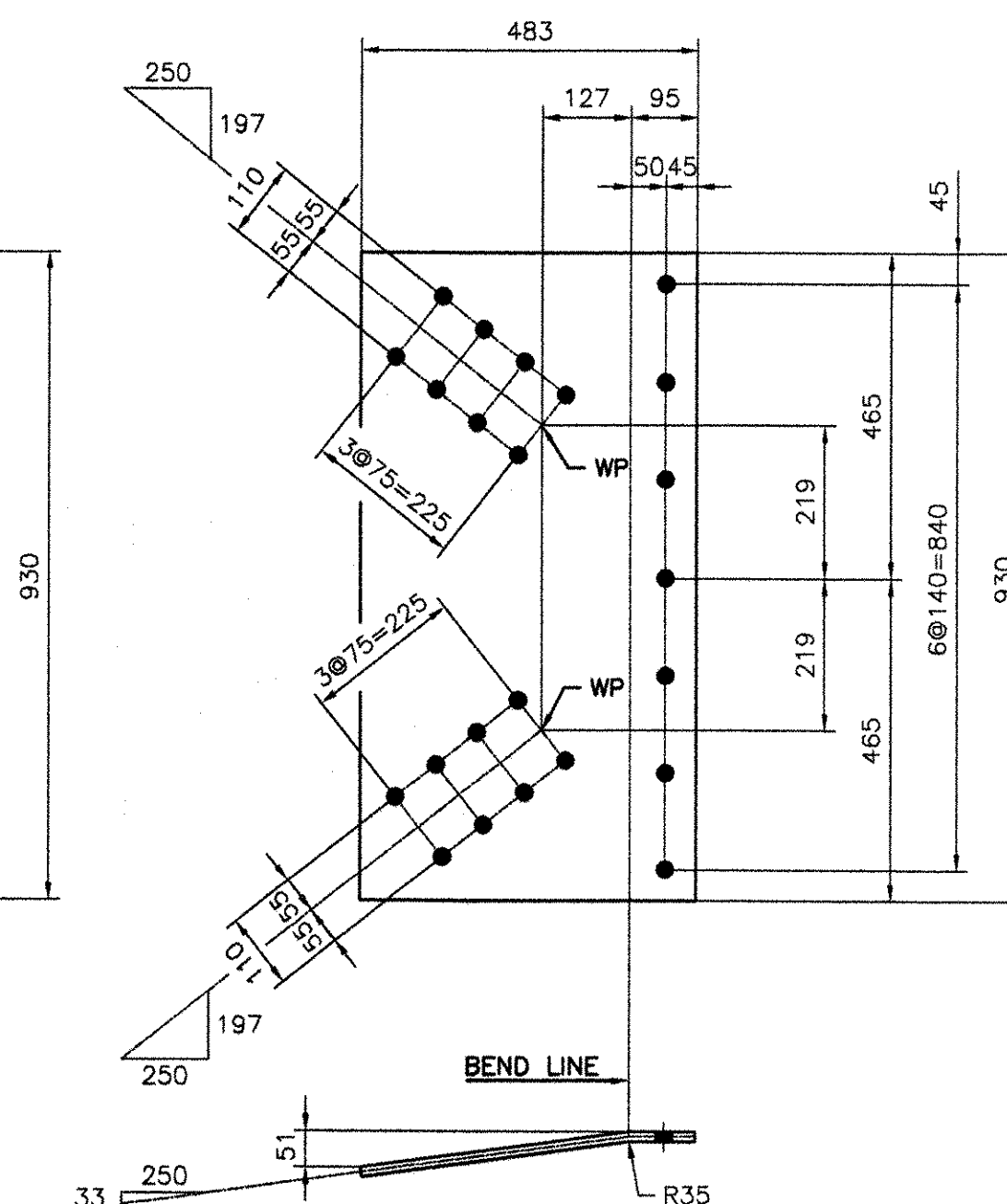
ITEM x155ps (2 REQ'D)
(PL10x499x1236)
M270M-GR345 (CVN) (ABM #90)



ITEM x155pp (2 REQ'D)
(PL10x848x1271)
M270M-GR345 (CVN) (ABM #89)



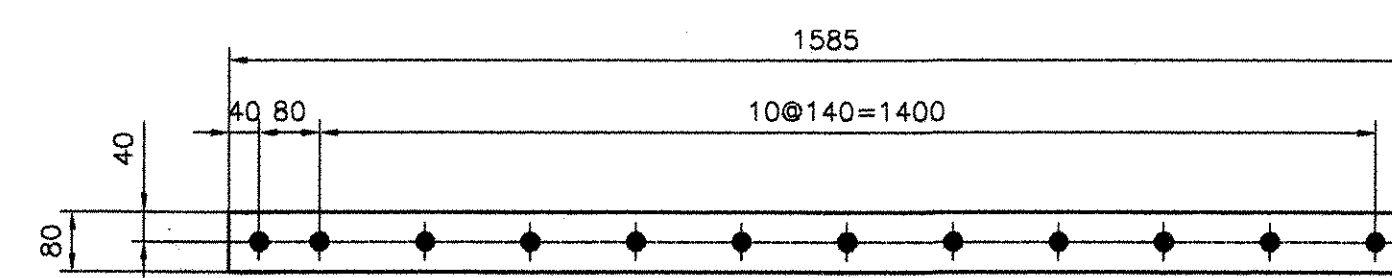
ITEM x155pt (2 REQ'D)
(PL14x537x930)
(ABM #91)



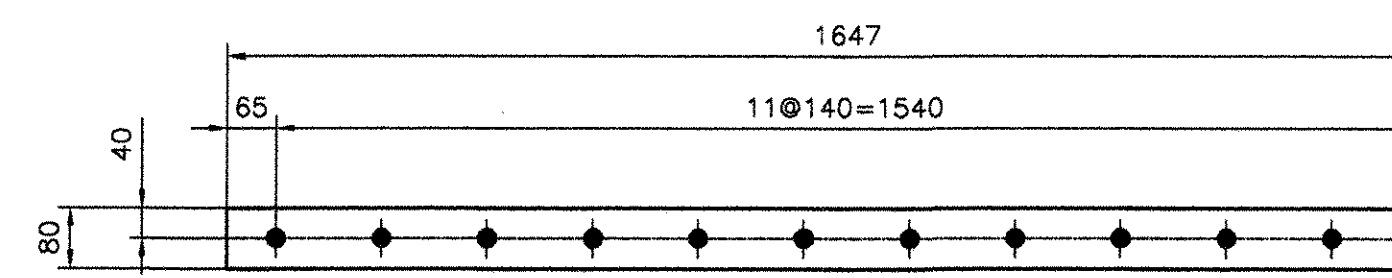
ITEM x155pv (2 REQ'D)
(PL14x483x930)
(ABM #91)

NOTES:

- 1- GENERAL NOTES: SEE GN101
- 2- HOLES: 15/16" (24#) (UN)
- 3- ALL STEEL SHALL BE GALVANIZED, SEE GN101
- 4- ALL MATERIAL SHALL BE M270M-GR345 (UN)
- 5- ALL HOLES SHALL BE "CNC" DRILLED (UN)



ITEM x155pm (8 REQ'D)
(PL10x80x1585)
(ABM #35)



ITEM x155pd (8 REQ'D)
(PL10x80x1647)
(ABM #35)

REV	DATE	DESCRIPTION

QTY	DATE	ISSUED TO	FOR

PROJECT: ROUTE 100 OVER THE WEST RIVER
LOCATION: TOWN OF JAMAICA
ENGINEER: CLD CONSULTING ENGINEERS
CUSTOMER: VERMONT A. O. T.
DRAWING TITLE: DETAILS
DRAWN BY: BR 03/02/05
CHECKED BY: GG 04/01/05

JOB NUMBER: 5075
SHEET NUMBER: X155

NOTICE
This drawing shall not be used or reproduced in any manner, nor shall any similar drawings or structures be made therefrom, nor shall the information thereon be used for any purpose other than that for which it is released without the written consent of an officer of EASTERN BRIDGE LLC.

