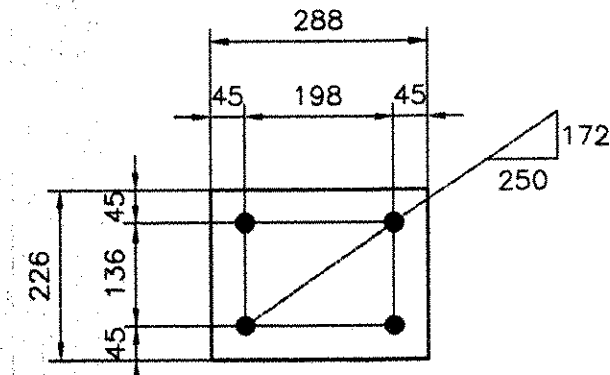
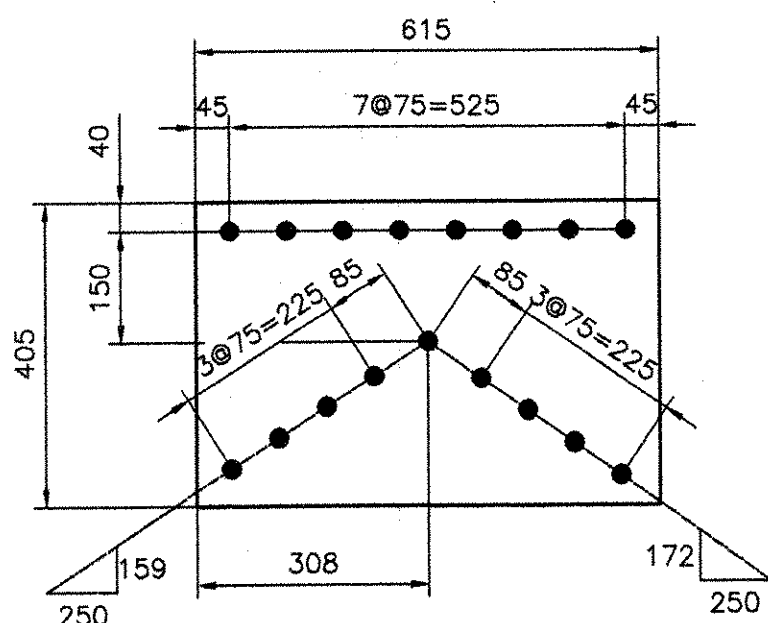


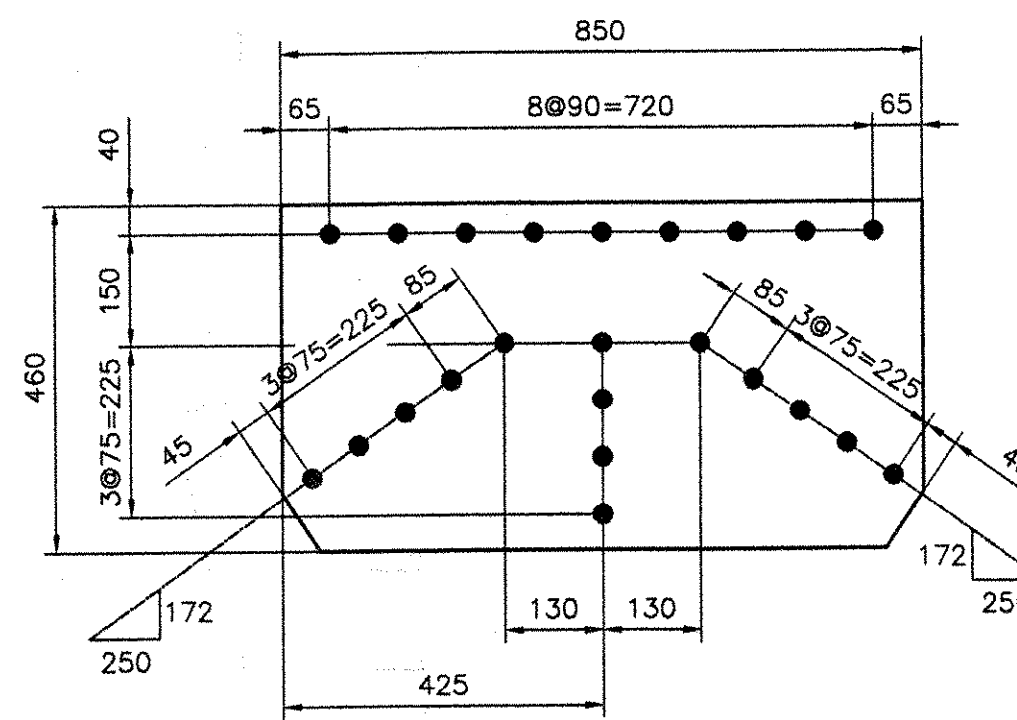
ITEM x152pa (4 REQ'D)  
(PL10 x 219 x 292)  
(ABM #83)



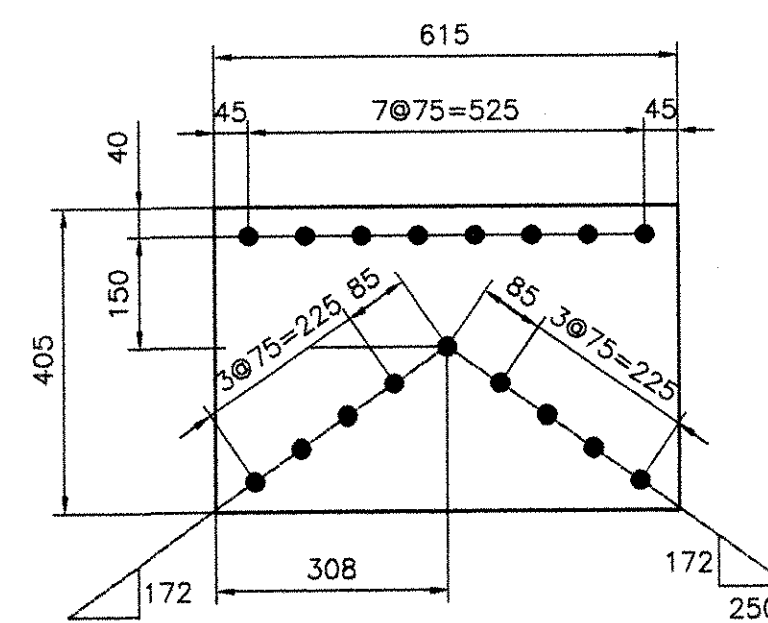
ITEM x152pb (8 REQ'D)  
(PL10 x 226 x 288)  
(ABM #83)



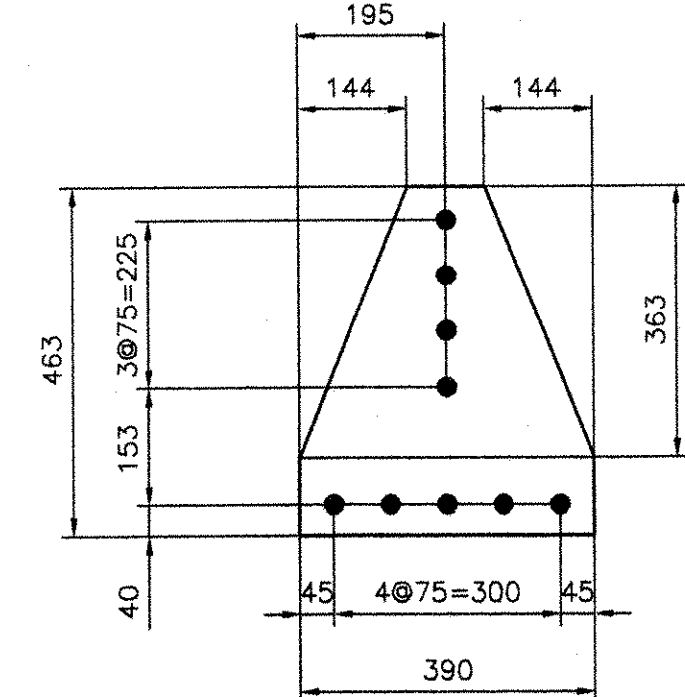
ITEM x152pf (4 REQ'D)  
(PL10 x 405 x 615)  
(ABM #82)



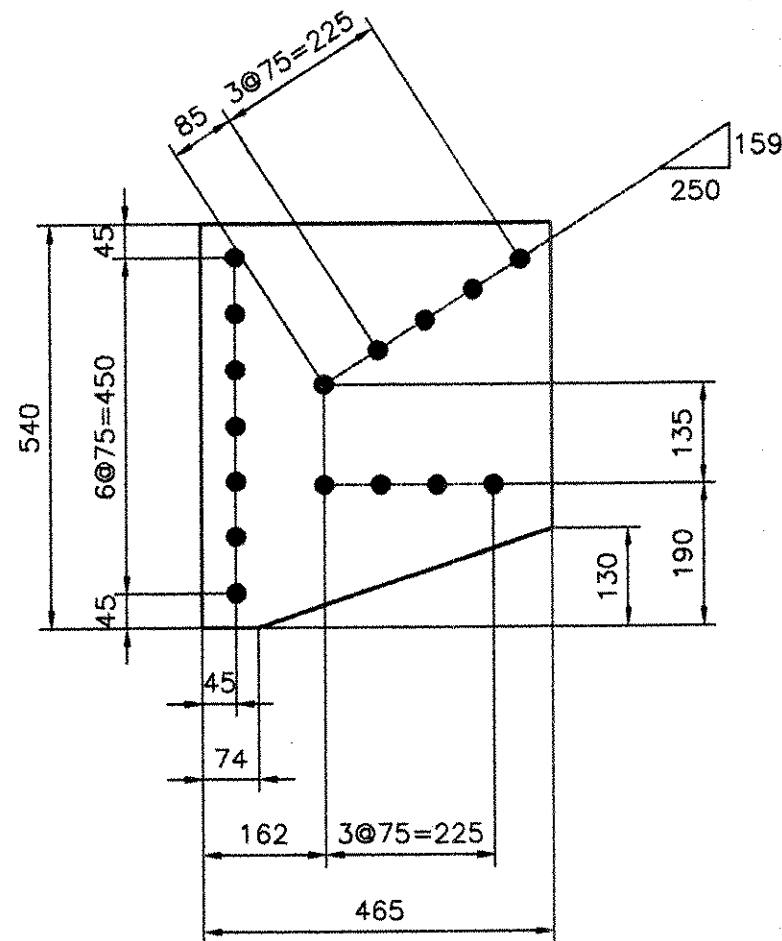
ITEM x152ph (4 REQ'D)  
(PL10 x 460 x 850)  
(ABM #81)



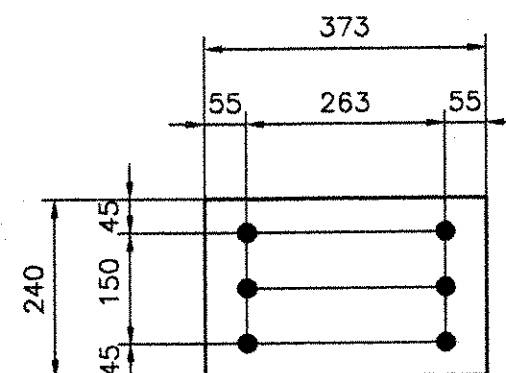
ITEM x152pm (2 REQ'D)  
(PL10 x 405 x 615)  
(ABM #82)



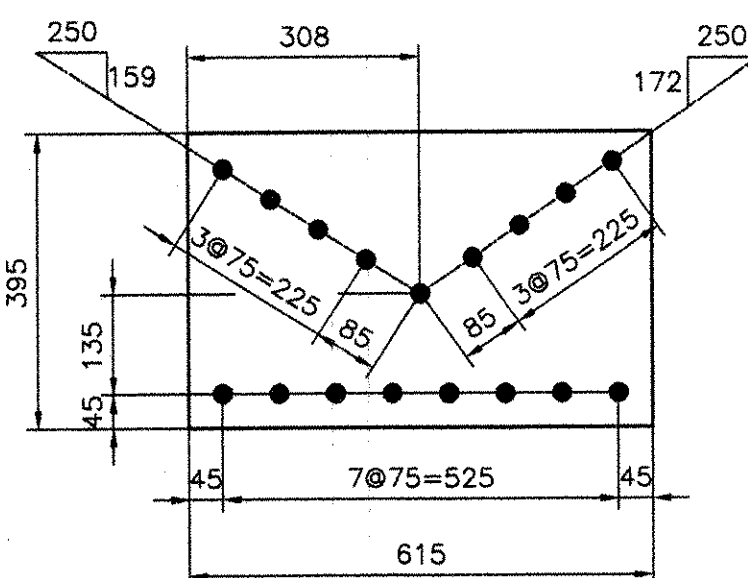
ITEM x152pp (4 REQ'D)  
(PL10 x 390 x 463)  
(ABM #82)



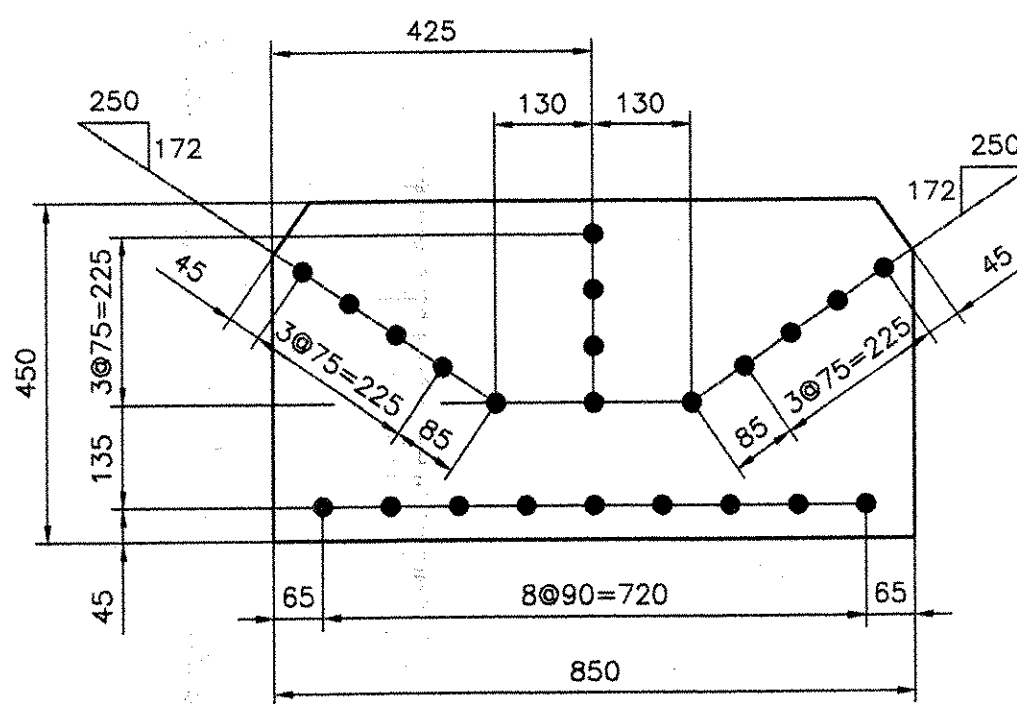
ITEM x152pc (4 REQ'D)  
(PL10 x 465 x 540)  
(ABM #79)



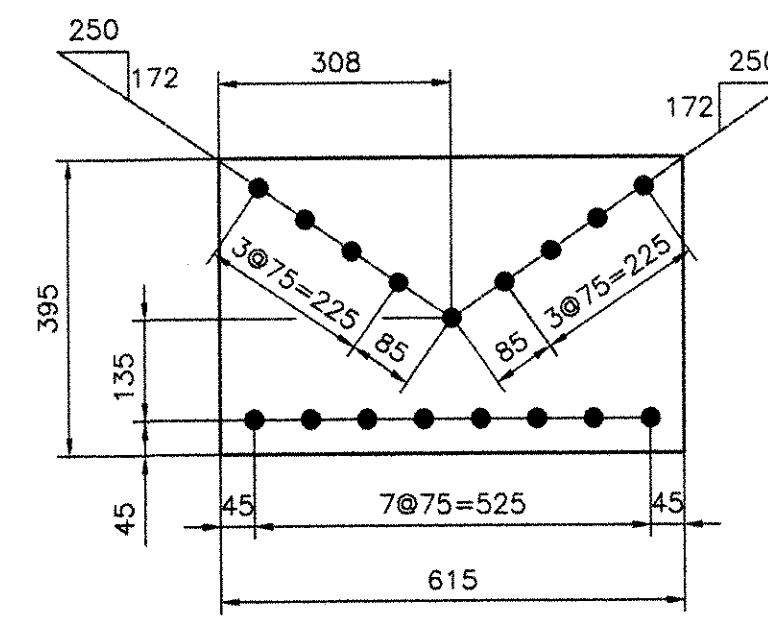
ITEM x152pd (12 REQ'D)  
(PL10 x 240 x 373)  
(ABM #84)



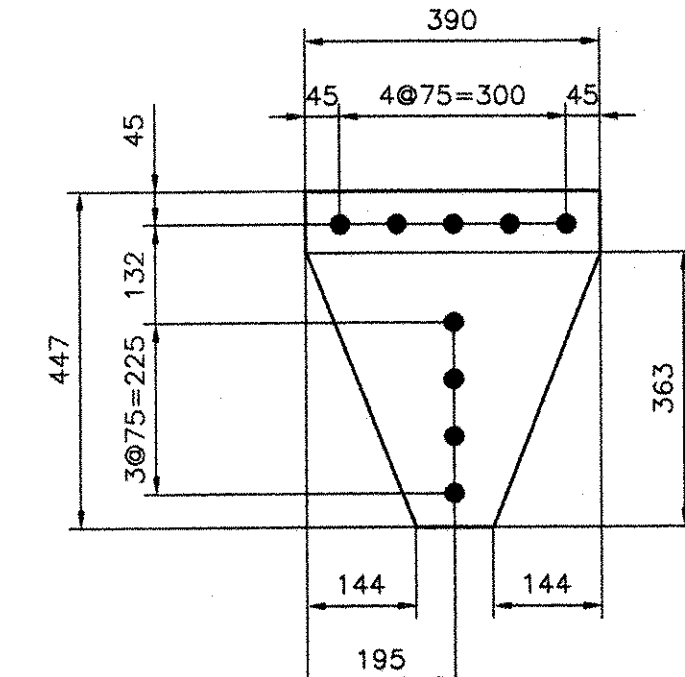
ITEM x152pg (4 REQ'D)  
(PL10 x 395 x 615)  
(ABM #82)



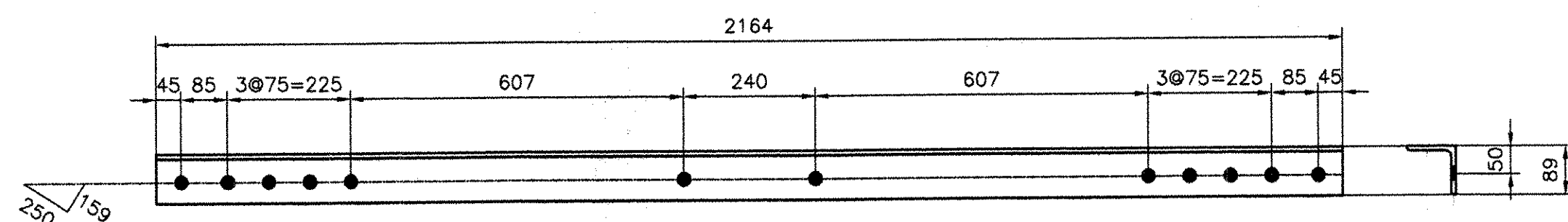
ITEM x152pk (4 REQ'D)  
(PL10 x 450 x 850)  
(ABM #81)



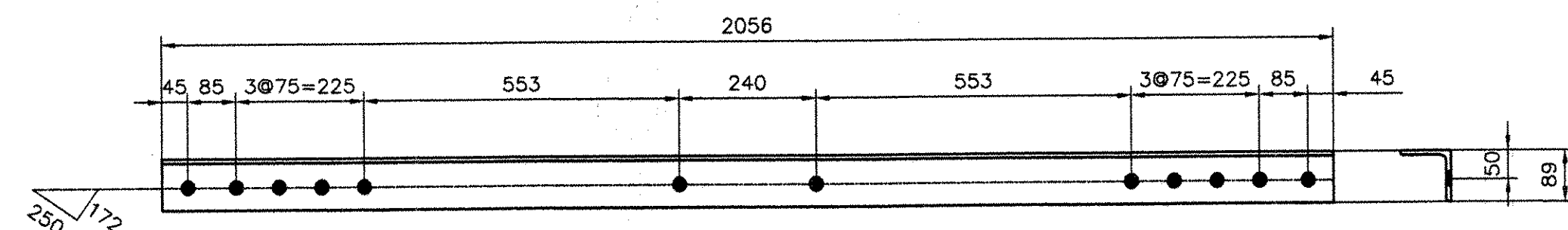
ITEM x152pn (2 REQ'D)  
(PL10 x 395 x 615)  
(ABM #82)



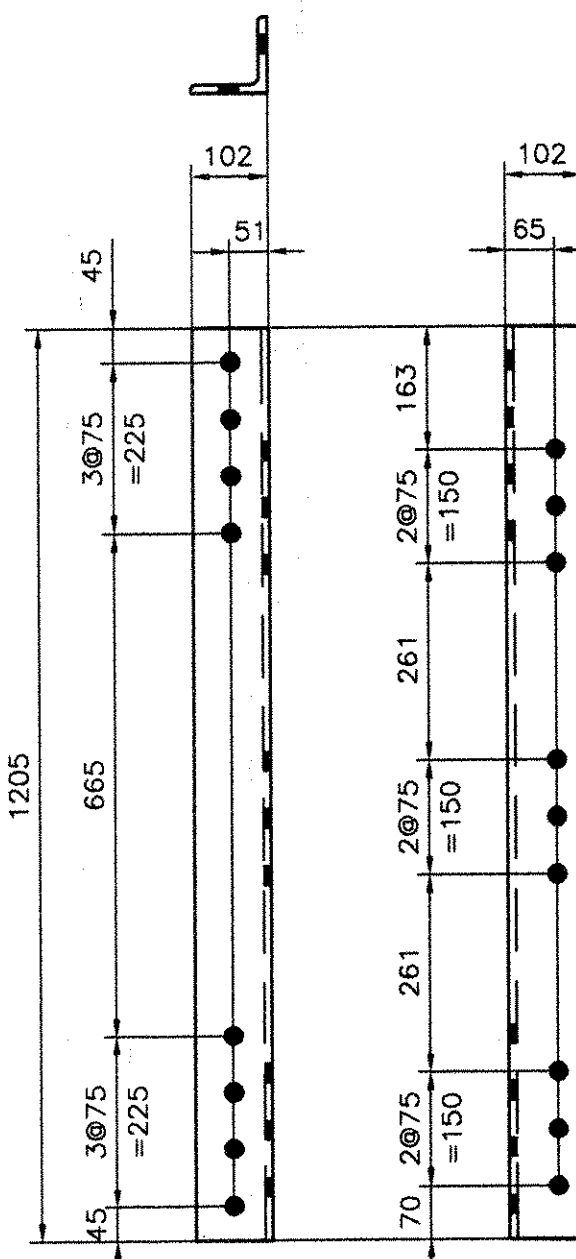
ITEM x152pr (4 REQ'D)  
(PL10 x 390 x 447)  
(ABM #82)



ITEM x152ma (8 REQ'D)  
(L89 x 89 x 9.5 x 2164)  
(ABM #30)



ITEM x152mb (16 REQ'D)  
(L89 x 89 x 9.5 x 2056)  
(ABM #30)



ITEM x152mc (8 REQ'D)  
(L102 x 102 x 9.5 x 1205)  
(ABM #29)

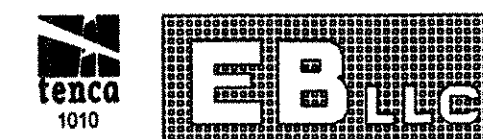
NOTES:

- 1- GENERAL NOTES: SEE GN101
- 2- HOLES: 15/16" (24#) (UN)
- 3- ALL STEEL SHALL BE GALVANIZED, SEE GN101
- 4- ALL MATERIAL SHALL BE M270M-GR345 (UN)
- 5- ALL HOLES SHALL BE "CNC" DRILLED (UN)

RESERVED FOR STAMPS

REV	DATE	DESCRIPTION	QTY	DATE	ISSUED TO	FOR
8	4/1/25	FW. Whitcomb Construction Approval				

**NOTICE**  
This drawing shall not be used or reproduced in any manner, nor shall any similar drawings or structures be made therefrom, nor shall the information thereon be used for any purpose other than that for which it is released without the written consent of an officer of EASTERN BRIDGE LLC.



**EASTERN BRIDGE LLC**  
RURAL RTE 2 BOX 302  
CLAREMONT, NH 03743  
603-542-5202

PROJECT: ROUTE 100 OVER THE WEST RIVER	
LOCATION: TOWN OF JAMAICA	
ENGINEER: CLD CONSULTING ENGINEERS	
CUSTOMER: VERMONT A. O. T.	
DRAWING TITLE: DETAILS	
DRAWN BY: YT 02/24/05 JOB	SHEET NUMBER: X152
CHECKED BY: GG 03/31/05 NUMBER: 5075	