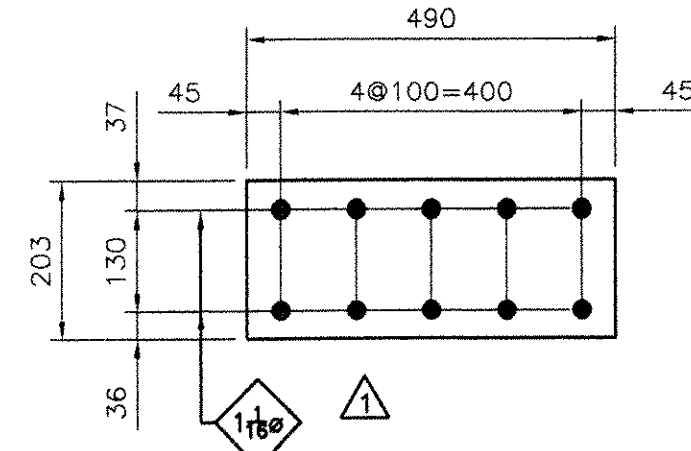
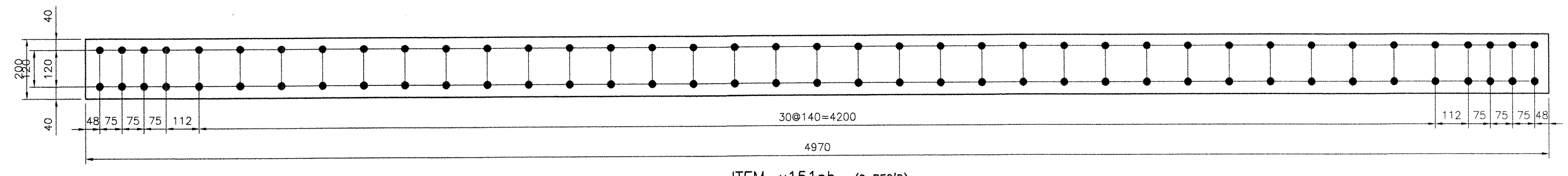


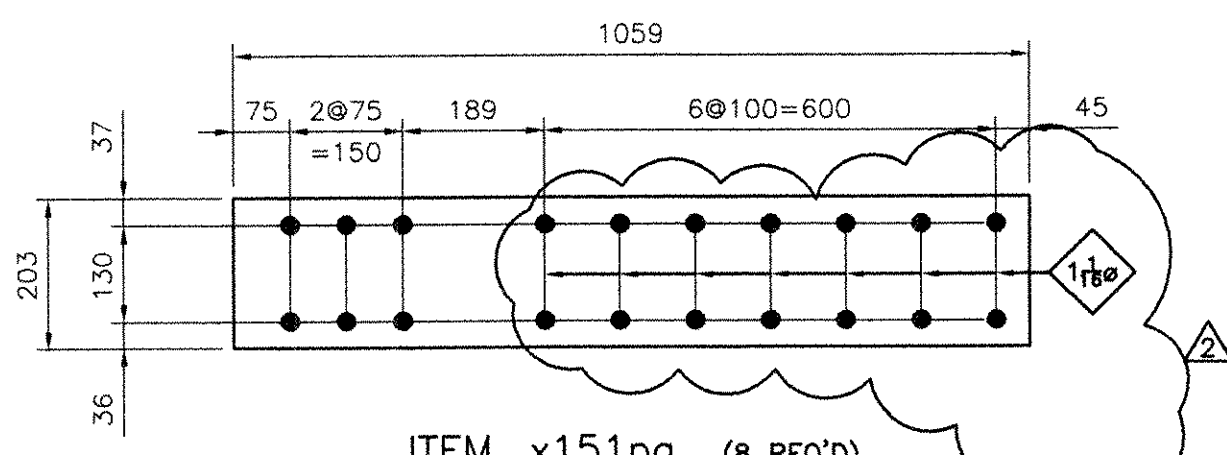
ITEM x151pa (16 REQ'D)  
(PL3 x 203 x 390)  
(ABM #76)



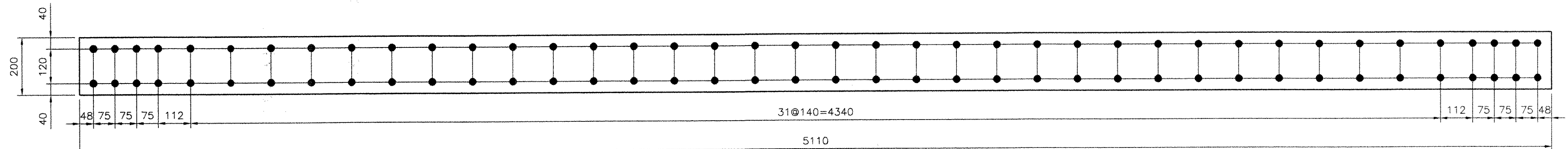
ITEM x151pf (8 REQ'D)  
(PL3 x 203 x 490)  
(ABM #76)



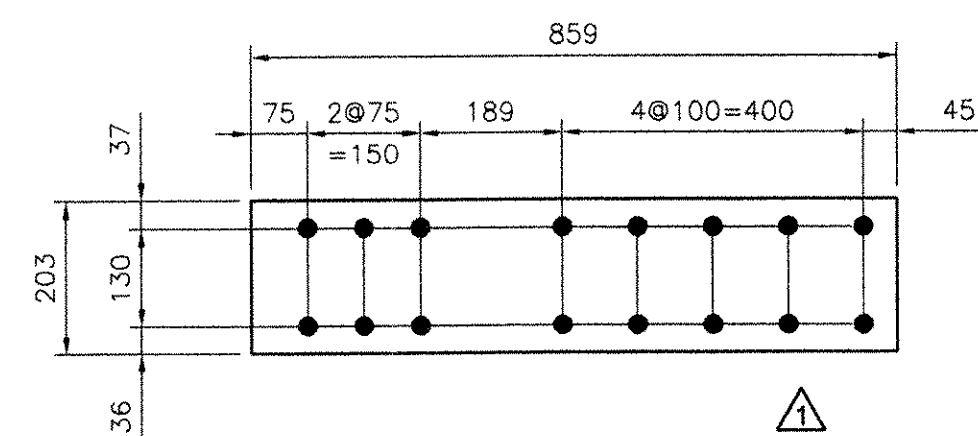
ITEM x151pb (2 REQ'D)  
(PL10 x 200 x 4970)  
M270M-GR345 (CVN) (ABM #24)



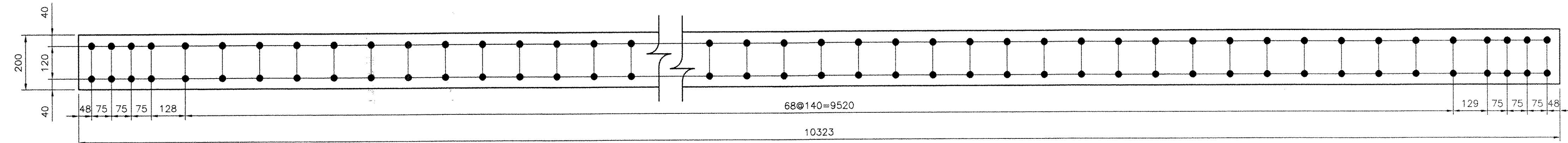
ITEM x151pg (8 REQ'D)  
(PL3 x 203 x 1059)  
(ABM #74)



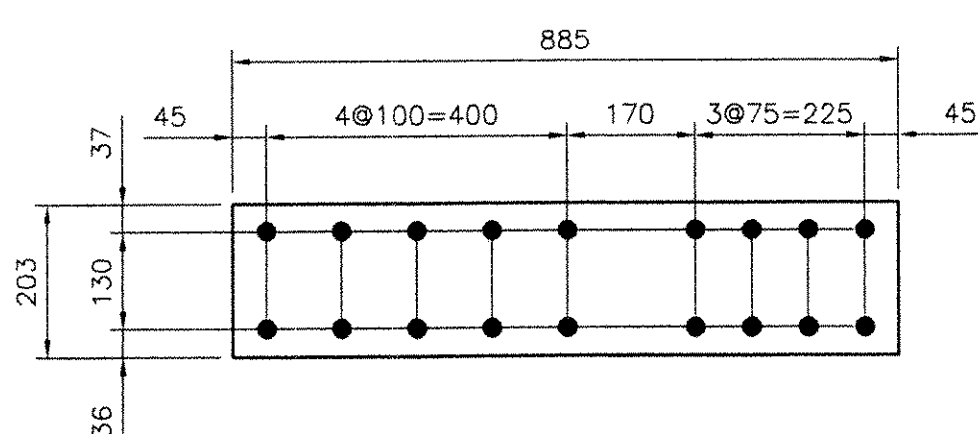
ITEM x151pc (2 REQ'D)  
(PL10 x 200 x 5110)  
M270M-GR345 (CVN) (ABM #24)



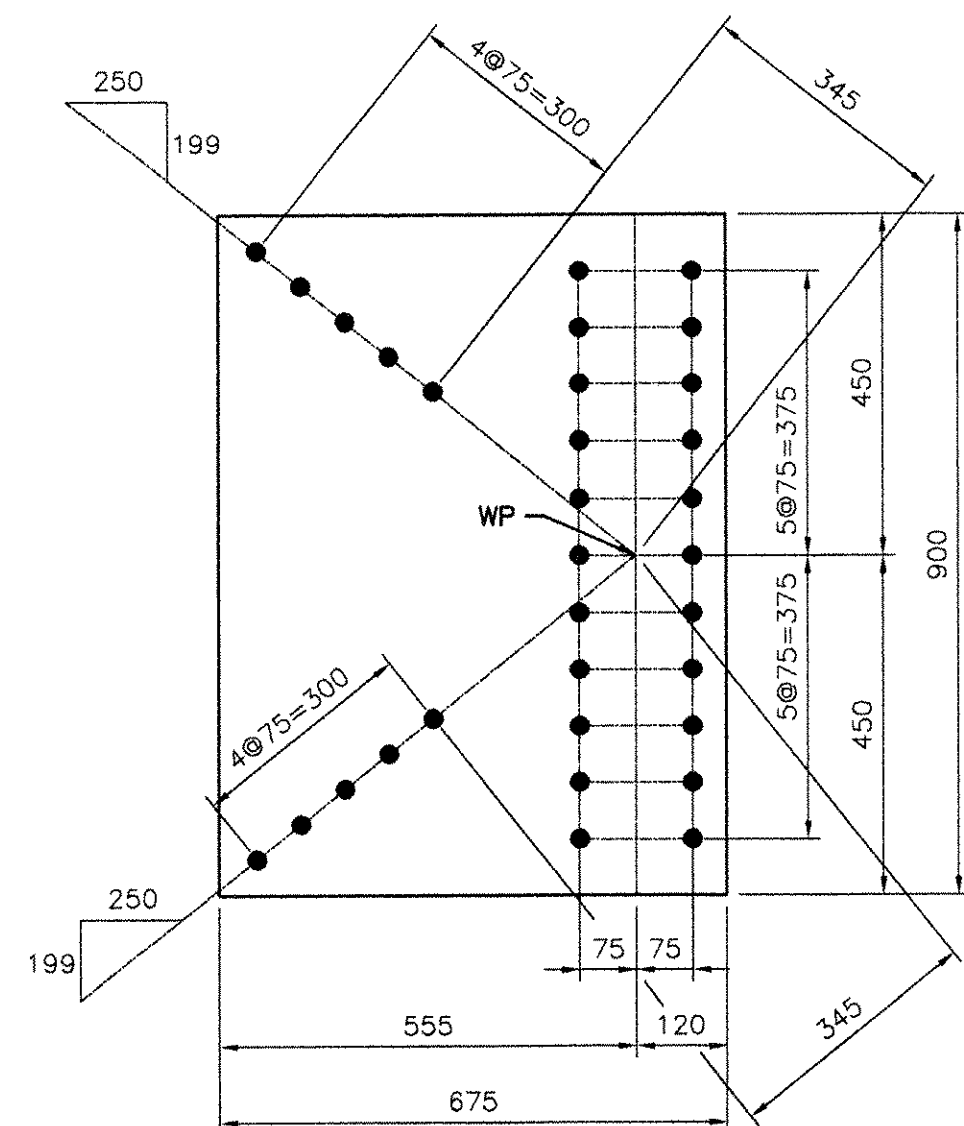
ITEM x151ph (8 REQ'D)  
(PL3 x 203 x 859)  
(ABM #75)



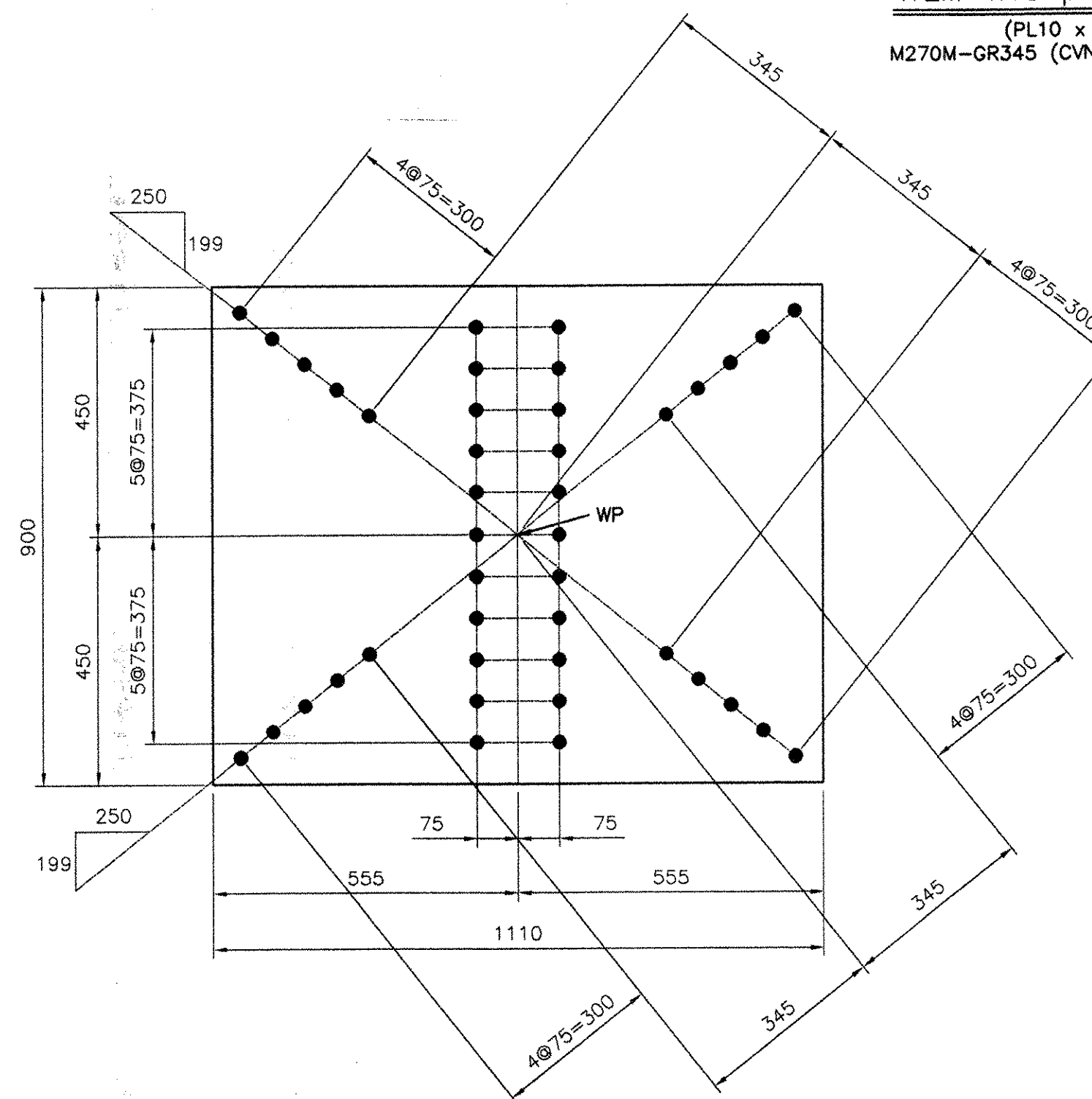
ITEM x151pd (2 REQ'D)  
(PL10 x 200 x 10323)  
M270M-GR345 (CVN) (ABM #22)



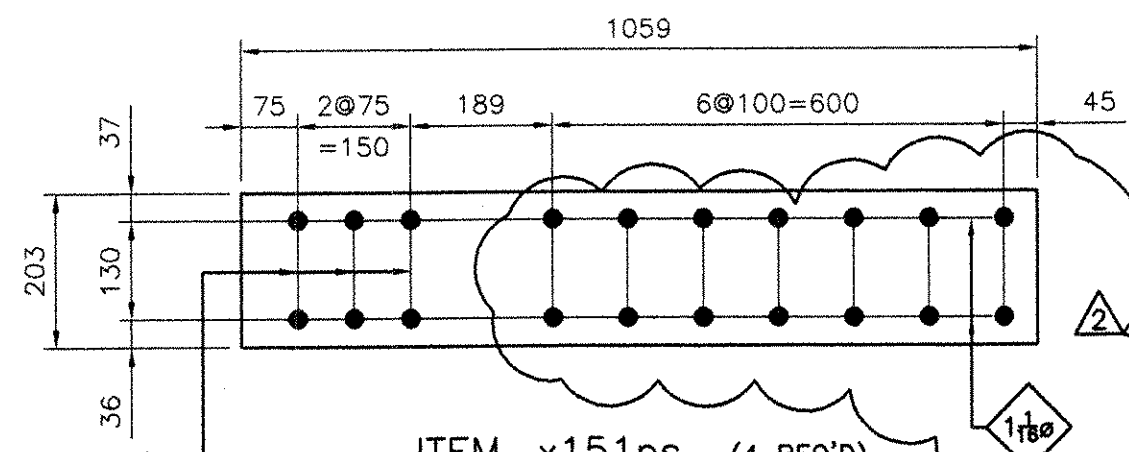
ITEM x151pk (16 REQ'D)  
(PL3 x 203 x 885)  
(ABM #75)



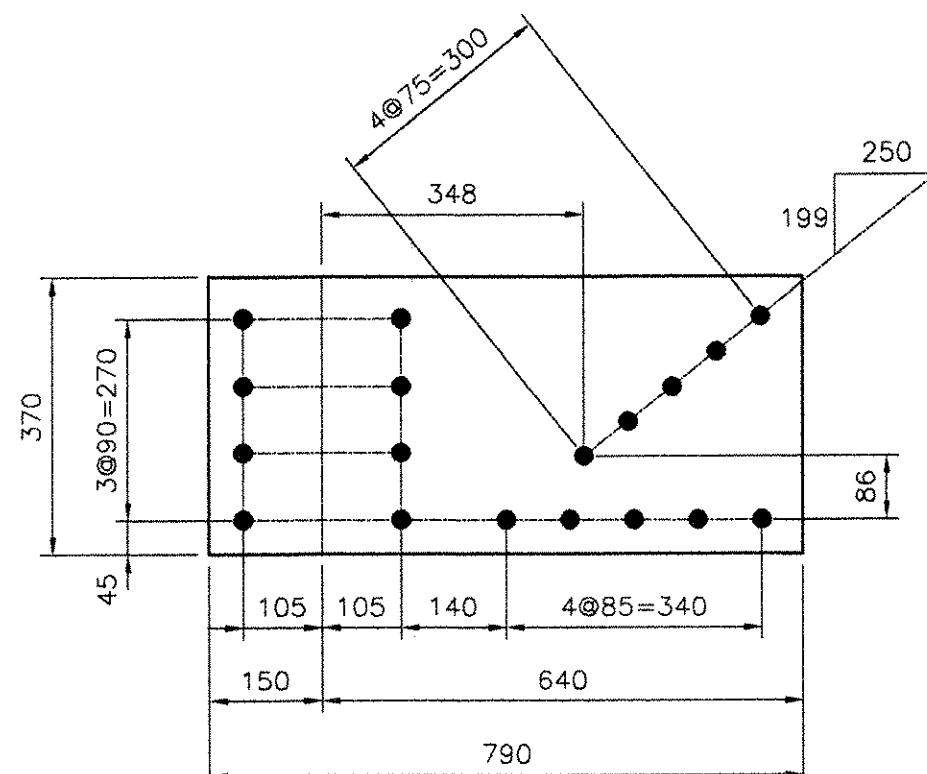
ITEM x151pm (4 REQ'D)  
(PL14 x 675 x 900)  
(ABM #48)



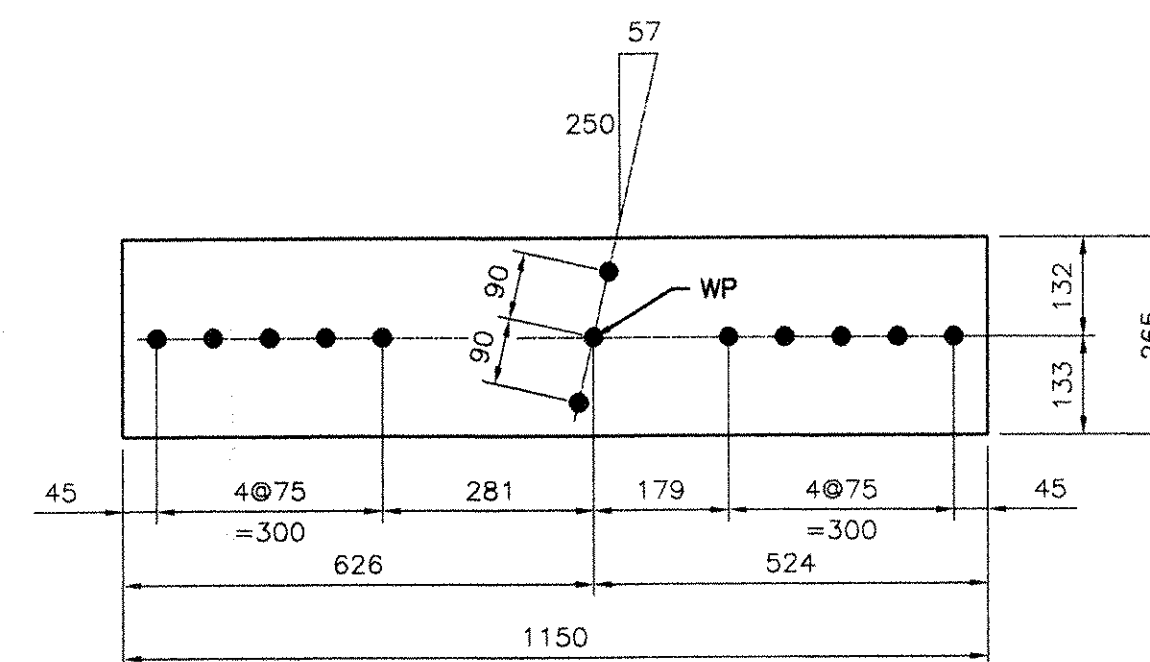
ITEM x151pn (2 REQ'D)  
(PL14 x 900 x 1110)  
(ABM #49)



ITEM x151ps (4 REQ'D)  
(PL3 x 203 x 1059)  
(ABM #74)



ITEM x151pp (12 REQ'D)  
(PL14 x 370 x 790)  
(ABM #47)



ITEM x151pr (2 REQ'D)  
(PL14 x 265 x 1150)  
(ABM #50)

NOTES:

- 1- GENERAL NOTES: SEE GN101
- 2- HOLES: 15/164 (24#) (UN)
- 3- ALL STEEL SHALL BE GALVANIZED, SEE GN101
- 4- ALL MATERIAL SHALL BE M270M-GR345 (UN)
- 5- ALL HOLES SHALL BE "CNC" DRILLED (UN)

RECEIVED  
CHKD BY: \_\_\_\_\_ OK'D BY: *MEM*  
SEP 23 2005  
RESUBMIT: \_\_\_\_\_ APPROVED: \_\_\_\_\_  
BY: \_\_\_\_\_ DATE: 9/23/05

RESERVED FOR STAMPS

REV	DATE	DESCRIPTION	QTY	DATE	ISSUED TO	FOR
8	9/19/05	F.W. Whitcomb				APPROVAL
8	4/8/05	F.W. WHITCOMB CONSTRUCTION				APPROVAL

PROJECT: ROUTE 100 OVER THE WEST RIVER  
LOCATION: TOWN OF JAMAICA  
ENGINEER: CLD CONSULTING ENGINEERS  
CUSTOMER: VERMONT A. O. T.

DRAWING TITLE: DETAILS  
DRAWN BY: YT 02/22/05  
CHECKED BY: GG 03/30/05  
NUMBER: 5075

SHEET NUMBER: X151

NOTICE  
This drawing shall not be used or reproduced in any manner, nor shall any similar drawings or structures be made therefrom, nor shall the information thereon be used for any purpose other than that for which it is released without the written consent of an officer of EASTERN BRIDGE LLC.

