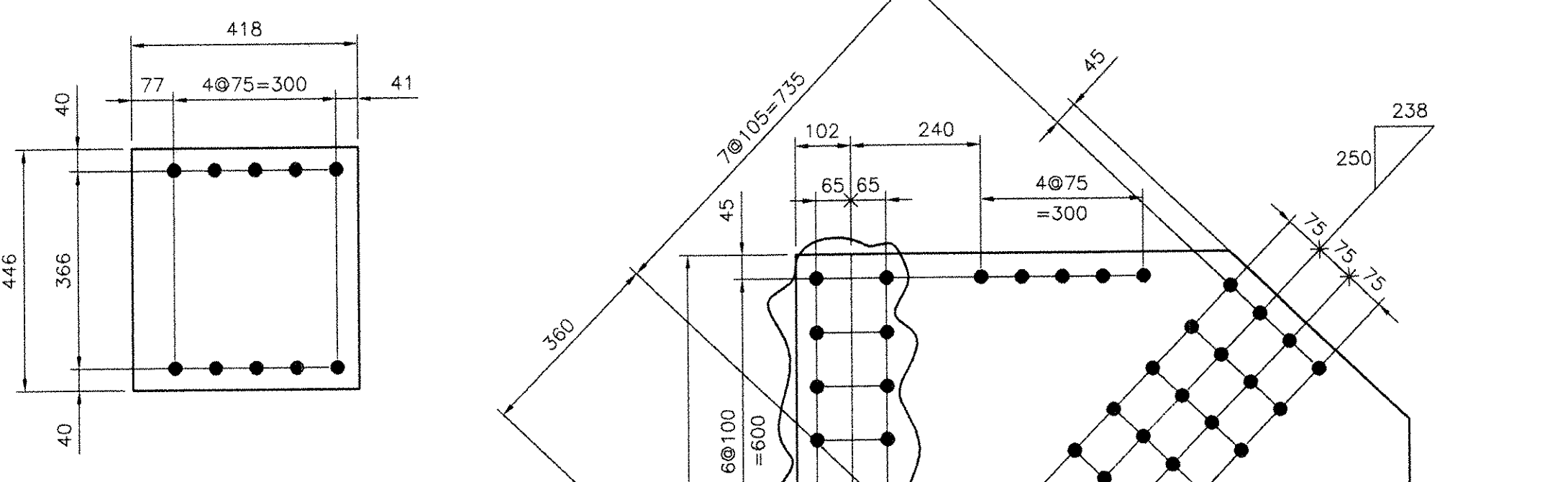
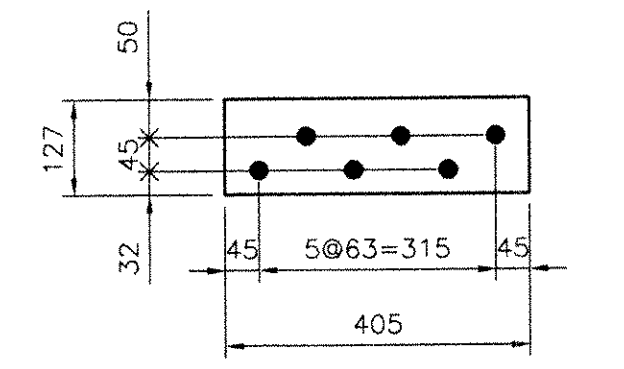


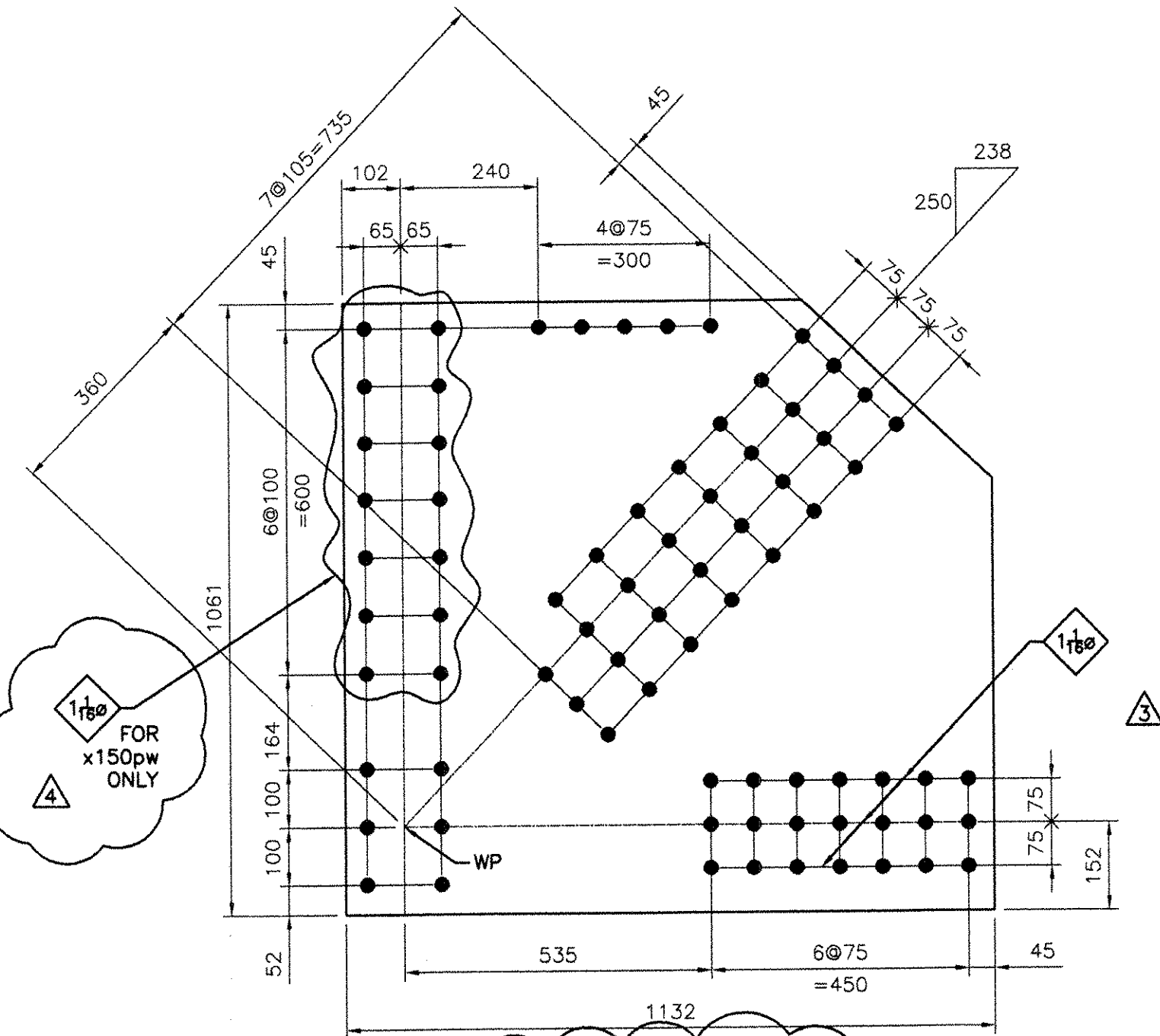
ITEM x150ma (140 REQ'D) (L152 x 102 x 13 x 380) M270M-GR345 (CVN) (ABM #4)
 ITEM x150mb (70 REQ'D) (L102 x 102 x 9.5 x 220) M270M-GR345 (CVN) (ABM #5)
 ITEM x150mc (32 REQ'D) (L102 x 102 x 13 x 680) M270M-GR345 (CVN) (ABM #2)
 ITEM x150md (4REQ'D) (L102 x 89 x 9.5 x 418) M270M-GR345 (CVN) (ABM #27)
 ITEM x150mf (4REQ'D) (L102 x 89 x 9.5 x 418) M270M-GR345 (CVN) (ABM #27)
 ITEM x150pa (14 REQ'D) (PL14 x 89 x 573) (ABM #45)
 ITEM x150pb (28 REQ'D) (PL14 x 89 x 573) (ABM #45)
 ITEM x150pc (14 REQ'D) (PL14 x 89 x 573) (ABM #45)
 ITEM x150pd (4 REQ'D) (PL25 x 250 x 250) (ABM #60)



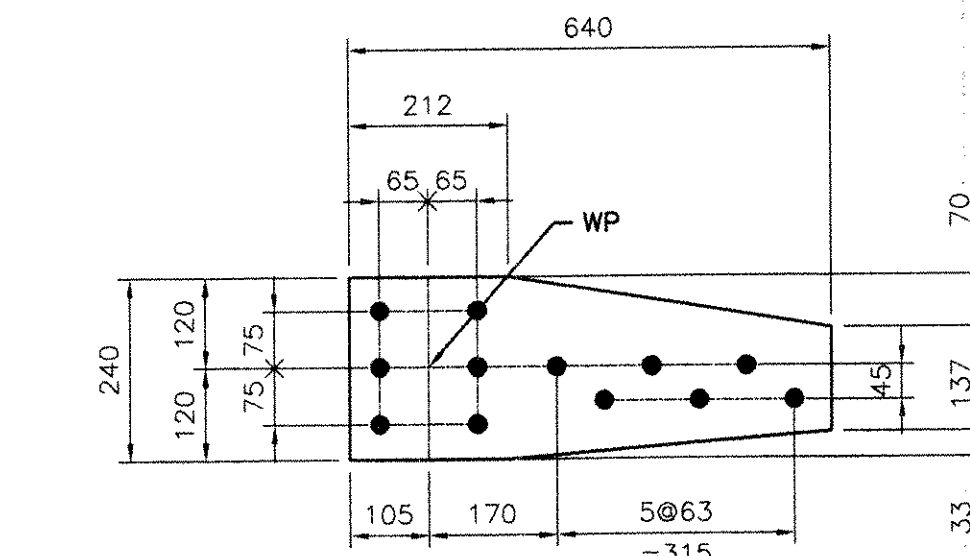
ITEM x150pe (4 REQ'D) (PL10 x 418 x 446) (ABM #61)



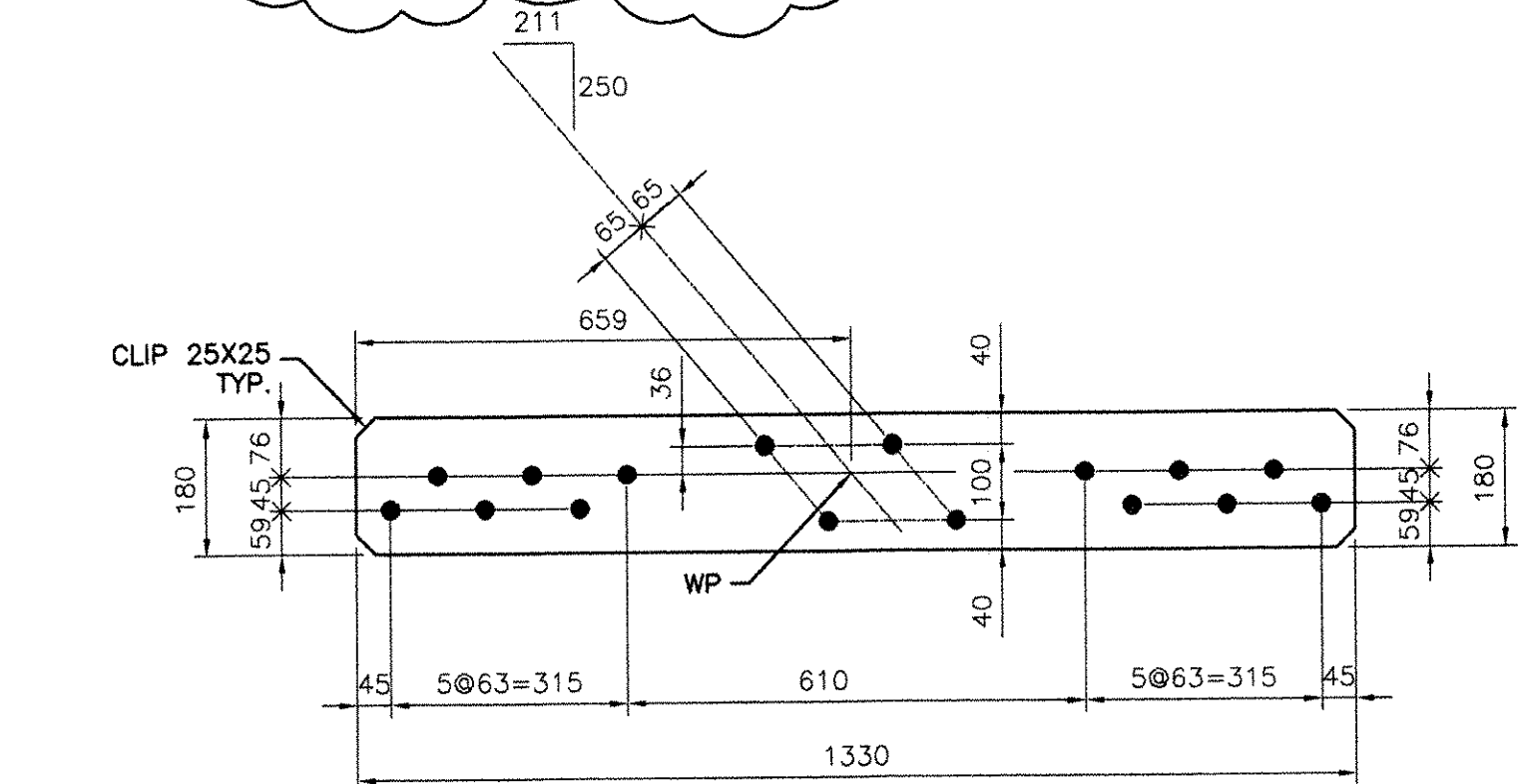
ITEM x150pf (8 REQ'D) (PL3 x 127 x 405) (ABM #73)



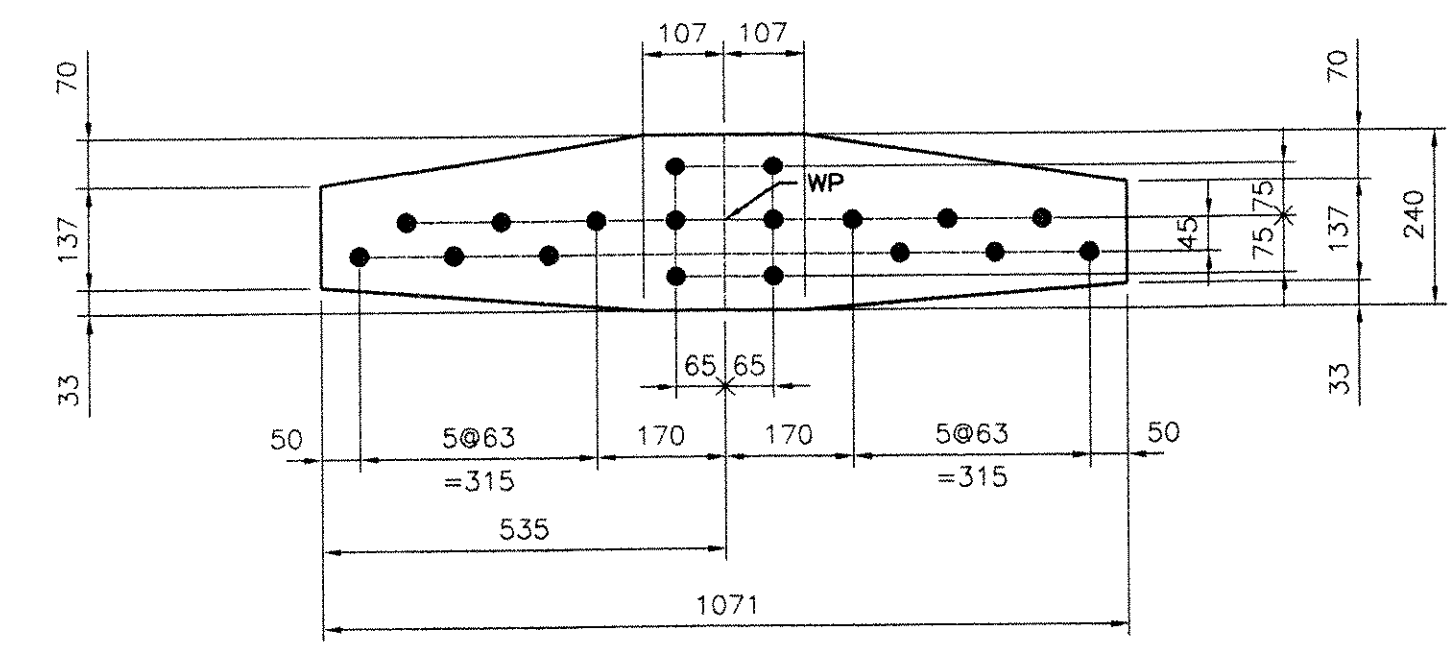
ITEM x150pw (4 REQ'D) (PL18 x 1061 x 1132) M270M-GR345 (CVN) (ABM #62)



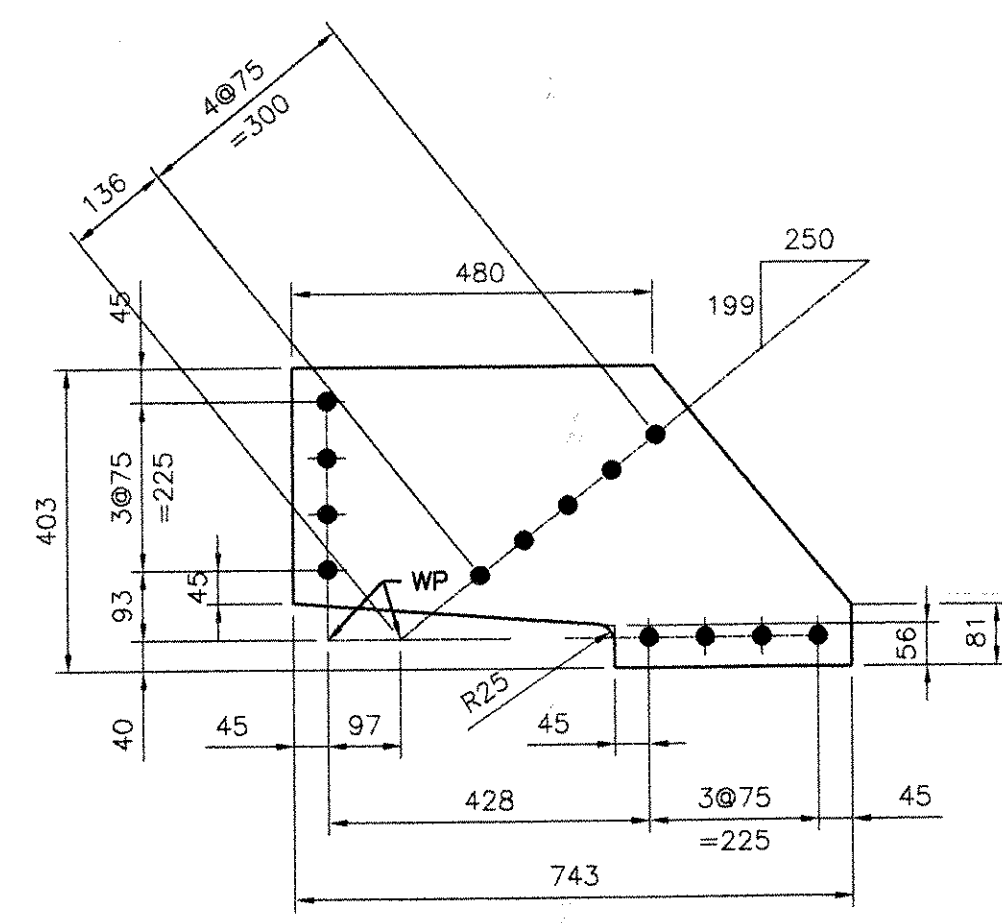
ITEM x150pr (8 REQ'D) (PL10 x 240 x 640) M270M-GR345 (CVN) (ABM #69)



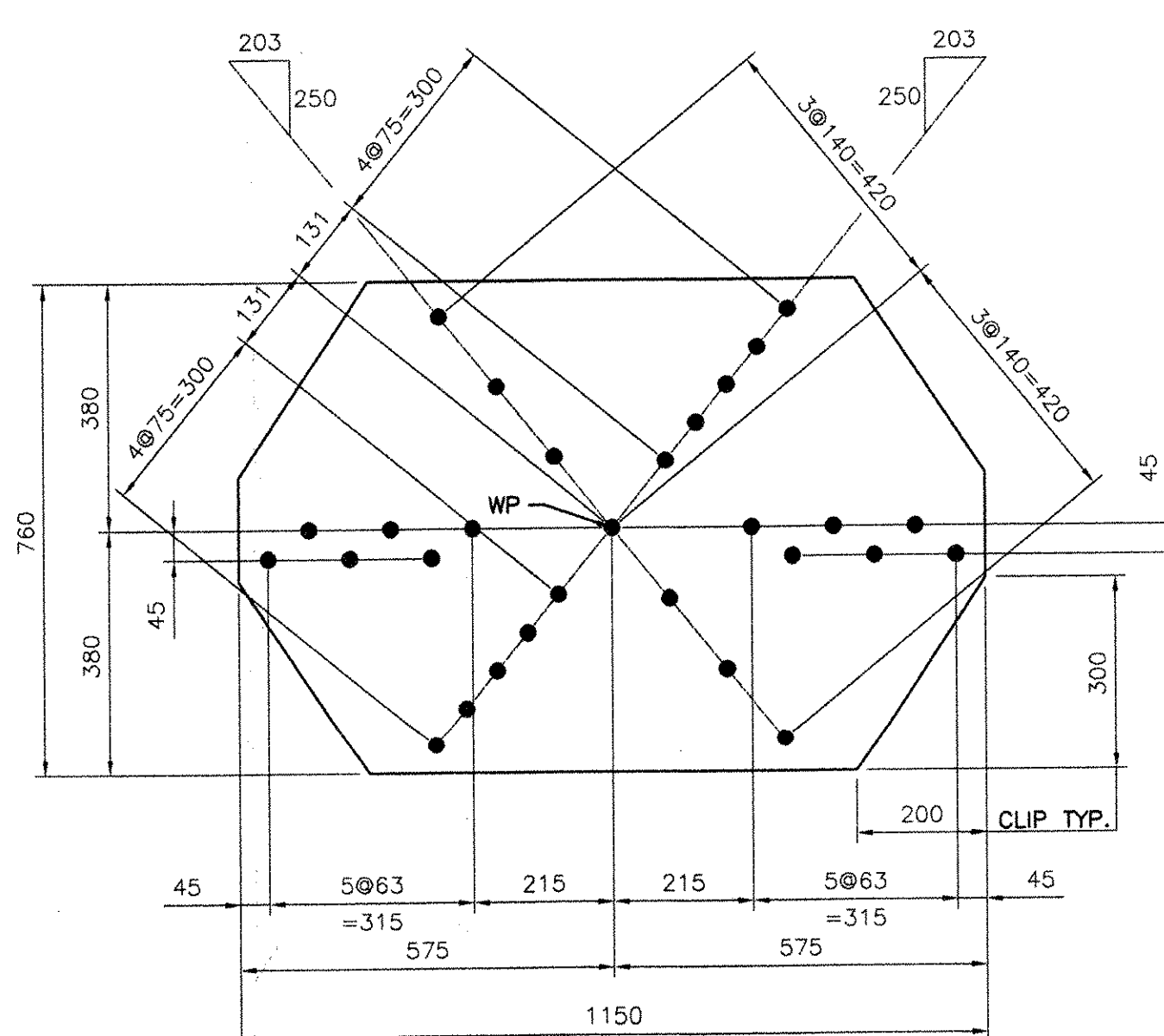
ITEM x150ps (8 REQ'D) (PL10 x 180 x 1330) M270M-GR345 (CVN) (ABM #70)



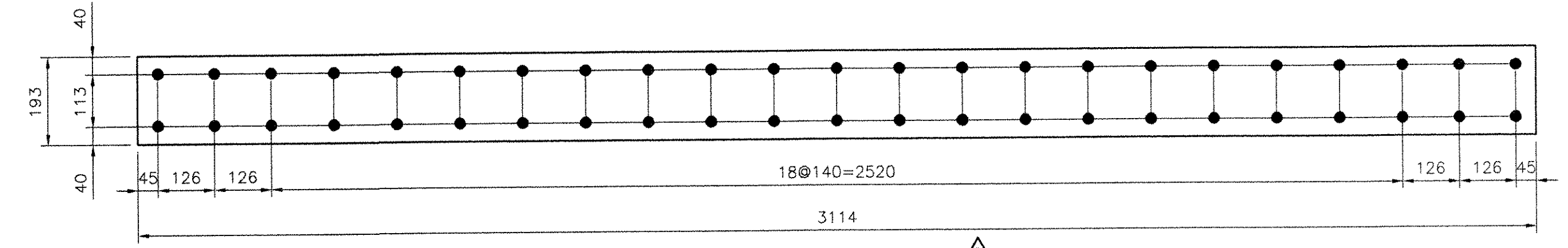
ITEM x150pt (4 REQ'D) (PL10 x 240 x 1071) M270M-GR345 (CVN) (ABM #71)



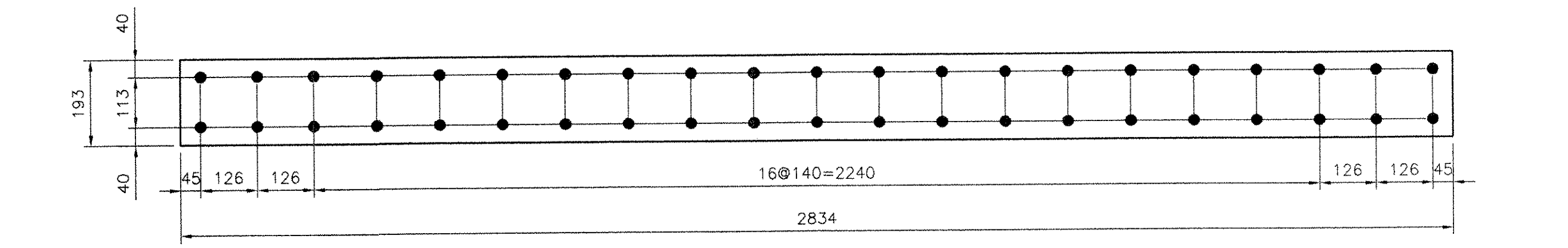
ITEM x150ph (4 REQ'D) (PL14 x 403 x 743) (ABM #46)



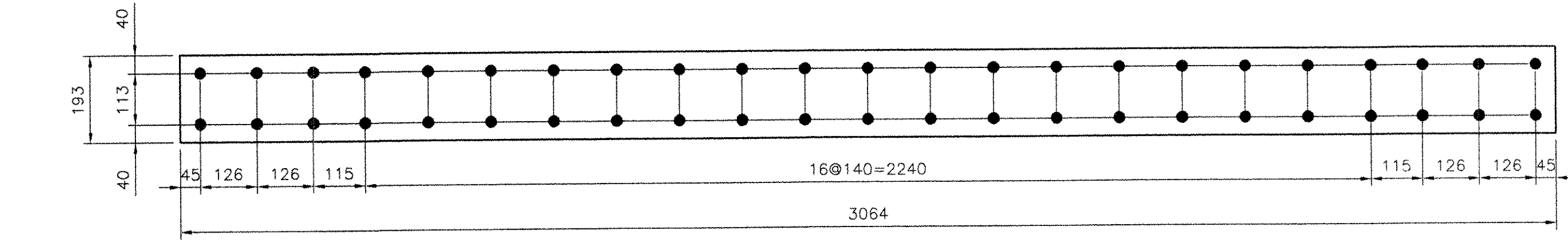
ITEM x150pt (4 REQ'D) (PL10 x 760 x 1150) M270M-GR345 (CVN) (ABM #72)



ITEM x150pk (4 REQ'D) (PL10 x 193 x 3114) M270M-GR345 (CVN) (ABM #26)



ITEM x150pn (4 REQ'D) (PL10 x 193 x 2834) M270M-GR345 (CVN) (ABM #26)



ITEM x150pv (4 REQ'D) (PL10 x 193 x 3064) M270M-GR345 (CVN) (ABM #26)

- NOTES:
 1- GENERAL NOTES: SEE GN101
 2- HOLES: 15/16" (24) (UN)
 3- ALL STEEL SHALL BE GALVANIZED, SEE GN101
 4- ALL MATERIAL SHALL BE M270M-GR345 (UN)
 5- ALL HOLES SHALL BE "CNC" DRILLED (UN)

RECEIVED
 OK'D BY: *[Signature]*
 SEP 23 2005
 RESUBMIT: _____ APPROVED: _____
 BY: _____ DATE: 9/23/05
 RESERVED FOR STAMPS

REV	DATE	DESCRIPTION
1	8/06/05	AS PER REVISED DESIGN
2	8/17/05	AS PER REVISED DESIGN
3	7/06/05	x150pk QTY & x150pv ADDED
4	6/20/05	AS PER APPROVAL COMMENTS

QTY	DATE	ISSUED TO	FOR
8	9/19/05	F.W. Whitcomb	APPROVAL
8	4/8/05	F.W. WHITCOMB CONSTRUCTION	APPROVAL

tenca
 1010
EB
 EASTERN BRIDGE LLC
 RURAL RTE 2, BOX 302
 CLAREMONT, NH 03743
 603-542-5202

PROJECT: ROUTE 100 OVER THE WEST RIVER
 LOCATION: TOWN OF JAMAICA
 ENGINEER: CLD CONSULTING ENGINEERS
 CUSTOMER: VERMONT A. O. T.
 DRAWING TITLE: DETAILS
 DRAWN BY: YT 02/16/05 JOB NUMBER: 5075 SHEET NUMBER: X150
 CHECKED BY: GG 03/30/05