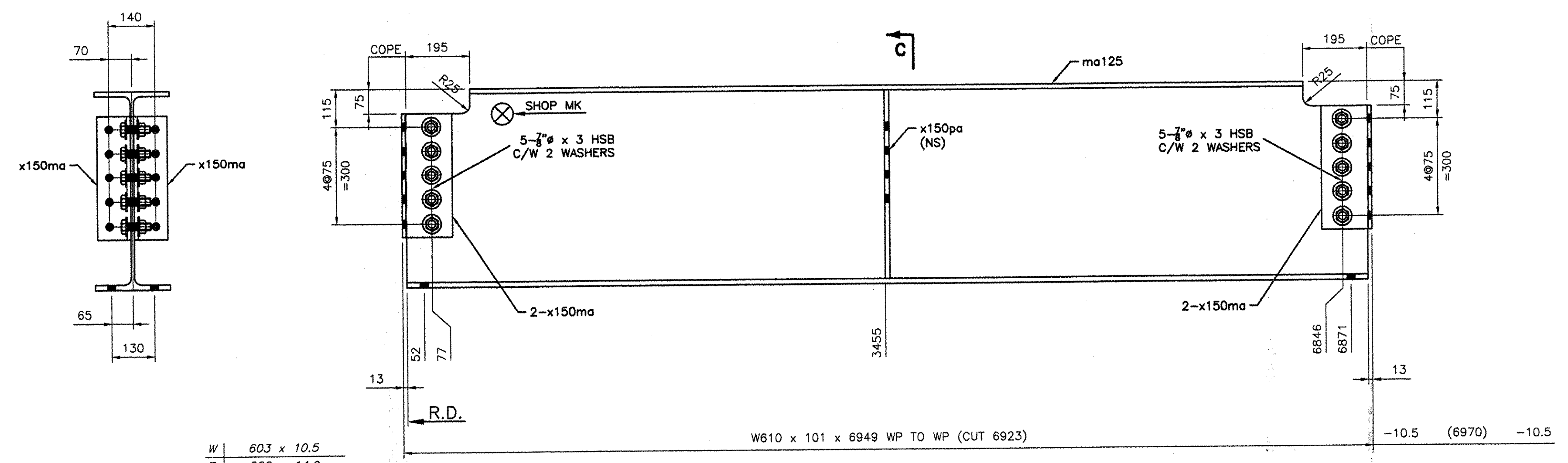


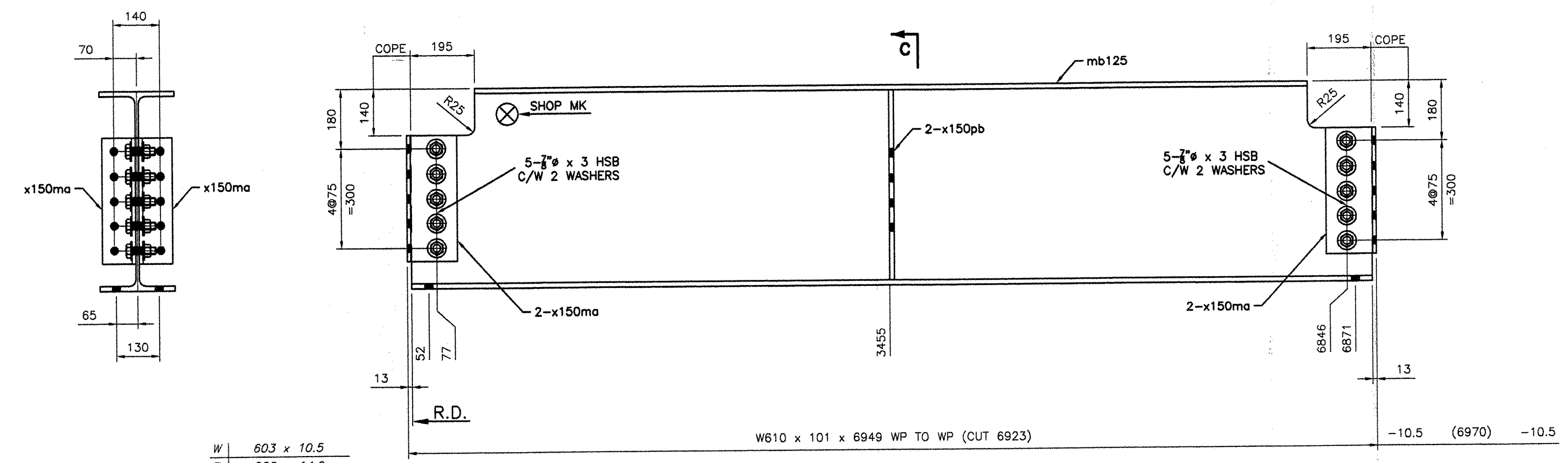
BILL OF MATERIAL

Drawing Number	Revision Number	Ship Mark	Piece Mark	Qty	Type of Material	Size of Material	Grade	Length	Finish	Notes
125		125S1		14						
							Total weight:			10382 kg
125		125S1	ma125	14	W Wide Flng	610x101	M270M-GR345	6923	CVN	3
125		125S1	x150ma	56	L Angles	152x102x13	M270M-GR345	380	CVN	4
125		125S1	x150pa	14	PL Plate	14x89	M270M-GR345	573		45
							Total weight:			10304 kg
125		125S2		14						
							Total weight:			5230 kg
125		125S2	mb125	14	W Wide Flng	610x101	M270M-GR345	6923	CVN	3
125		125S2	x150ma	56	L Angles	152x102x13	M270M-GR345	380	CVN	4
125		125S2	x150pb	28	PL Plate	14x89	M270M-GR345	573		45
							Total weight:			5230 kg
125		125S3		7						
							Total weight:			5230 kg
125		125S3	mc125	7	W Wide Flng	610x101	M270M-GR345	6923	CVN	3
125		125S3	x150ma	28	L Angles	152x102x13	M270M-GR345	380	CVN	4
125		125S3	x150pc	14	PL Plate	14x89	M270M-GR345	573		45

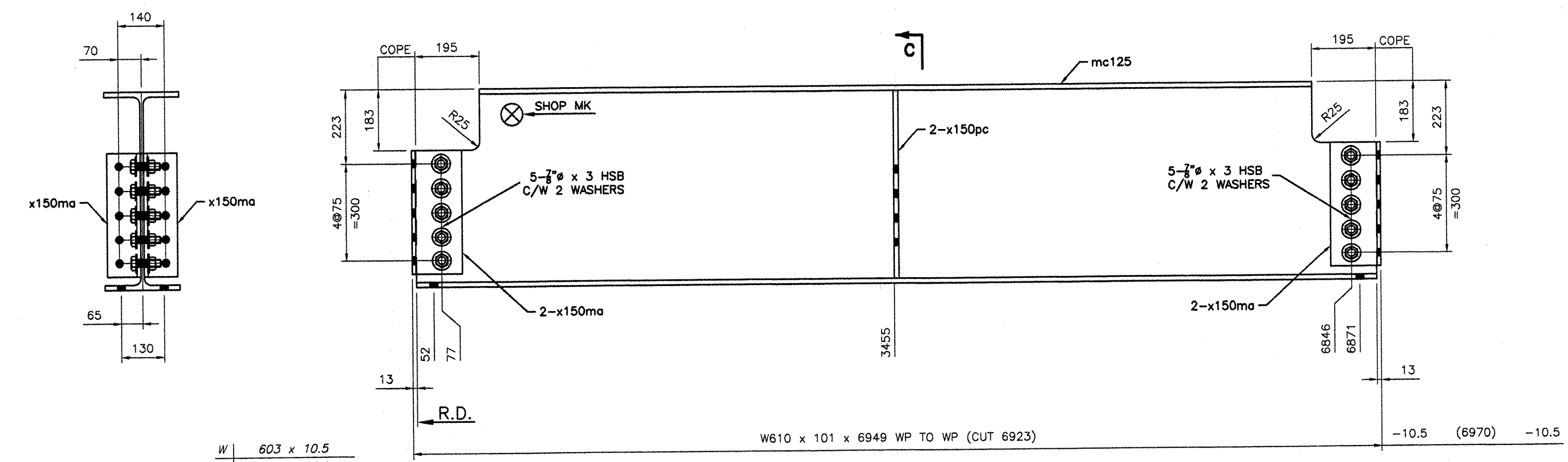
BOLTS LIST		
QTY	DESCRIPTION	LENGTH
	SHOP BOLTS LIST	
350	7/8" HSB	3



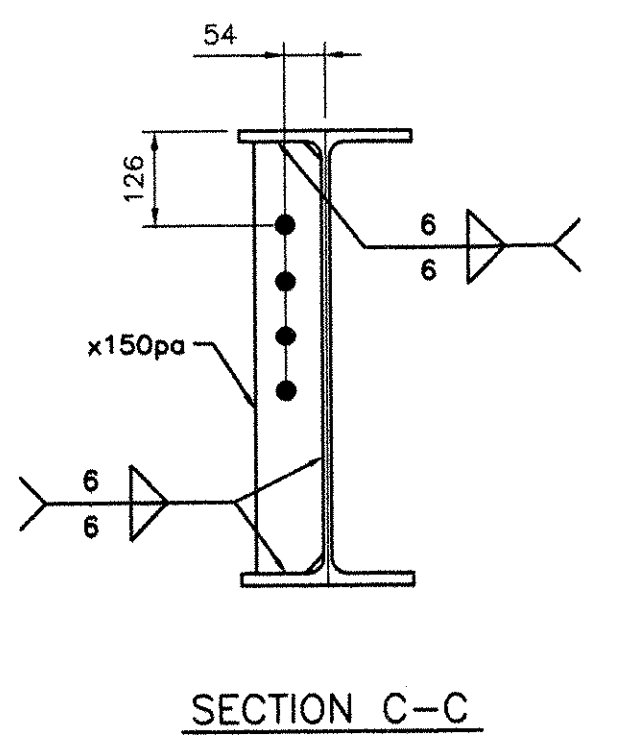
14 - STRINGERS - 125S1



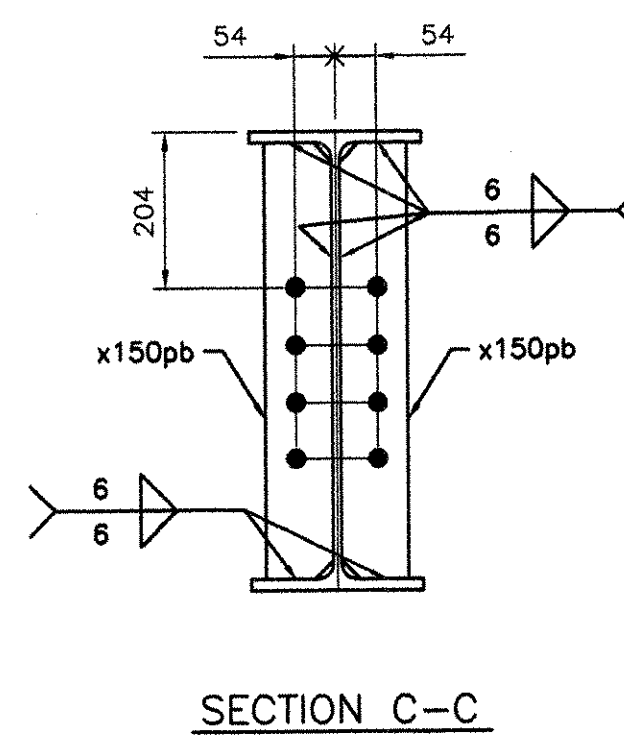
14 - STRINGERS - 125S2



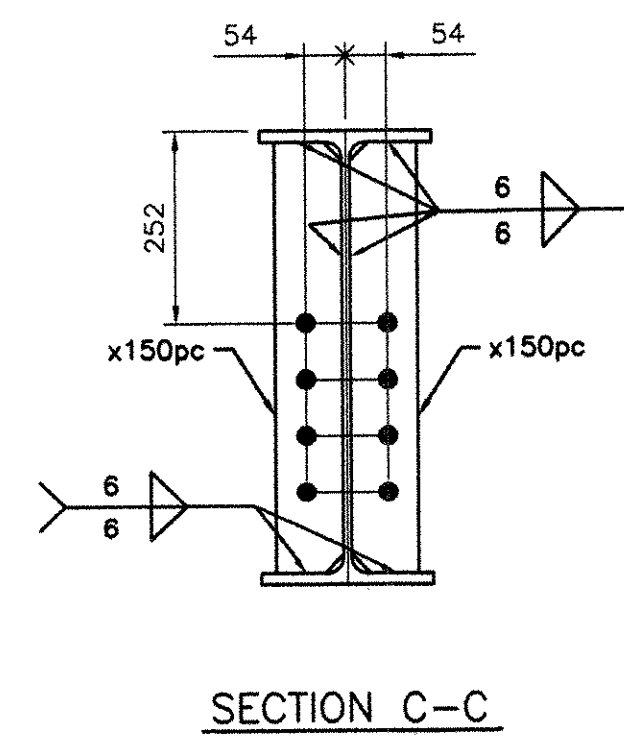
7 - STRINGERS - 125S3



SECTION C-C



SECTION C-C



SECTION C-C

- NOTES:
- 1- GENERAL NOTES: SEE GN101
 - 2- HOLES: 15/16" (24#) (UN)
 - 3- ALL HS BOLTS SHALL BE A325 TYPE 1 GALVANIZED C/W 1 NUT & 1 WASHER (UN)
 - 4- ALL STEEL SHALL BE GALVANIZED, SEE QN101
 - 5- ALL SHOP BOLTS SHALL BE HAND TIGHTEN
 - 6- ALL HOLES SHALL BE "CNC" DRILLED (UN)
 - 7- WIRE-BRUSH PREPARATION 3" OF OPEN HOLES FOR FAYING SURFACES PRIOR TO BOLTING

RESERVED FOR STAMPS

REV	DATE	DESCRIPTION	QTY	DATE	ISSUED TO	FOR
8		4/16/05 F.W. Whitcomb Construction Approval				

NOTICE
This drawing shall not be used or reproduced in any manner, nor shall any similar drawings or structures be made therefrom, nor shall the information thereon be used for any purpose other than that for which it is released without the written consent of an officer of EASTERN BRIDGE LLC.

PROJECT: ROUTE 100 OVER THE WEST RIVER
LOCATION: TOWN OF JAMAICA
ENGINEER: CLD CONSULTING ENGINEERS
CUSTOMER: VERMONT A. O. T.
DRAWING TITLE: STRINGERS
DRAWN BY: YT 02/16/05 JOB
CHECKED BY: GG 03/24/05 NUMBER: 5075
SHEET NUMBER: 125