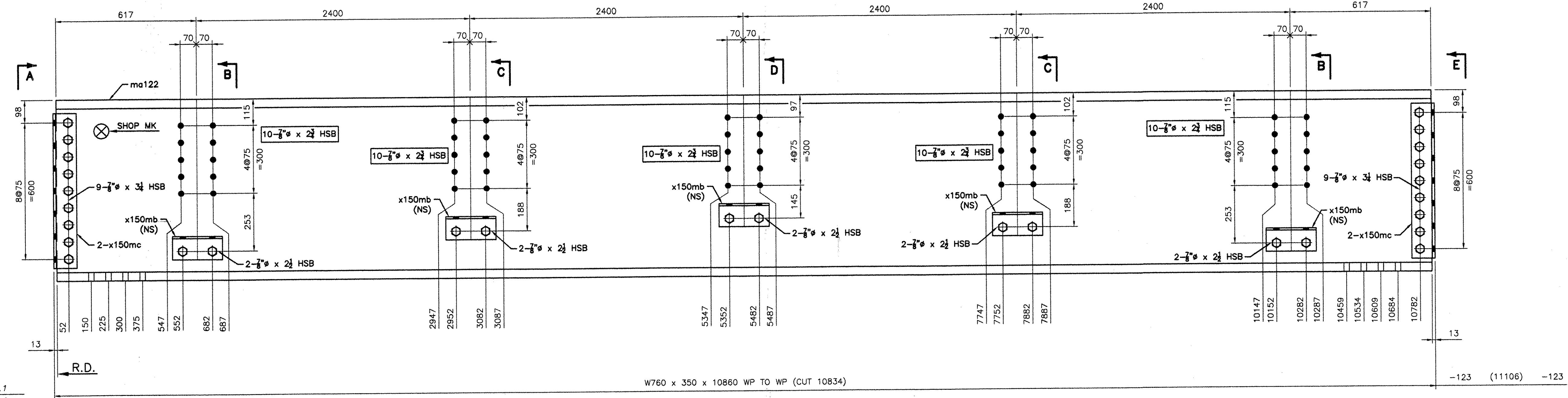


BILL OF MATERIAL										
Drawing Number	Revision Number	Ship Mark	Piece Mark	Qty	Type of Material	Size of Material	Grade	Length	Finish	Notes
122		122FB	ma122	2	W Wide Flng	760x350	M270M-GR345	10834	CVN	1
122		122FB	x150mb	10	L Angles	102x102x9.5	M270M-GR345	220	CVN	5
122		122FB	x150mc	8	L Angles	102x102x13	M270M-GR345	680	CVN	2

BOLTS LIST		
QTY	DESCRIPTION	LENGTH
SHOP BOLTS LIST		
20	7/8" HSB	2 1/2
36	7/8" HSB	3 1/4
FIELD BOLTS LIST		
20	7/8" HSB	2 1/2
100	7/8" HSB	2 3/4
16	7/8" HSB	3 1/2

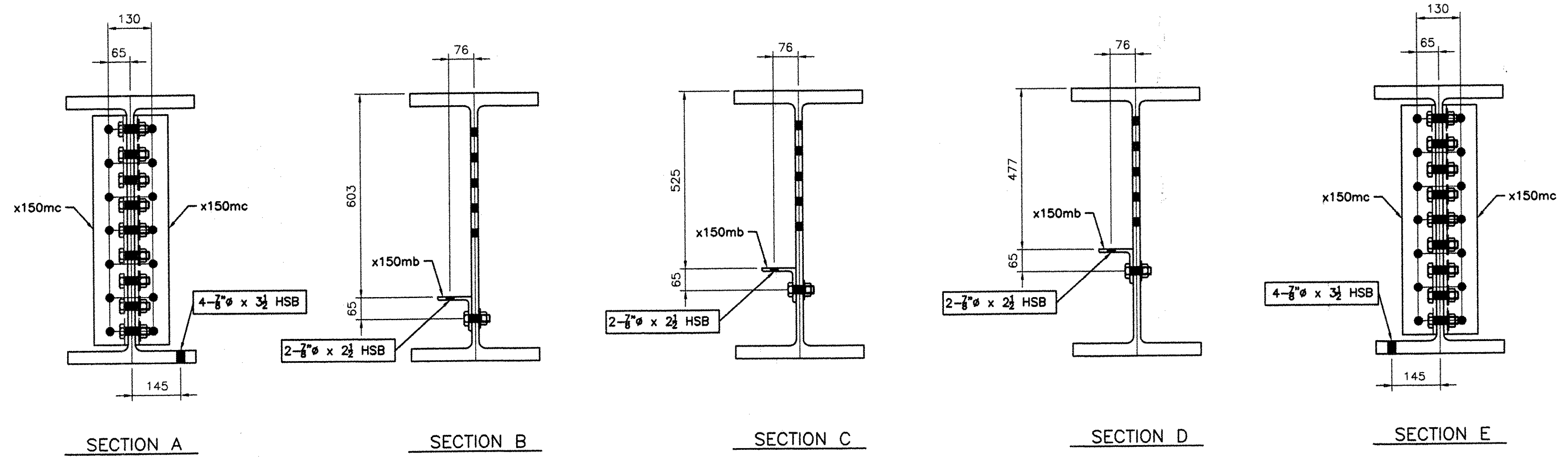


W 795 x 21.1
F 382 x 38.1

W760 x 350 x 10860 WP TO WP (CUT 10834)

2 - FLOOR BEAMS - 122FB

- NOTES:
- 1- GENERAL NOTES: SEE GN101
 - 2- HOLES: 15/16" (24#) (UN)
 - 3- ALL HS BOLTS SHALL BE A325 TYPE 1 GALVANIZED C/W 1 NUT & 1 WASHER (UN)
 - 4- ALL STEEL SHALL BE GALVANIZED, SEE GN101
 - 5- ALL SHOP BOLTS SHALL BE HAND TIGHTEN
 - 6- ALL HOLES SHALL BE "CNC" DRILLED (UN)
 - 7- WIRE-BRUSH PREPARATION 3" OF OPEN HOLES FOR FAYING SURFACES PRIOR TO BOLTING



RESERVED FOR STAMPS

REV	DATE	DESCRIPTION	QTY	DATE	ISSUED TO	FOR
1	4/8/05	F.W. Whitcomb Construction				

NOTICE
This drawing shall not be used or reproduced in any manner, nor shall any similar drawings or structures be made therefrom, nor shall the information thereon be used for any purpose other than that for which it is released without the written consent of an officer of EASTERN BRIDGE LLC.

tenca
1010

EB LLC

EASTERN BRIDGE LLC
RURAL RTE 2, BOX 302
CLAREMONT, NH 03743
603-542-5202

PROJECT: ROUTE 100 OVER THE WEST RIVER	
LOCATION: TOWN OF JAMAICA	
ENGINEER: CLD CONSULTING ENGINEERS	
CUSTOMER: VERMONT A. O. T.	
DRAWING TITLE: FLOOR BEAMS	
DRAWN BY: YT	02/17/05
CHECKED BY: GG	03/24/05
JOB NUMBER: 5075	SHEET NUMBER: 122