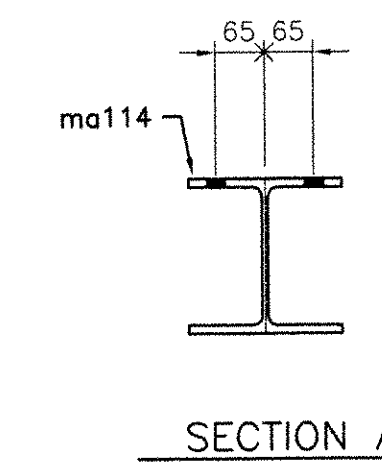
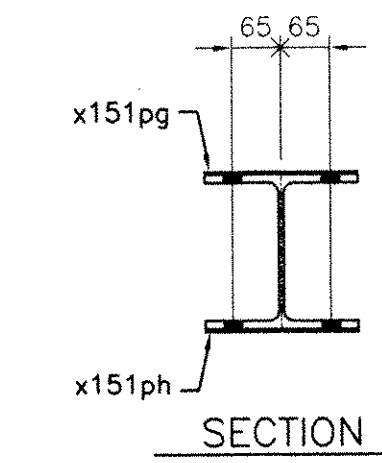


2 -VERTICAL BRACE ASSEMBLIES - 114VB1

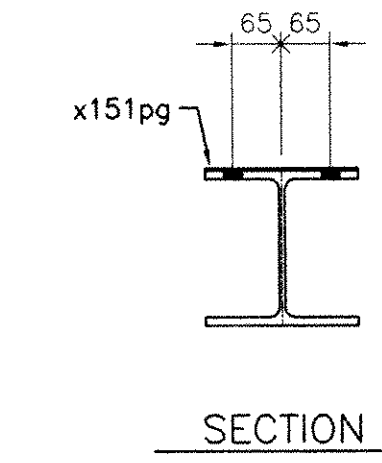
W 203 x 7.2
F 203 x 11.0



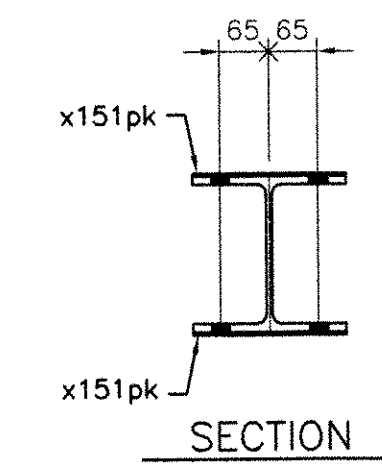
SECTION A



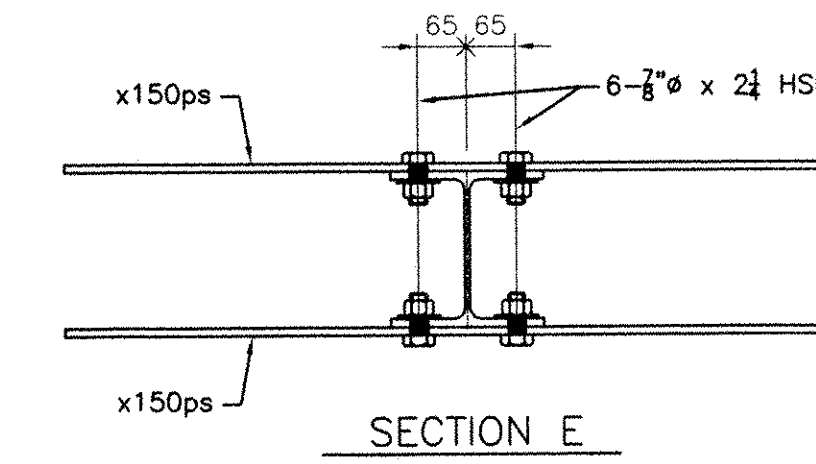
SECTION B



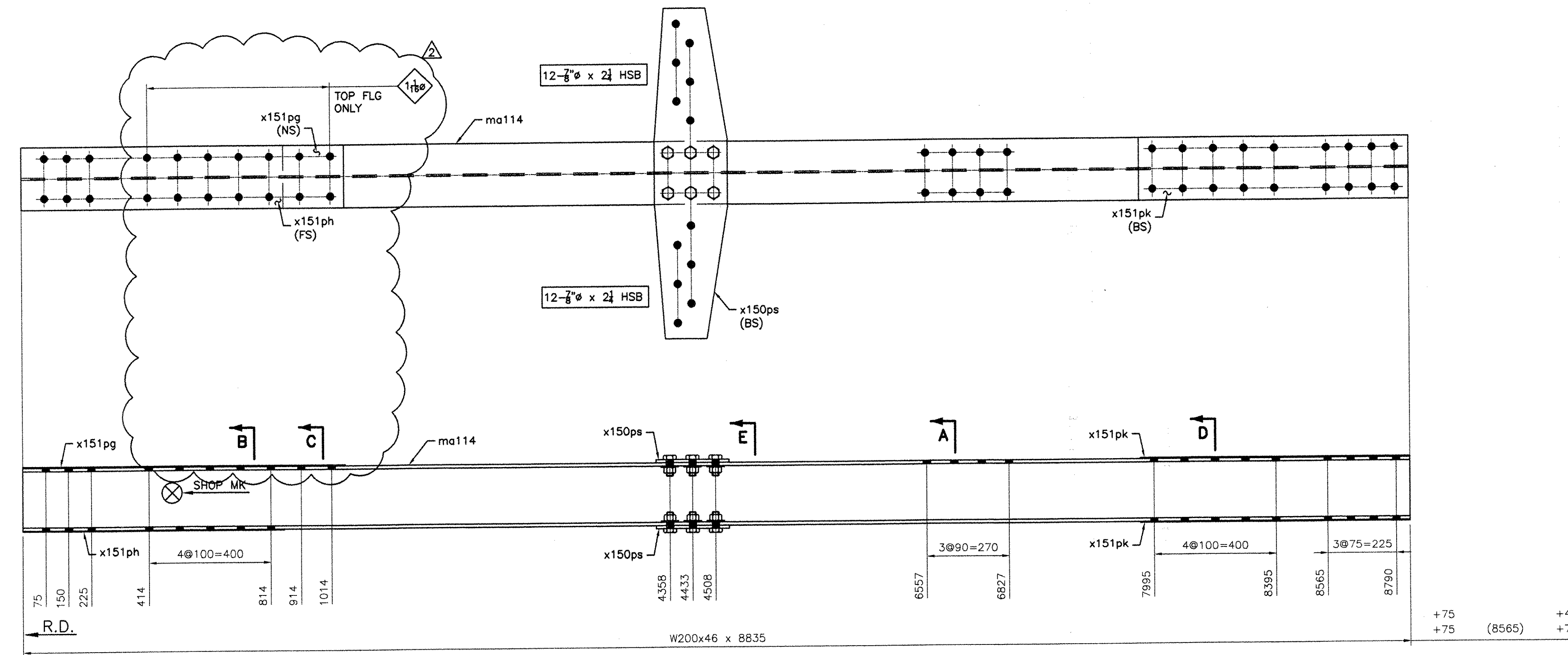
SECTION C



SECTION D



SECTION E



2 -VERTICAL BRACE ASSEMBLIES - 114VB2

W 203 x 7.2
F 203 x 11.0

| Drawing Number | | Revision Number | | Ship Mark | | Piece Mark | | Qty | | Type of Material | | Size of Material | | Grade | | Total weight: | | Length | | Finish | | Notes | |
|----------------|--|-----------------|--|-----------|--|------------|--|-------------|--------|------------------|-------------|------------------|------|-------|-----|---------------|-----|--------|--|--------|--|-------|--|
| 114 | | 114VB1 | | ma114 | | 2 | | W Wide Flng | 200x46 | | M270M-GR345 | | 8835 | | CVN | | 929 | | | | | | |
| 114 | | 114VB1 | | x150ps | | 4 | | PL Plate | 10x240 | | M270M-GR345 | | 1071 | | CVN | | 71 | | | | | | |
| 114 | | 114VB1 | | x151pg | | 2 | | PL Plate | 3x203 | | M270M-GR345 | | 1059 | | | | 74 | | | | | | |
| 114 | | 114VB1 | | x151ph | | 2 | | PL Plate | 3x203 | | M270M-GR345 | | 859 | | | | 75 | | | | | | |
| 114 | | 114VB1 | | x151pk | | 4 | | PL Plate | 3x203 | | M270M-GR345 | | 885 | | | | 75 | | | | | | |
| 114 | | 114VB2 | | | | 2 | | | | | | | | | | | 929 | | | | | | |
| 114 | | 114VB2 | | ma114 | | 2 | | W Wide Flng | 200x46 | | M270M-GR345 | | 8835 | | CVN | | 18 | | | | | | |
| 114 | | 114VB2 | | x150ps | | 4 | | PL Plate | 10x240 | | M270M-GR345 | | 1071 | | CVN | | 71 | | | | | | |
| 114 | | 114VB2 | | x151pg | | 2 | | PL Plate | 3x203 | | M270M-GR345 | | 1059 | | | | 74 | | | | | | |
| 114 | | 114VB2 | | x151ph | | 2 | | PL Plate | 3x203 | | M270M-GR345 | | 859 | | | | 75 | | | | | | |
| 114 | | 114VB2 | | x151pk | | 4 | | PL Plate | 3x203 | | M270M-GR345 | | 885 | | | | 75 | | | | | | |

| BOLTS LIST | | |
|------------------|-------------|--------|
| QTY | DESCRIPTION | LENGTH |
| SHOP BOLTS LIST | | |
| 48 | 7/8" HSB | 2 1/4 |
| FIELD BOLTS LIST | | |
| 96 | 7/8" HSB | 2 1/4 |

- NOTES:
- 1- GENERAL NOTES: SEE GN101
 - 2- HOLES: 15/16" (24#) (UN)
 - 3- ALL HS BOLTS SHALL BE A325 TYPE 1 GALVANIZED C/W 1 NUT & 1 WASHER (UN)
 - 4- ALL STEEL SHALL BE GALVANIZED; SEE GN101
 - 5- ALL SHOP BOLTS SHALL BE HAND TIGHTEN
 - 6- ALL HOLES SHALL BE "CNC" DRILLED (UN)
 - 7- WIRE-BRUSH PREPARATION 3" OF OPEN HOLES FOR FAYING SURFACES PRIOR TO BOLTING
 - 8- ALL FILL PLATES SHALL BE WIRE ATTACHED FOR SHIPPING

RESERVED FOR STAMPS

RECEIVED
OK'D BY: *[Signature]*
SEP 23 2005
RESUBMIT: APPROVED:
BY: *[Signature]* DATE: 9/23/05

| REV | DATE | DESCRIPTION | QTY | DATE | ISSUED TO | FOR |
|-----|---------|----------------------------|-----|------|-----------|----------|
| 8 | 9/14/05 | F.W. Whitcomb | | | | APPROVAL |
| 8 | 4/8/05 | F.W. WHITCOMB CONSTRUCTION | | | | APPROVAL |

PROJECT: ROUTE 100 OVER THE WEST RIVER
LOCATION: TOWN OF JAMAICA
ENGINEER: CLD CONSULTING ENGINEERS
CUSTOMER: VERMONT A. O. T.
DRAWING TITLE: VERTICAL BRACE ASSEMBLIES
DRAWN BY: YT 02/24/05 JOB
CHECKED BY: GG 03/30/05 NUMBER: 5075 SHEET NUMBER: 114

NOTICE
This drawing shall not be used or reproduced in any manner, nor shall any similar drawings or structures be made therefrom, nor shall the information thereon be used for any purpose other than that for which it is released without the written consent of an officer of EASTERN BRIDGE LLC.

tencana 1010
EASTERN BRIDGE LLC
RURAL RTE 2, BOX 302
CLAREMONT, NH 03743
603-542-5202