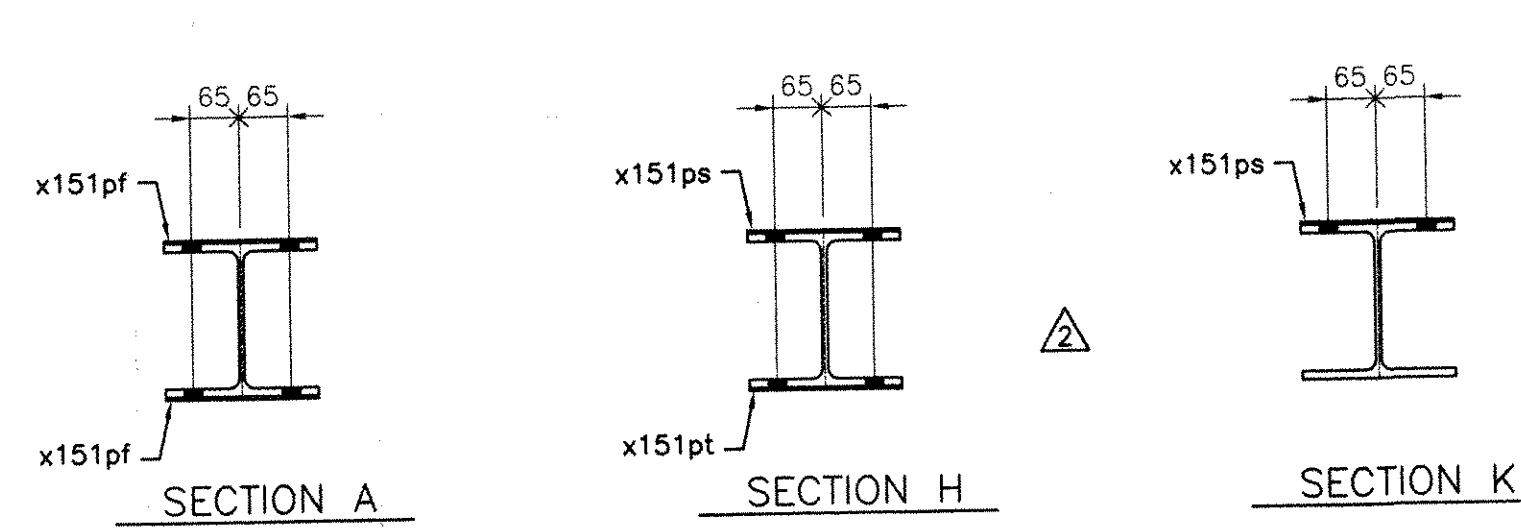
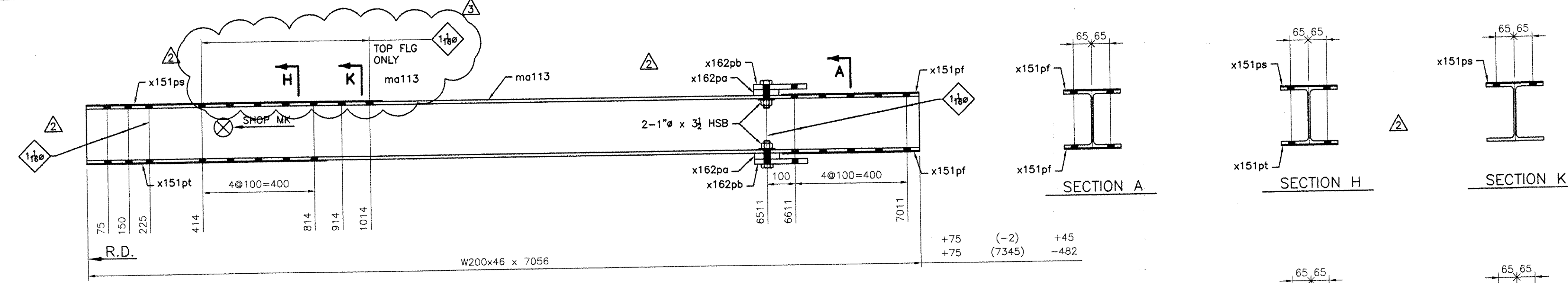


W | 203 x 7.2
F | 203 x 11.0

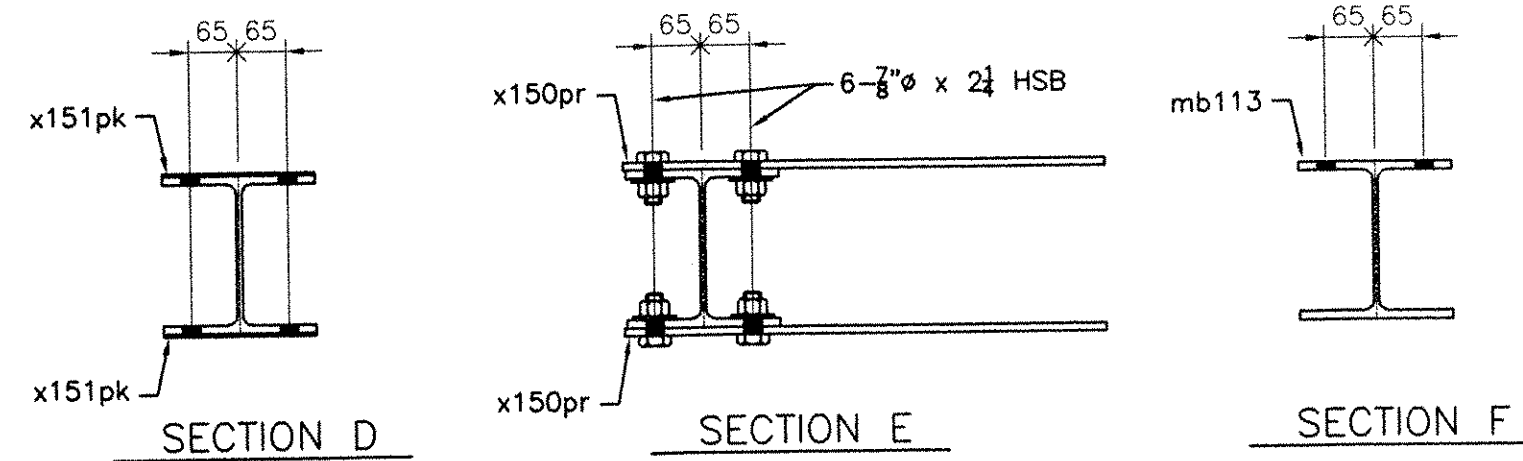
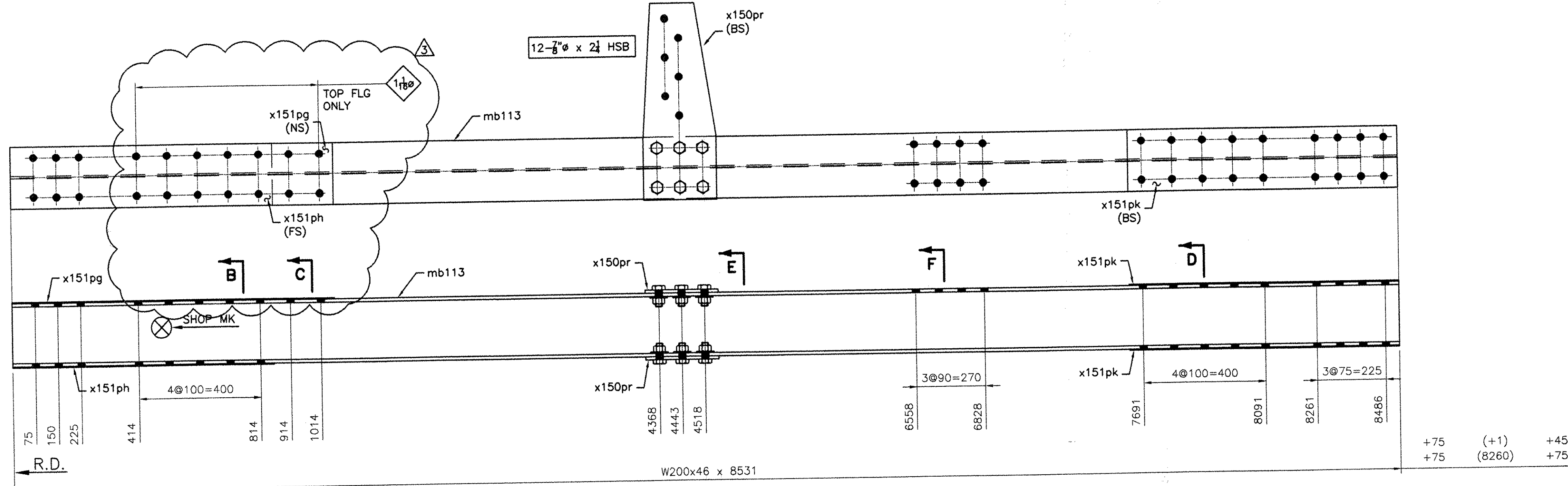
4 -VERTICAL BRACE ASSEMBLIES - 113VB1



Drawing Number	Revision Number	Ship Mark	Piece Mark	Qty	Type of Material	Size of Material	Grade	Length	Finish	Notes
113		113VB1		4				Total weight:		1423 kg
113		113VB1	ma113	4	W Wide Flng	200x46	M270M-GR345	7056	CVN	16
113		113VB1	x151pf	8	PL Plate	3x203	M270M-GR345	490		76
113		113VB1	x151ps	4	PL Plate	3x203	M270M-GR345	1059		74
113		113VB1	x151pt	4	PL Plate	3x203	M270M-GR345	859		75
113		113VB1	x162pa	8	PL Plate	21x90	M270M-GR345	210		
113		113VB1	x162pb	8	PL Plate	18x190	M270M-GR345	210		
113		113VB2		2				Total weight:		868 kg
113		113VB2	mb113	2	W Wide Flng	200x46	M270M-GR345	8531	CVN	17
113		113VB2	x150pr	4	PL Plate	10x240	M270M-GR345	640	CVN	69
113		113VB2	x151pg	2	PL Plate	3x203	M270M-GR345	1059		74
113		113VB2	x151ph	2	PL Plate	3x203	M270M-GR345	859		75
113		113VB2	x151pk	4	PL Plate	3x203	M270M-GR345	885		75
113		113VB3		2				Total weight:		868 kg
113		113VB3	mb113	2	W Wide Flng	200x46	M270M-GR345	8531	CVN	17
113		113VB3	x150pr	4	PL Plate	10x240	M270M-GR345	640	CVN	69
113		113VB3	x151pg	2	PL Plate	3x203	M270M-GR345	1059		74
113		113VB3	x151ph	2	PL Plate	3x203	M270M-GR345	859		75
113		113VB3	x151pk	4	PL Plate	3x203	M270M-GR345	885		75

W | 203 x 7.2
F | 203 x 11.0

2 -VERTICAL BRACE ASSEMBLIES - 113VB2

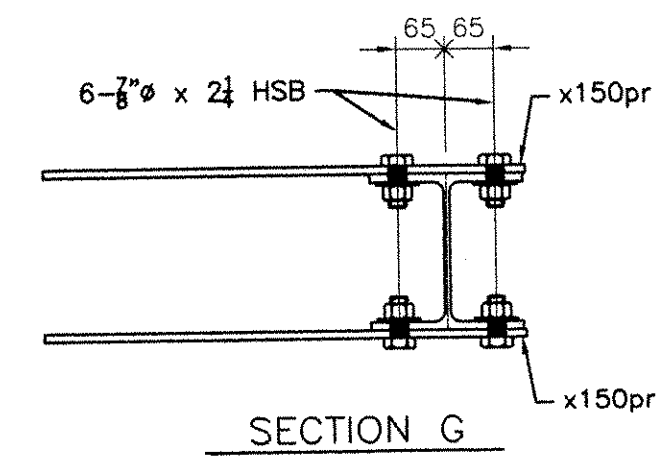
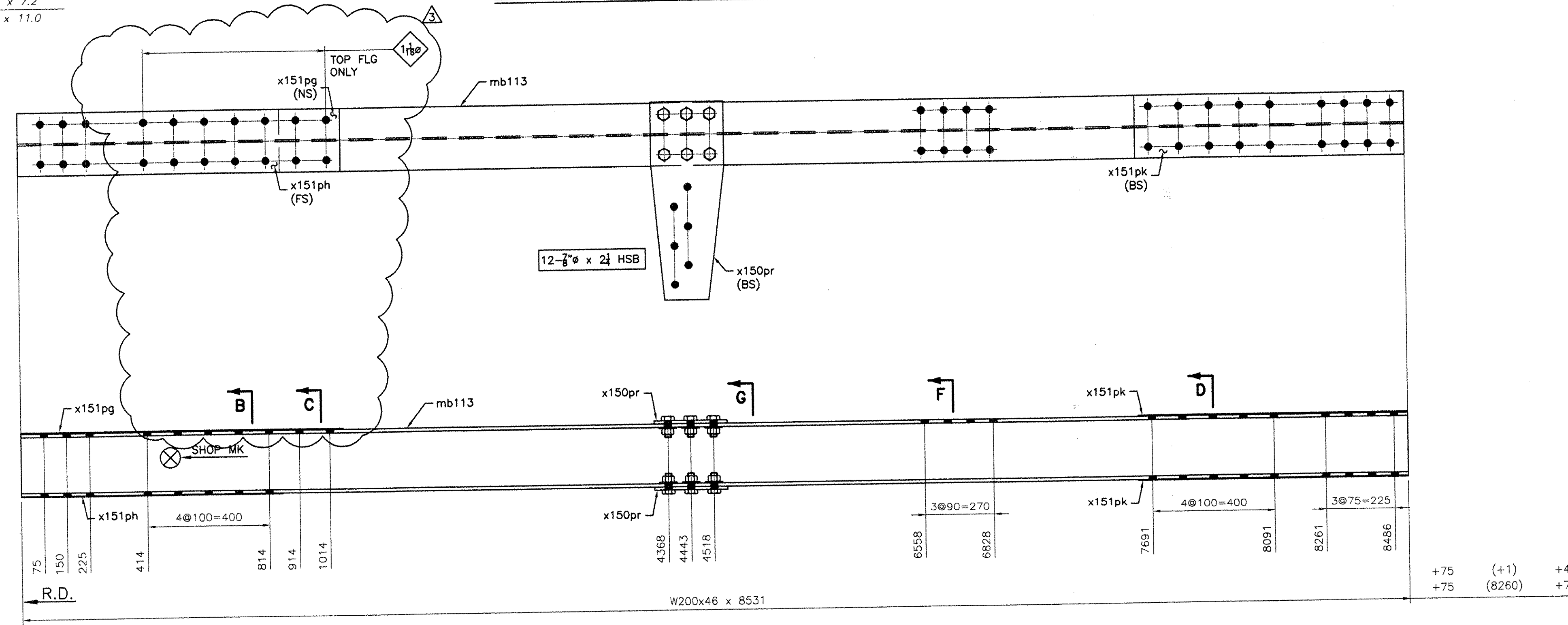


BOLTS LIST		
QTY	DESCRIPTION	LENGTH
SHOP BOLTS LIST		
48	7/8" HSB	2 1/4
16	1" HSB	3 1/2
FIELD BOLTS LIST		
48	7/8" HSB	2 1/4

- NOTES:
- 1- GENERAL NOTES: SEE GN101
 - 2- HOLES: 15/16" (24#) (UN)
 - 3- ALL HS BOLTS SHALL BE A325 TYPE 1 GALVANIZED C/W 1 NUT & 1 WASHER (UN)
 - 4- ALL STEEL SHALL BE GALVANIZED, SEE GN101
 - 5- ALL SHOP BOLTS SHALL BE HAND TIGHTEN
 - 6- ALL HOLES SHALL BE "CNC" DRILLED (UN)
 - 7- WIRE-BRUSH PREPARATION 3" OF OPEN HOLES FOR FAYING SURFACES PRIOR TO BOLTING
 - 8- ALL FILL PLATES SHALL BE WIRE ATTACHED FOR SHIPPING

W | 203 x 7.2
F | 203 x 11.0

2 -VERTICAL BRACE ASSEMBLIES - 113VB3



RECEIVED
OK'D BY: *MM*
SEP 23 2005
RESUBMIT: APPROVED:
BY: *MM* DATE: 9/23/05

REV	DATE	DESCRIPTION	QTY	DATE	ISSUED TO	FOR
1	9/06/05	AS PER REVISED DESIGN				
2	8/17/05	AS PER REVISED DESIGN				
3	8/20/05	AS PER APPROVAL COMMENTS				

QTY	DATE	ISSUED TO	FOR
8	9/19/05	F.W. Whitcomb	APPROVAL
8	4/8/05	F.W. WHITCOMB CONSTRUCTION	APPROVAL

NOTICE
This drawing shall not be used or reproduced in any manner, nor shall any similar drawings or structures be made therefrom, nor shall the information thereon be used for any purpose other than that for which it is released without the written consent of an officer of EASTERN BRIDGE LLC.

PROJECT: ROUTE 100 OVER THE WEST RIVER
LOCATION: TOWN OF JAMAICA
ENGINEER: CLD CONSULTING ENGINEERS
CUSTOMER: VERMONT A. O. I.
DRAWING TITLE: VERTICAL BRACES ASSEMBLIES
DRAWN BY: YT 02/23/05 JOB
CHECKED BY: GG 03/30/05 NUMBER: 5075 SHEET NUMBER: 113

EASTERN BRIDGE LLC
RURAL RTE 2, BOX 302
CLAREMONT, NH 03743
603-542-5202