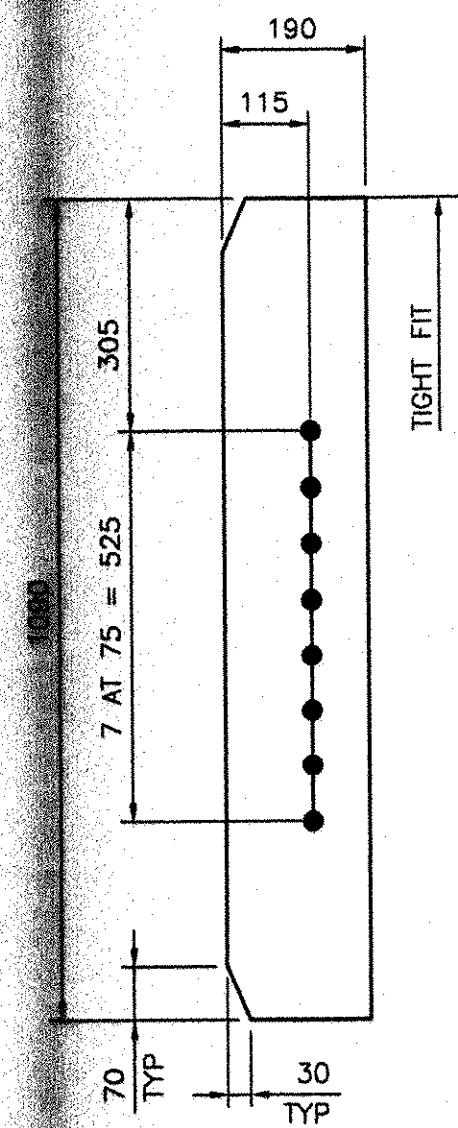
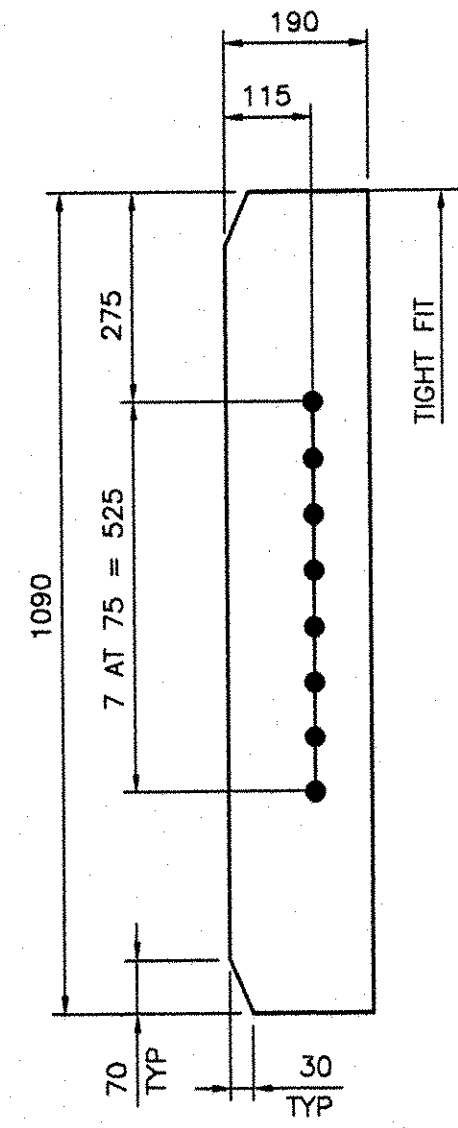


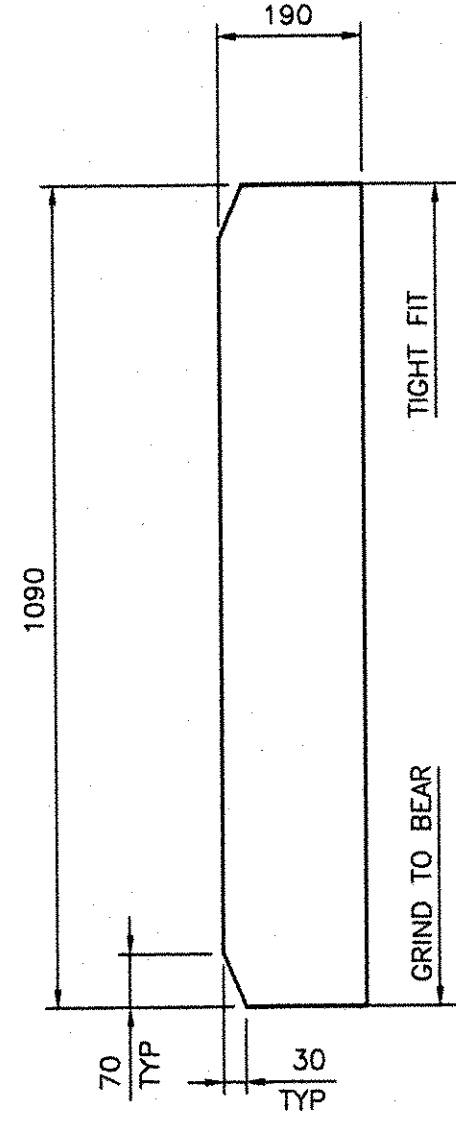
ITEM x1pa (16 REQ'D)
SCALE: 1:10 (PL14 x 190 x 1090)
(M270M GR345W)



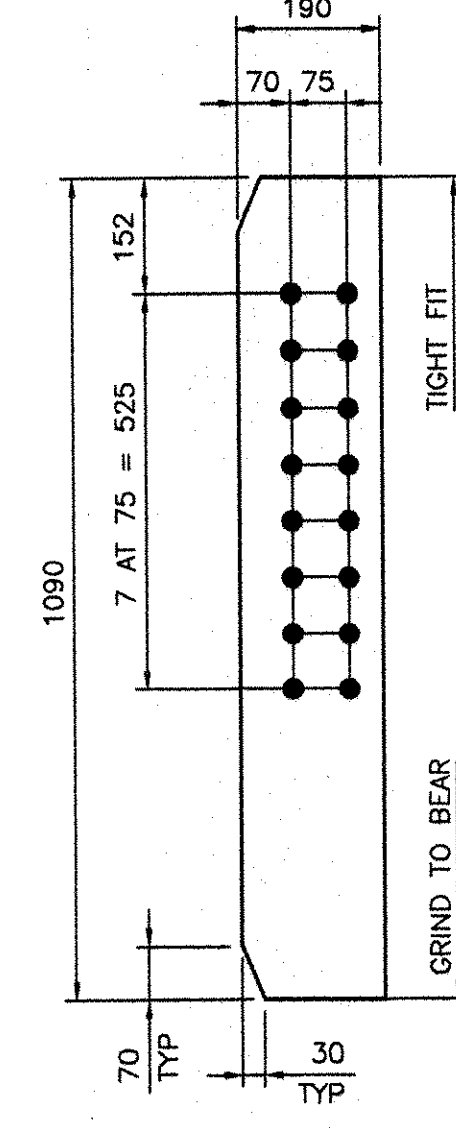
ITEM x1pb (8 REQ'D)
SCALE: 1:10 (PL14 x 190 x 1090)
(M270M GR345W)



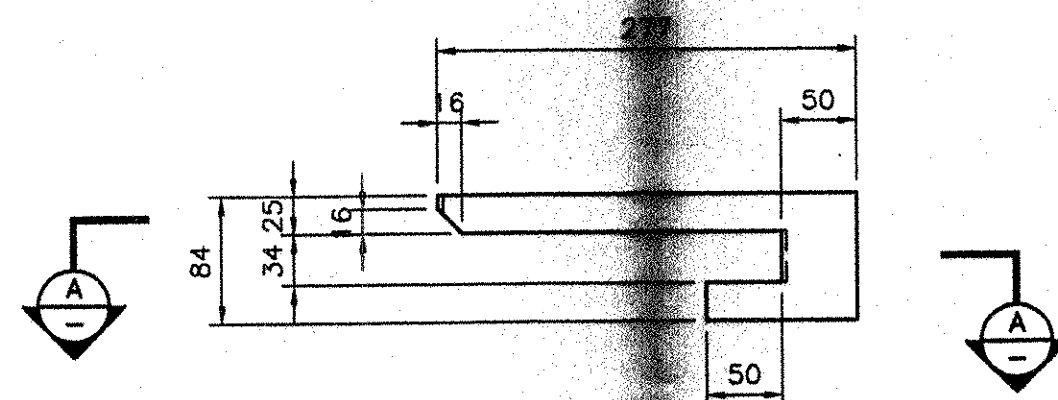
ITEM x1pc (8 REQ'D)
SCALE: 1:10 (PL14 x 190 x 1090)
(M270M GR345W)



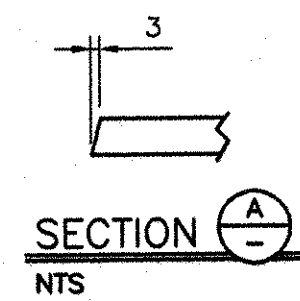
ITEM x1pd (4 REQ'D)
SCALE: 1:10 (PL22 x 190 x 1090)
(M270M GR345W)



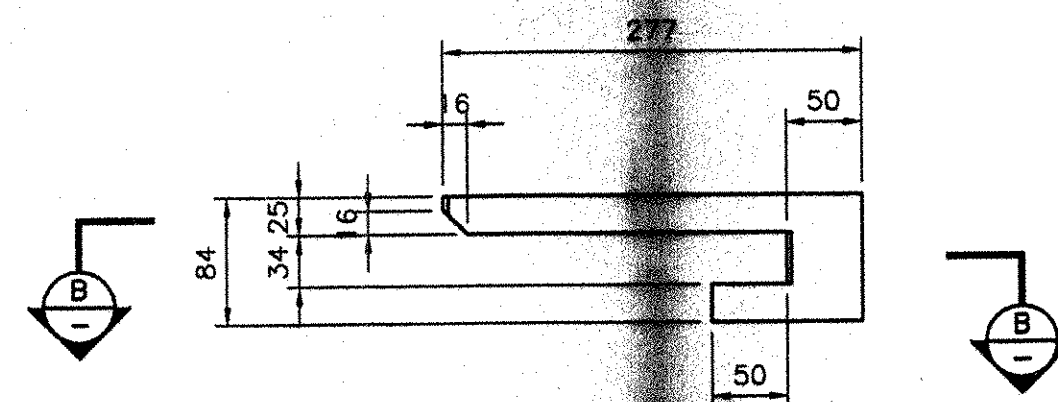
ITEM x1pf (16 REQ'D)
SCALE: 1:10 (PL22 x 190 x 1090)
(M270M GR345W)



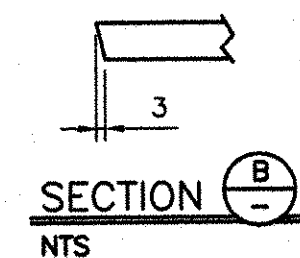
ITEM x1pg (1 REQ'D)
SCALE: 1:5 (PL14 x 84 x 277)
(M270M GR345W)



SECTION A-A
NTS



ITEM x1ph (1 REQ'D)
SCALE: 1:5 (PL14 x 84 x 277)
(M270M GR345W)



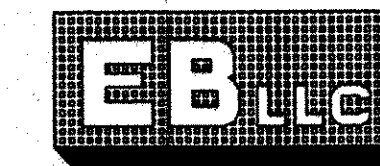
SECTION B-B
NTS

- NOTES:
1- GENERAL NOTES: SEE GN1
2- HOLES: 15/16" (24#)

RESERVED FOR STAMPS

REV	DATE	DESCRIPTION	QTY	DATE	ISSUED TO	FOR
8	12/6/04	F.W. Whitcomb			Approval	

NOTICE
This drawing shall not be used or reproduced in any manner, nor shall any similar drawings or structures be made therefrom, nor shall the information thereon be used for any purpose other than that for which it is released without the written consent of an officer of EASTERN BRIDGE LLC.



EASTERN BRIDGE LLC
RURAL RTE. 2, BOX 302
CLAREMONT, NH 03743
603-542-5202

PROJECT: ROUTE 100 OVER THE WEST RIVER			
LOCATION: TOWN OF JAMAICA			
ENGINEER: CLD CONSULTING ENGINEERS			
CUSTOMER: VERMONT A. O. T.			
DRAWING TITLE: DETAILS			
DRAWN BY: BR	11/26/04	JOB	SHEET
CHECKED BY: GG	11/30/04	NUMBER: 5075	NUMBER: X1