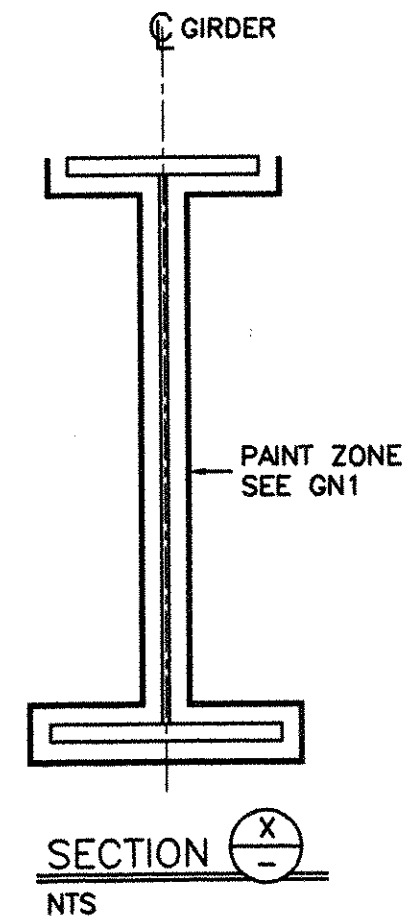
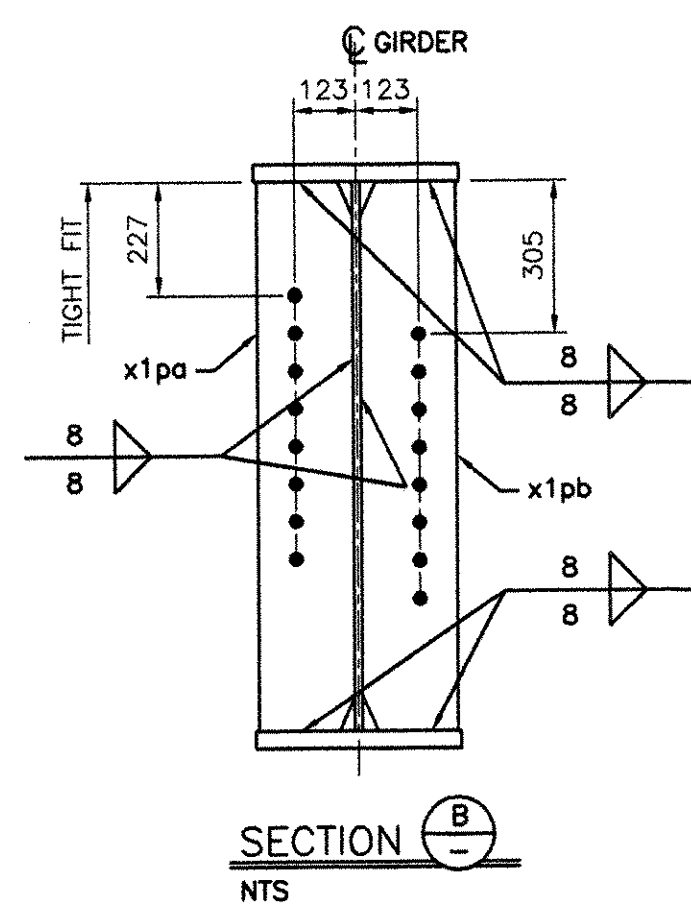
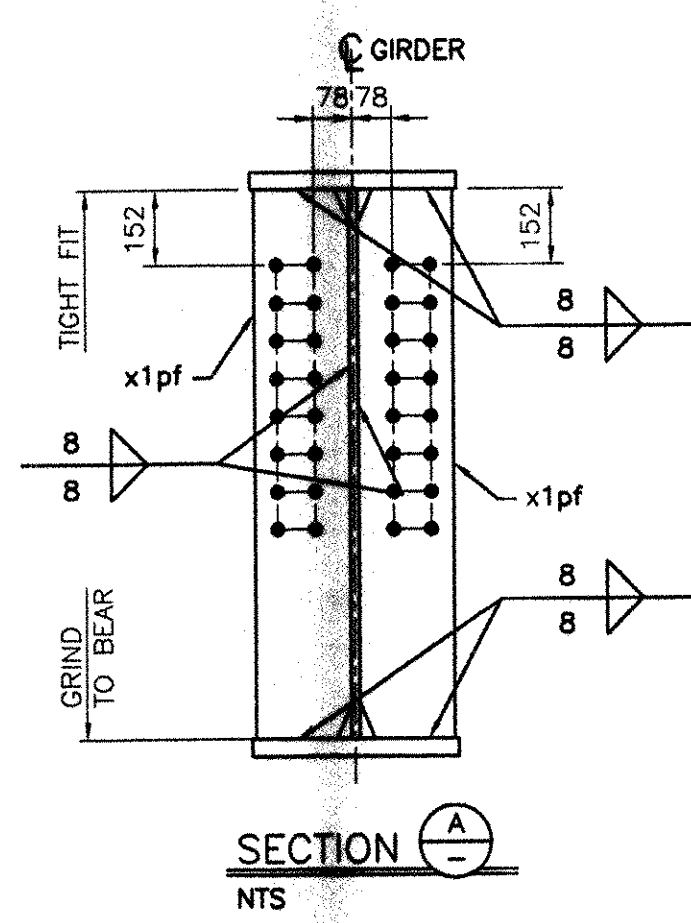


GIRDER 2G2 (1 REQ'D)
NTS

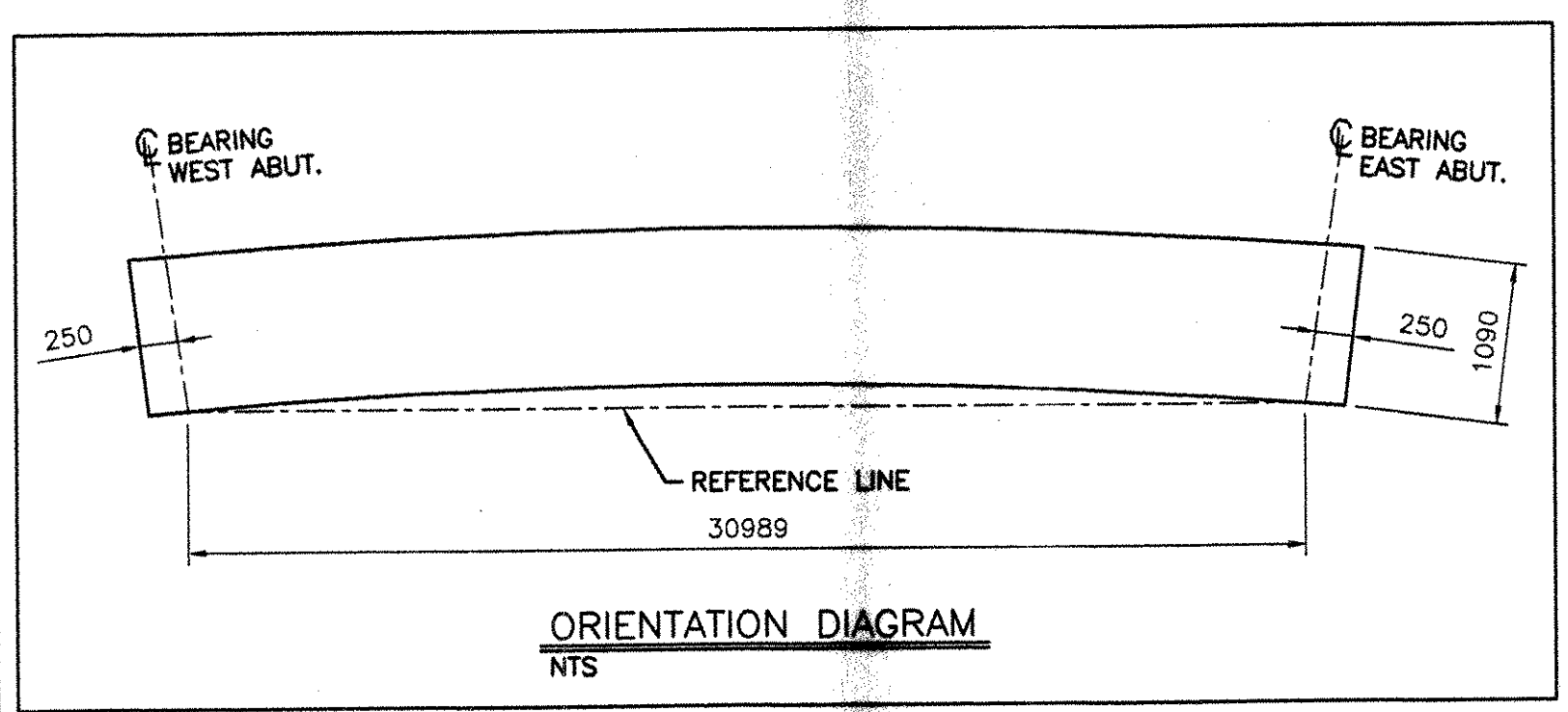


BILL OF MATERIAL										
Drawing Number	Revision Number	Ship Mark	Piece Mark	Qty	Type of Material	Size of Material	Grade	Length	Finish	Notes
2		2G2	1	1	PL Plate	16x1090	M270M-GR345W	20023	CVN	2
2		2G2	1	1	PL Plate	16x1090	M270M-GR345W	11502	CVN	9
2		2G2	1	1	PL Plate	34x410	M270M-GR345W	12000		1
2		2G2	1	1	PL Plate	34x410	M270M-GR345W	19514		8
2		2G2	1	1	PL Plate	34x410	M270M-GR345W	12000	CVN	3
2		2G2	1	1	PL Plate	34x410	M270M-GR345W	19489	CVN	10
2		2G2	4	4	PL Plate	14x190	M270M-GR345W	1090		5
2		2G2	4	4	PL Plate	14x190	M270M-GR345W	1090		5
2		2G2	4	4	PL Plate	22x190	M270M-GR345W	1090		4

TOTAL WEIGHT	11533 kg
-CUTS	2 kg
+FIELD BOLTS	REFER TO 'E' DWG
+WELD	59 kg
NET TOTAL	11590 kg

- NOTES:
 1- GENERAL NOTES: SEE GN1
 2- PAINT: SEE GN1
 3- HOLES: 15/164 (244) (U.N.O.)
 4- REF. SHOP DWG'S: WC1

RESERVED FOR STAMPS



NOTICE
 This drawing shall not be used or reproduced in any manner, nor shall any similar drawings or structures be made therefrom, nor shall the information thereon be used for any purpose other than that for which it is released without the written consent of an officer of EASTERN BRIDGE LLC.

		EASTERN BRIDGE LLC RURAL RTE 2, BOX 302 CLAREMONT, NH 03743 603-542-5202																					
<table border="1"> <tr><th>REV</th><th>DATE</th><th>DESCRIPTION</th></tr> <tr><td> </td><td> </td><td> </td></tr> <tr><td> </td><td> </td><td> </td></tr> <tr><td> </td><td> </td><td> </td></tr> </table>	REV	DATE	DESCRIPTION										<table border="1"> <tr><th>QTY</th><th>DATE</th><th>ISSUED TO</th><th>FOR</th></tr> <tr><td>8</td><td>12/8/04</td><td>F W Whitcomb</td><td>Approval</td></tr> </table>	QTY	DATE	ISSUED TO	FOR	8	12/8/04	F W Whitcomb	Approval	PROJECT: ROUTE 100 OVER THE WEST RIVER LOCATION: TOWN OF JAMAICA ENGINEER: CLD CONSULTING ENGINEERS CUSTOMER: VERMONT A. O. T. DRAWING TITLE: GIRDER 2G2 DRAWN BY: BR 11/26/04 JOB CHECKED BY: GG 11/30/04 NUMBER: 5075 SHEET NUMBER: 2	
REV	DATE	DESCRIPTION																					
QTY	DATE	ISSUED TO	FOR																				
8	12/8/04	F W Whitcomb	Approval																				