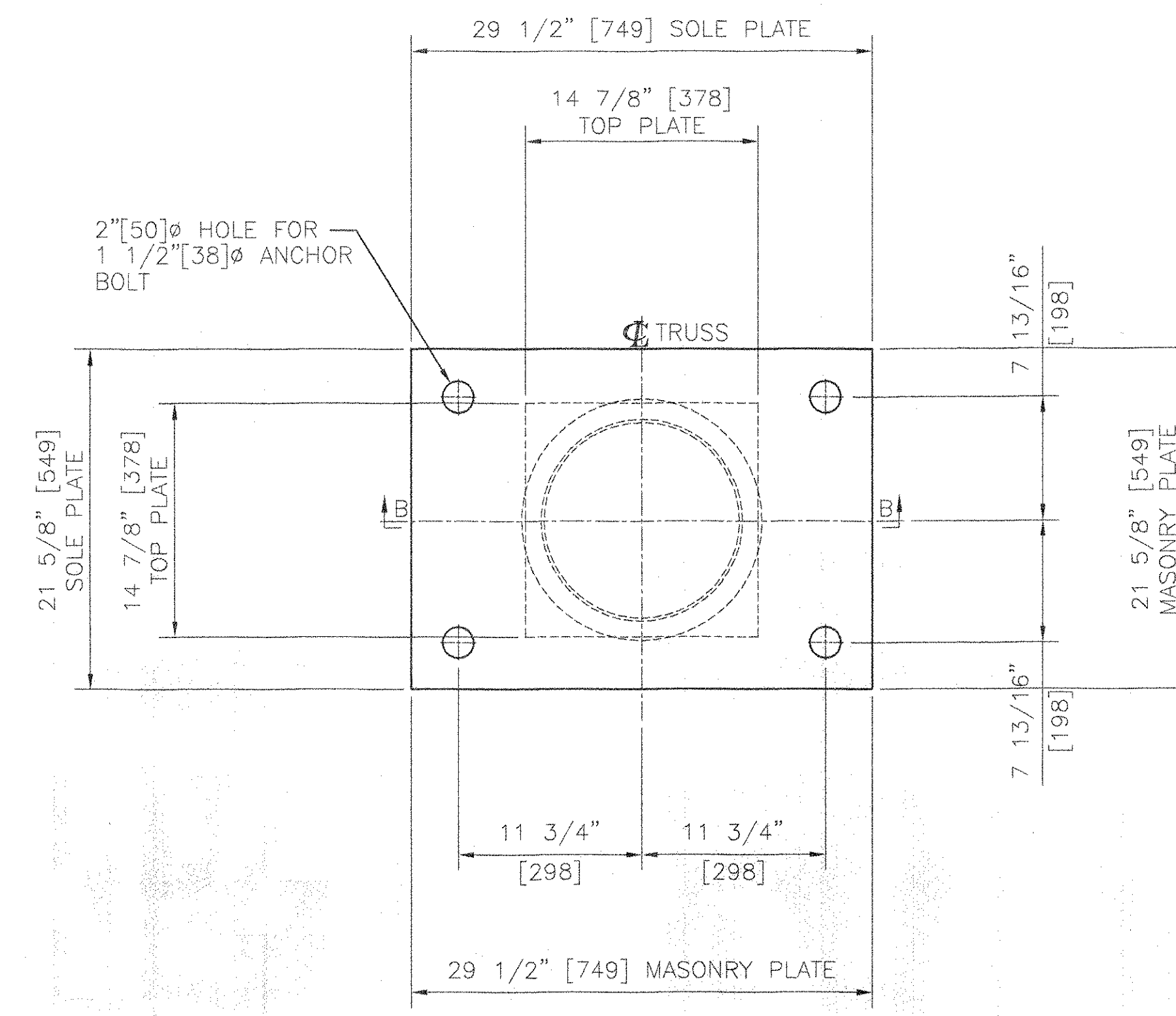
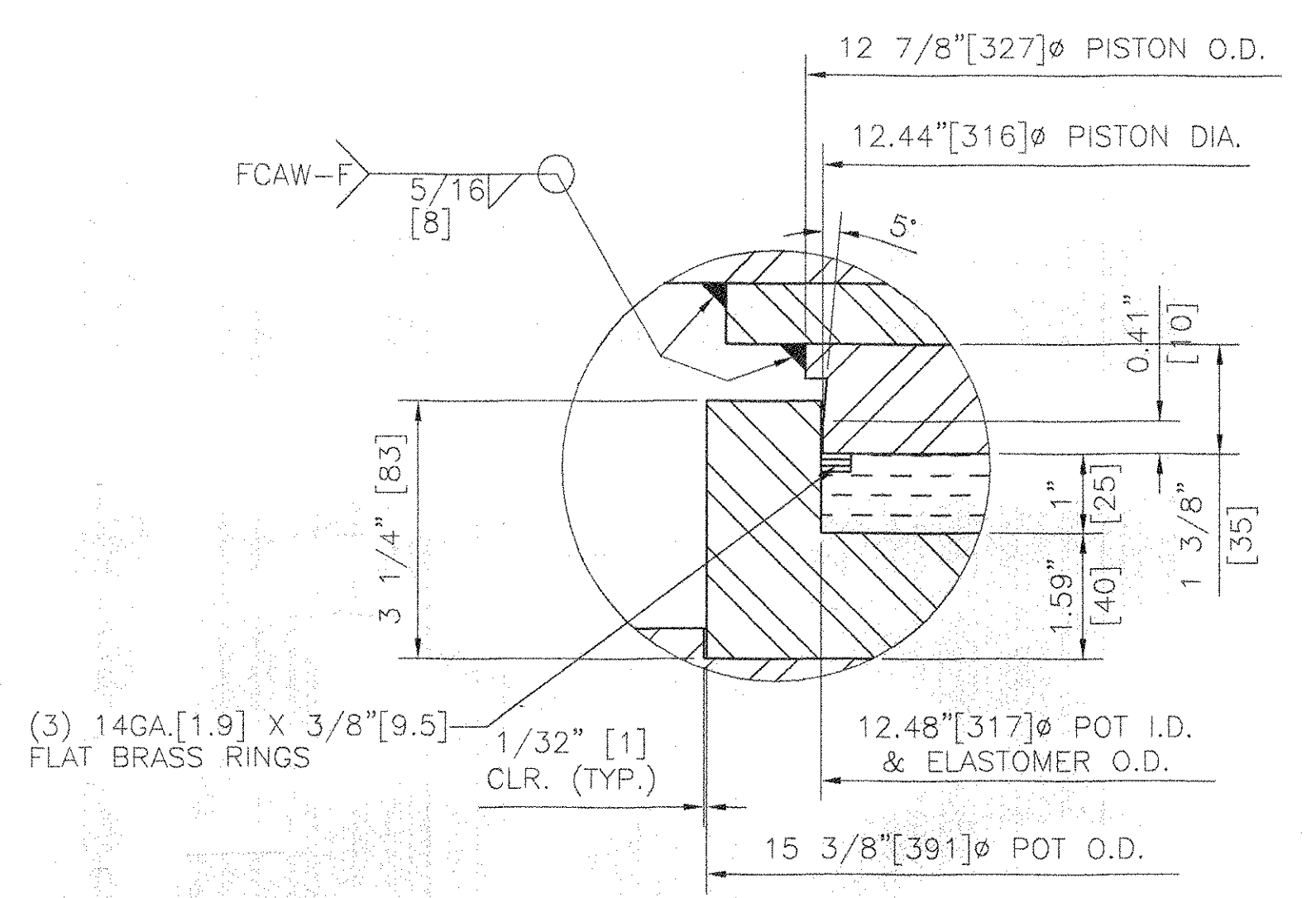


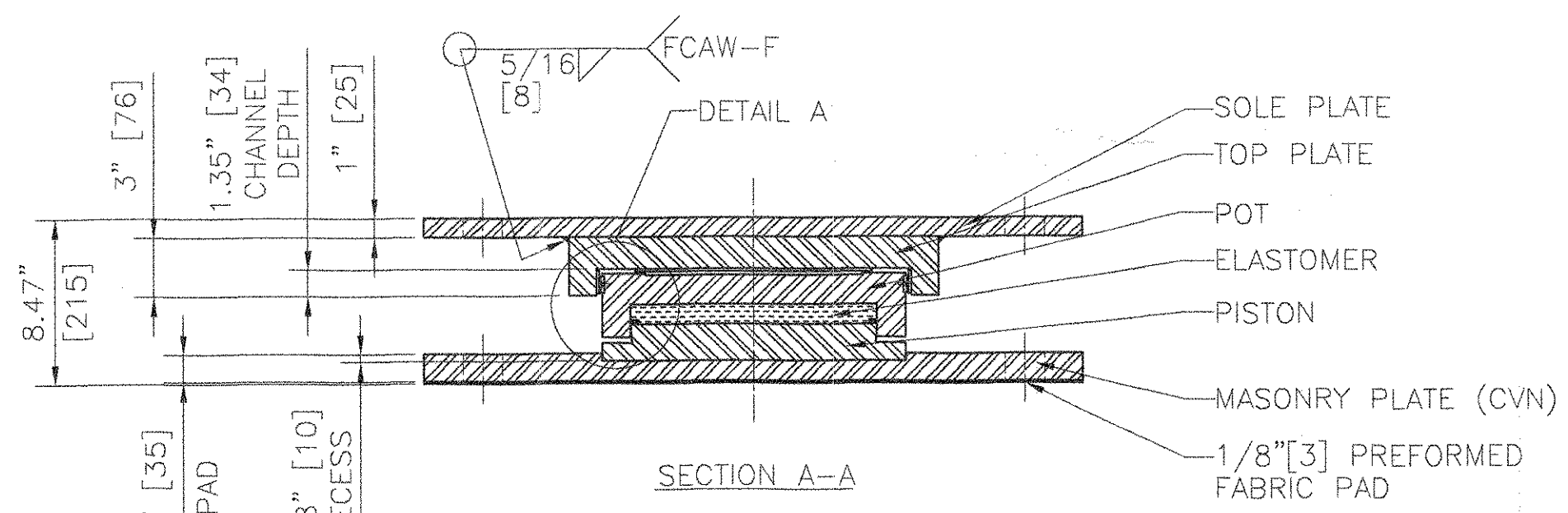
PLAN



PLAN



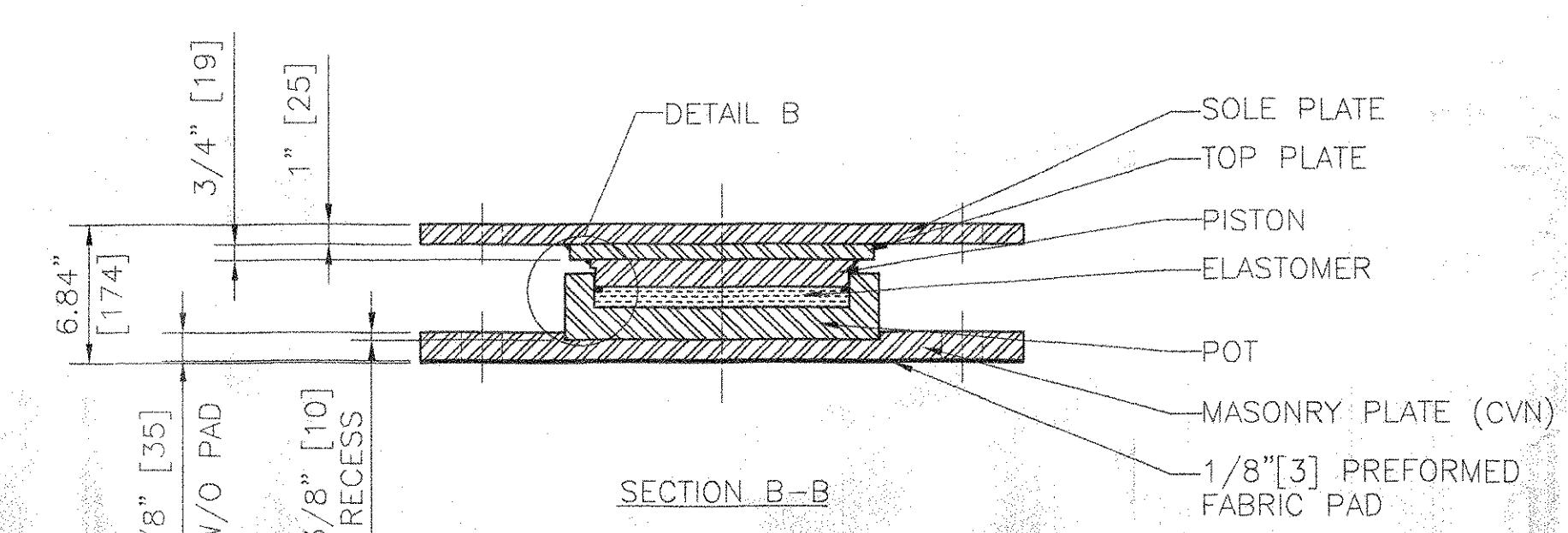
DETAIL B



SECTION A-A

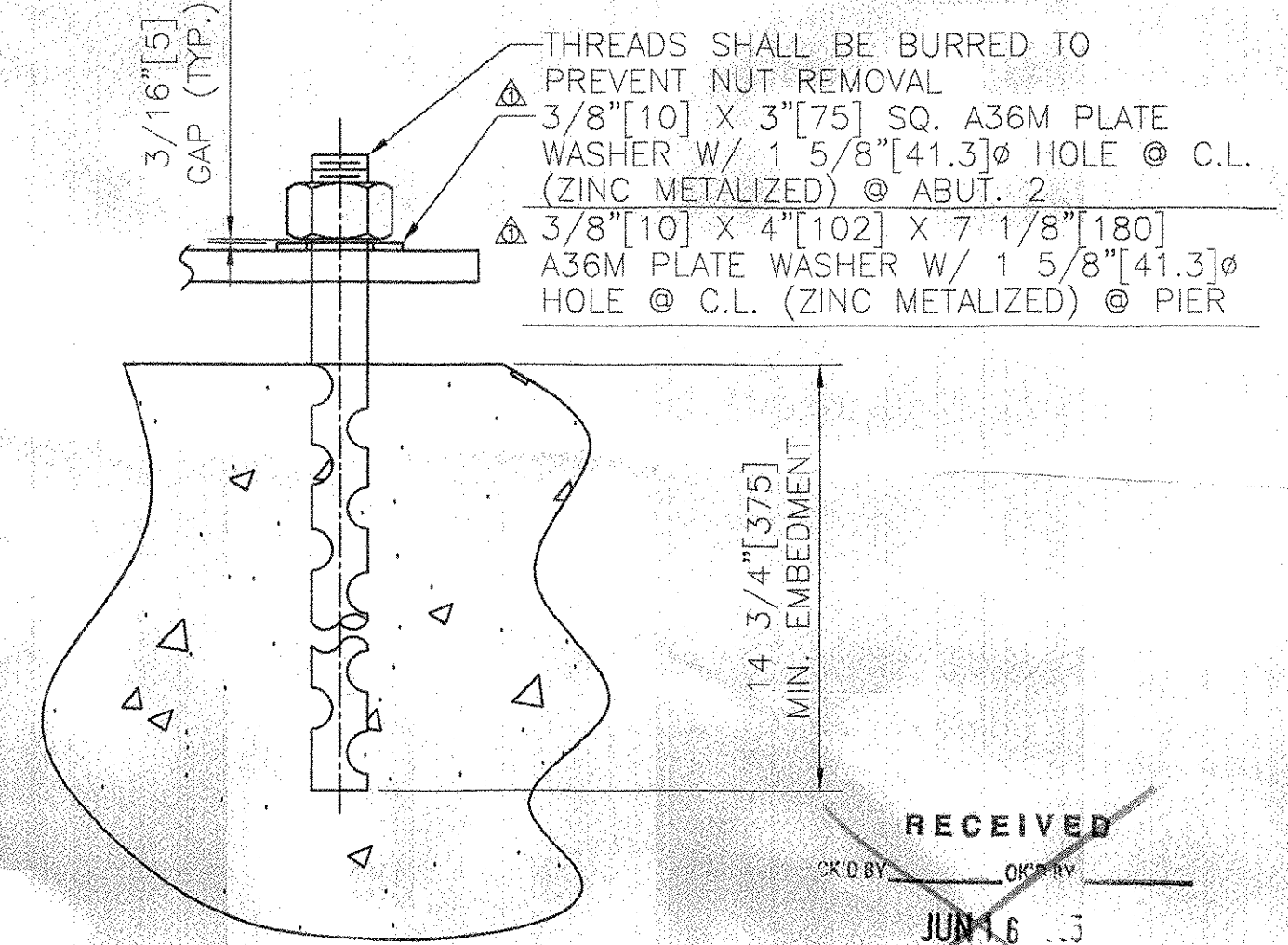
GUIDED EXPANSION POT BEARING
 LOCATION - PIER, TRUSS 1 & 2
 QUANTITY - 2
 TOTAL VERTICAL LOAD - 428 KIPS [1900 KN]
 TOTAL HORIZONTAL LOAD - 74 KIPS [325 KN]
 TOTAL LONGITUDINAL MOVEMENT - 4 1/2" [114mm]
 TOTAL TRANSVERSE MOVEMENT - 1/8" [3mm]

NOTE:
 OVERALL HEIGHTS DIFFER FROM THOSE SHOWN ON THE CONTRACT PLANS. CONTRACTOR SHALL ADJUST PEDESTAL HEIGHTS TO ACCURATELY REFLECT THE HEIGHTS OF BEARINGS SUPPLIED.



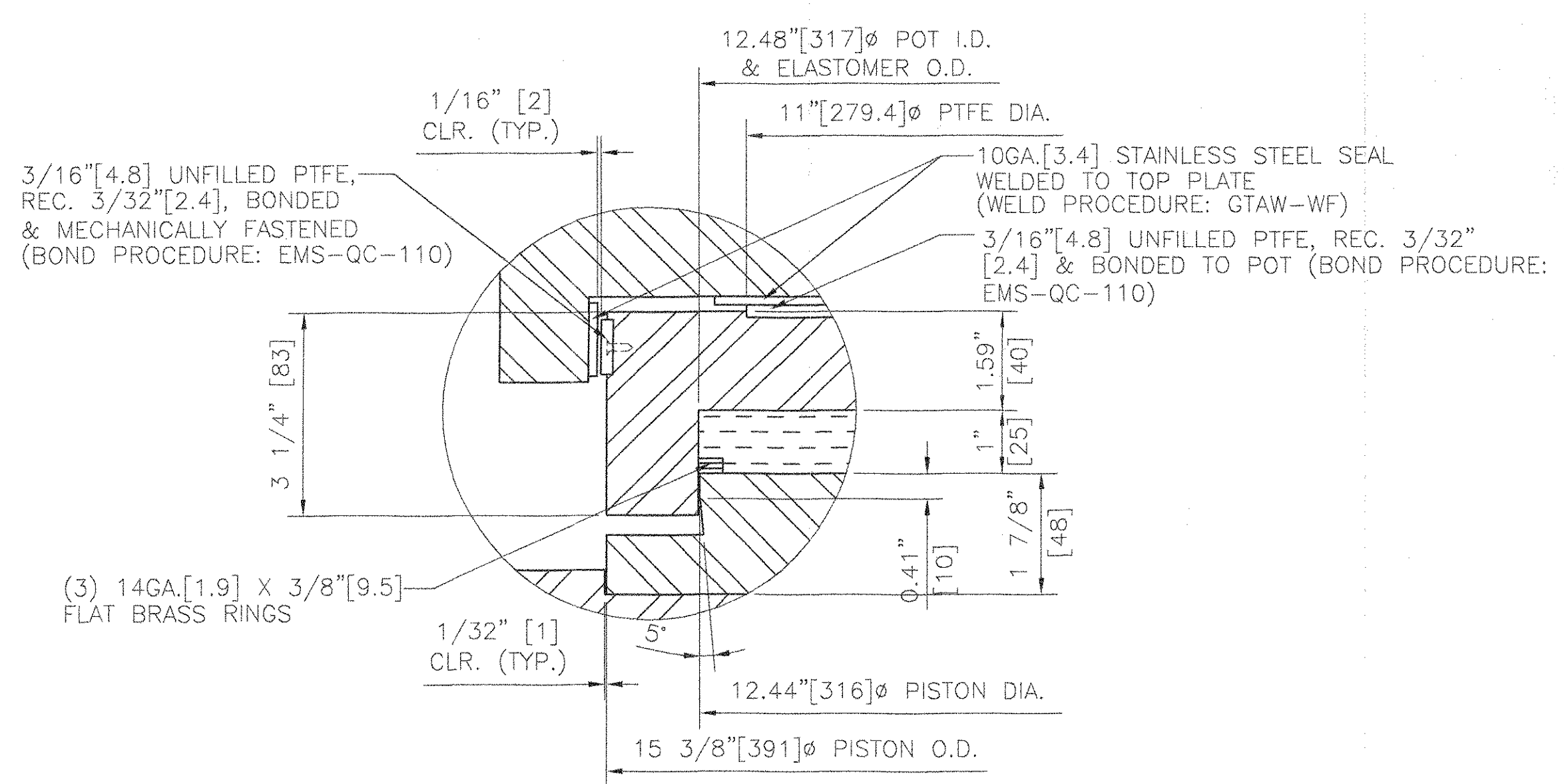
SECTION B-B

FIXED POT BEARING
 LOCATION - ABUTMENT 2, TRUSS 1 & 2
 QUANTITY - 2
 TOTAL VERTICAL LOAD - 428 KIPS [1900 KN]
 TOTAL HORIZONTAL LOAD - 74 KIPS [325 KN]



ANCHOR BOLT DETAIL
N.T.S.

1 1/2" [38] X 23 5/8" [600] LONG ASTM F1554M GR. 55 SWEDGED ANCHOR BOLT WITH 4" [102] OF THREADS ONE END & ONE ASTM A563M HEAVY HEX NUT. ALL GALVANIZED.



DETAIL A

MATERIAL:
 STEEL - ASTM A709M GR. 250 ZINC METALIZED & SEALED WITH AN APPROVED SEALER (STEEL FOR MASONRY PLATES SHALL HAVE CVN CERTIFICATIONS)
 ELASTOMER - AASHTO 50 DUROMETER NEOPRENE
 FLAT BRASS RINGS - ASTM B36 HALF HARD
 PREFORMED FABRIC PAD - AASHTO 18.4.9.1 DIV. II
 STAINLESS STEEL - ASTM A240 TYPE 304, 10 RMS FINISH OR LESS
 PTFE - ASTM D4894 VIRGIN UNFILLED

- NOTES:**
- UNITS: INCH[mm]
 - DESIGN ROTATION - 0.024 RADIAN
 - BEARINGS MUST NOT BE DISASSEMBLED
 - ALL BEARINGS SHALL BE METALIZED AS PER SECTION 531.04(b) & 506.15 (a) & (b). AREAS OF METALIZED DAMAGED BY FIELD WELDS OR HANDLING SHALL BE REPAIRED PER SUPPLEMENTAL SPECIFICATION 513.06(f).
 - LOCATION OF FABRICATION PLANT - 70 SOUTH ST., WALPOLE, MA 02081
 - COSMEC INC. REPRESENTATIVE - MR. MATT McANDREWS (508-668-6600)
 - PROTECT PTFE & S.S. SURFACES FROM DIRT, WELD SPATTER, & ANY OTHER FOREIGN SUBSTANCES.
 - PRIOR TO METALIZING, ALL CORNERS AND EDGES OF STEEL PLATES, SHAPES, ETC. SHALL BE GROUND TO A 1/16" [1.6] RADIUS.

RECEIVED
 JUN 16 2005
 APPROVED BY: MCM
 DATE: 6/24/05

STATE OF VERMONT
AGENCY OF TRANSPORTATION
 PROJECT NO. BRF 013-1(8)
 BRIDGE NO. 80
 VT RTE 100 OVER THE WEST RIVER
 TOWN OF JAMAICA

COSMEC, INC. 70 SOUTH STREET
 WALPOLE, MA 02081

SCALE: 1/8"=1" DRAWN BY: NH CHECKED BY: MCM
 DATE: 4.4.05 DATE: 4.6.05

COSMEC POT BEARINGS

CUSTOMER: F.W. WHITCOMB S.O. NUMBER: 60264 DRAWING NUMBER: 4407 REV: 1