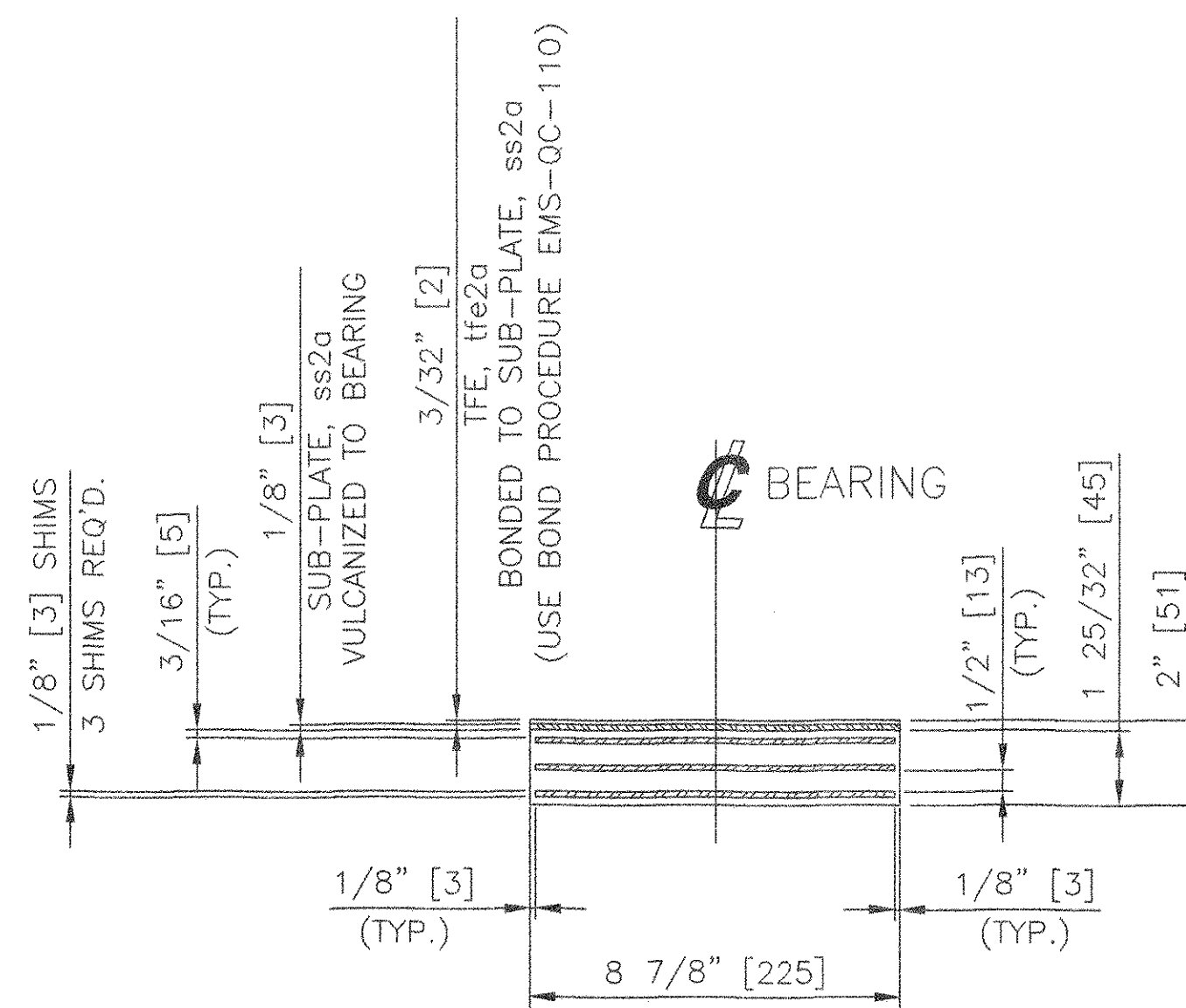
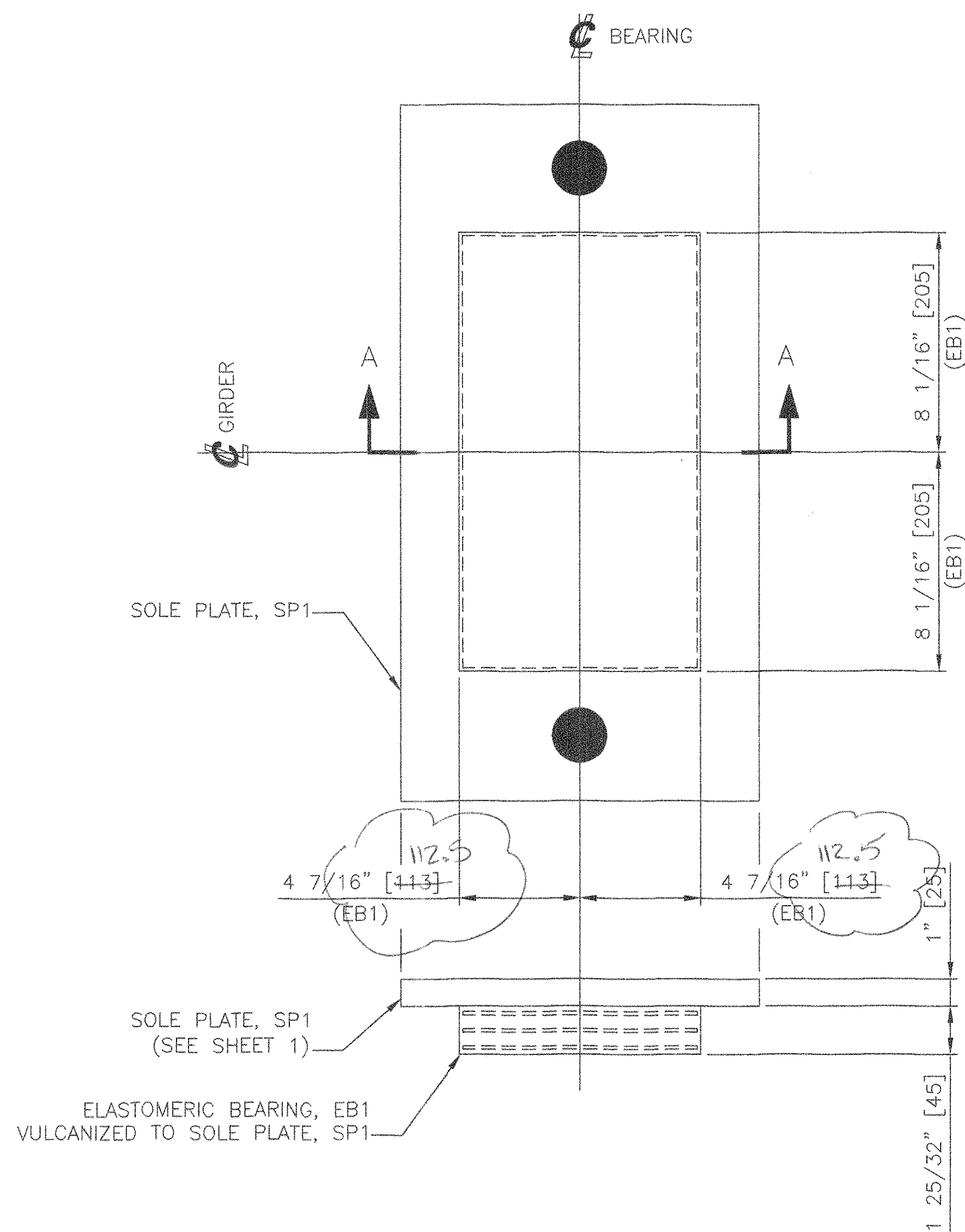


SECTION A-A

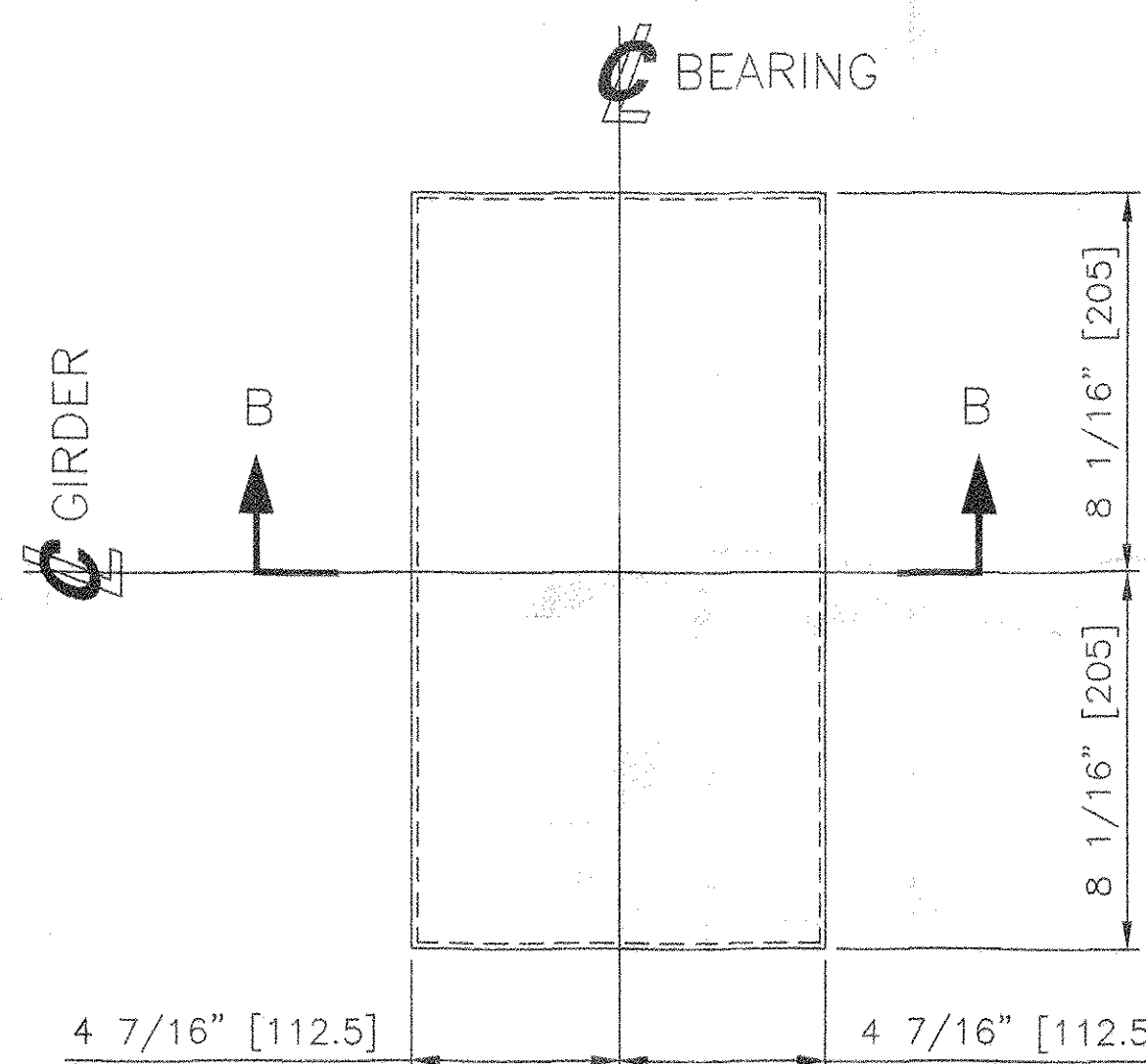


SECTION B-B



5 ELASTOMERIC BEARINGS, EB1

LAMINATED ELASTOMERIC BEARINGS
 1 25/32" (45) x 8 7/8" (225) x 16 1/8" (410)
 SHIMS - 1/8" (3) CONFORMING TO
 AASHTO M251 SPECIFICATIONS
 VULCANIZED TO SOLE PLATE, SP1
 ELASTOMER - 50 DUROMETER, GRADE 4 NATURAL RUBBER
 CONFORMING TO AASHTO STANDARD SPECIFICATIONS FOR
 HIGHWAY BRIDGES, DIV. II, SECTION 18
 LOCATE AT ABUTMENT 1



5 ELASTOMERIC BEARINGS, EB2

LAMINATED ELASTOMERIC BEARINGS
 1 25/32" (45) x 8 7/8" (225) x 16 1/8" (410)
 SHIMS - 1/8" (3) CONFORMING TO
 AASHTO M251 SPECIFICATIONS
 SUB-PLATE - 1/8" (3) STAINLESS
 A240 TYPE 304, 2B FINISH
 TFE - 3/32" (2) UNFILLED
 CONFORMING TO THE REQUIREMENTS OF
 DIV. 1, SEC. 14 & DIV. II SEC. 18.8 OF THE
 AASHTO STANDARD SPECIFICATIONS FOR HIGHWAY BRIDGES
 ELASTOMER - 50 DUROMETER, GRADE 4 NATURAL RUBBER
 CONFORMING TO AASHTO STANDARD SPECIFICATIONS FOR
 HIGHWAY BRIDGES, DIV. II, SECTION 18
 LOCATE AT PIER

MARK	QTY	DESCRIPTION	FT	IN	16ths	FAB MARK	MILL MARK	WEIGHT
EB1	5	LAM. ELAST. BRG. PAD 1 25/32" (45) x 8 7/8" (225)	.	16	(410)	2	50 DURO.	123
EB2	5	LAM. ELAST. BRG. PAD 1 25/32" (45) x 8 7/8" (225)	.	16	(410)	2	50 DURO.	123
.	5	STAINLESS PL 1/8" (1.6) x 8 7/8" (225)	.	16	(410)	2	A240 TYPE 304	28
.	5	PTFE 3/32" (2.4) x 8 7/8" (225)	.	16	(410)	2	D1457	5

TOTAL = 1556

ENGLISH EQUIVALENT MATERIAL FURNISHED.
 METRIC EQUIVALENT IN PARENTHESIS.

RECEIVED

OK'D BY: _____ OK'D BY: _____
 APR 05 2005
 RESUBMIT _____ APPROVED _____
 BY: _____ DATE: _____

SEE SHEET 1 FOR SHOP NOTES.

STATE OF VERMONT
 AGENCY OF TRANSPORTATION
 VERMONT ROUTE 100
 BRIDGE OVER WEST RIVER
 TOWN OF JAMAICA
 PROJECT NO. BRF 013-1(8)

COSMEC, INC. 70 SOUTH STREET
 WALPOLE, MA. 02081

SCALE: 1/4" = 1" DRAWN BY: JEP CHECKED BY: PJM
 SHEET 2 OF 2 DATE: 03/05 DATE: 03/05

COSMEC BEARING 12166

REV.	BY	DATE	OK'D BY	DATE	CUSTOMER	S.O. NUMBER	DRAWING NUMBER	REV.
---	---	---	---	---	FRANK W. WHITCOMB CONST. CORP.	60264	4401	0