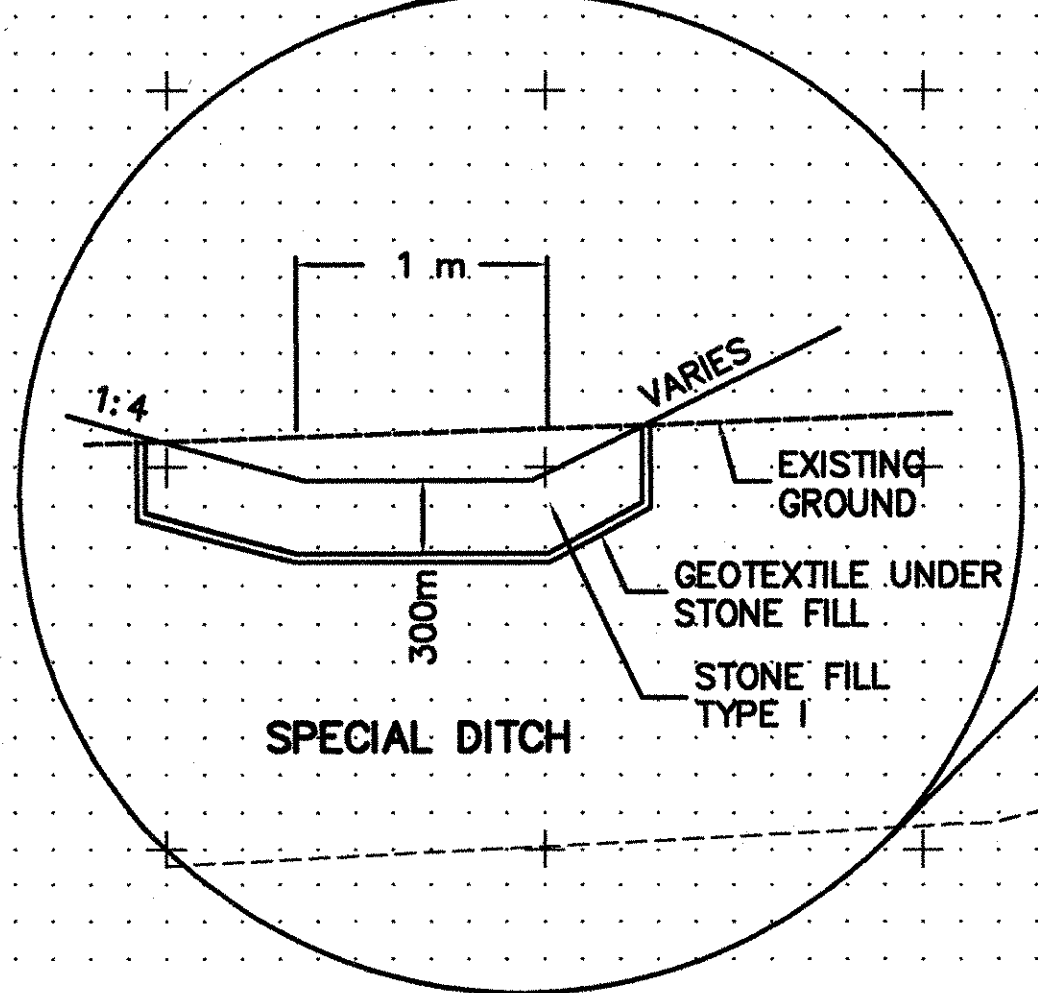
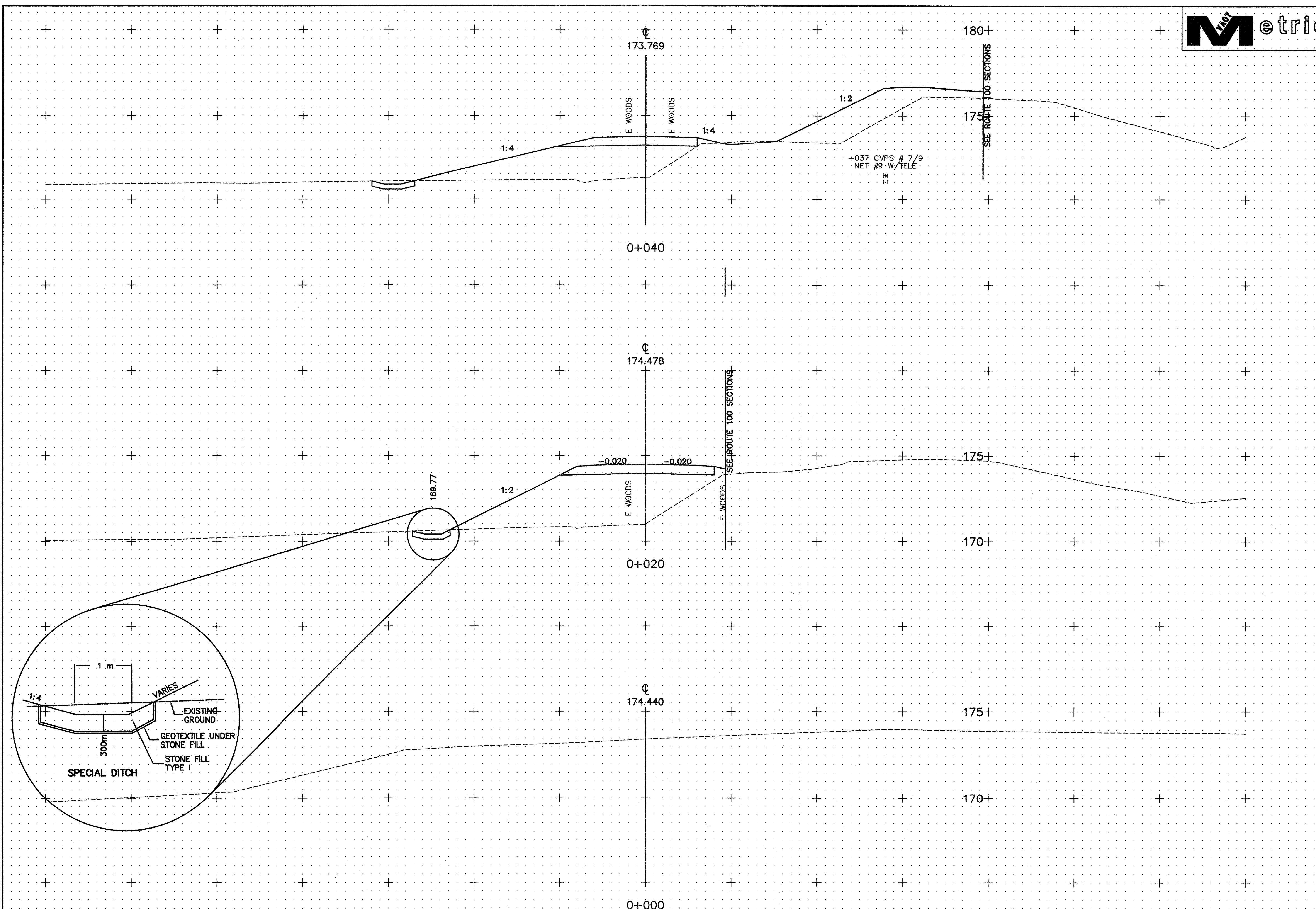


DATE	
BY	
FINAL SURVEY	
NO. CHECKED	
NO.	

DATE	
BY	
ORIGINAL SURVEY	
NO. CHECKED	
NO.	



SCALE 5 m

FROM STA.	0+000	TO STA.	0+040
PROJECT NAME	JAMAICA	TH	56
NO.	BRF 013-1(8)	PLOTTED	11/07/97
SURVEYED BY	CLD	OCT.	1995
SHEET	105 OF 116	SHEETS	

TOWN HIGHWAY 56