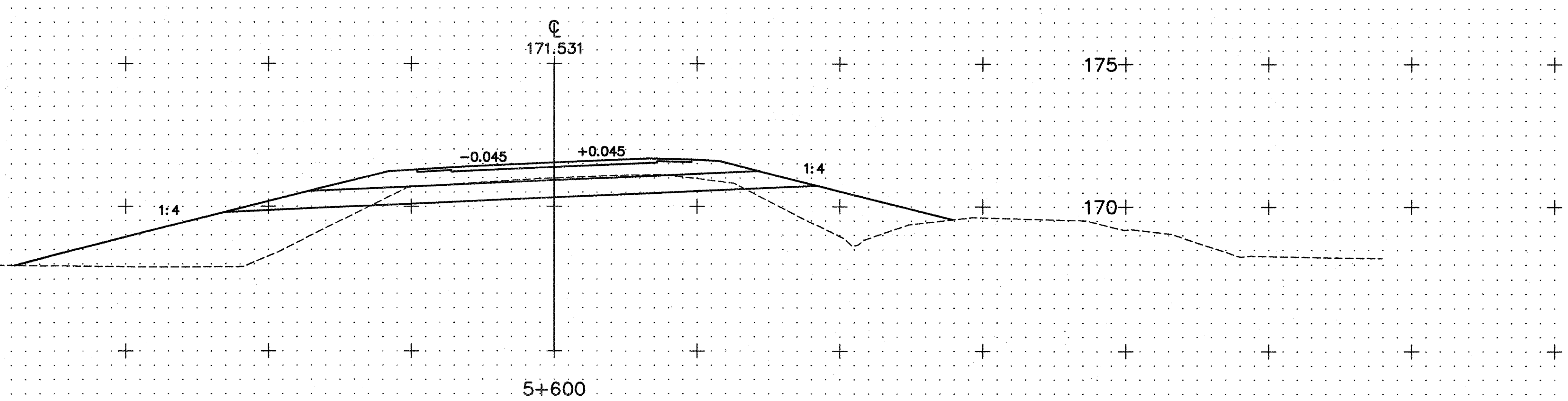
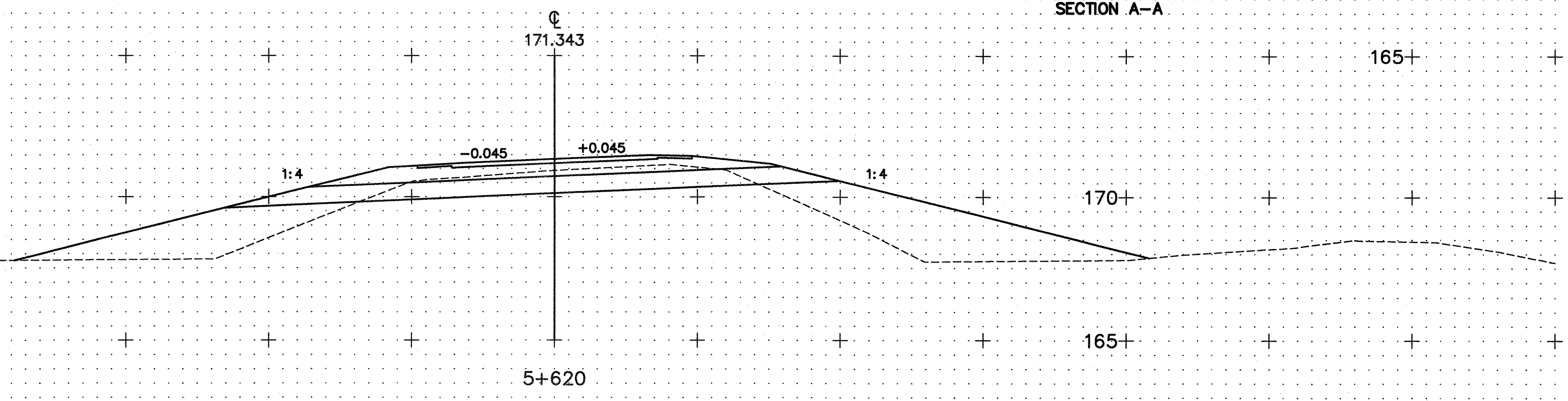
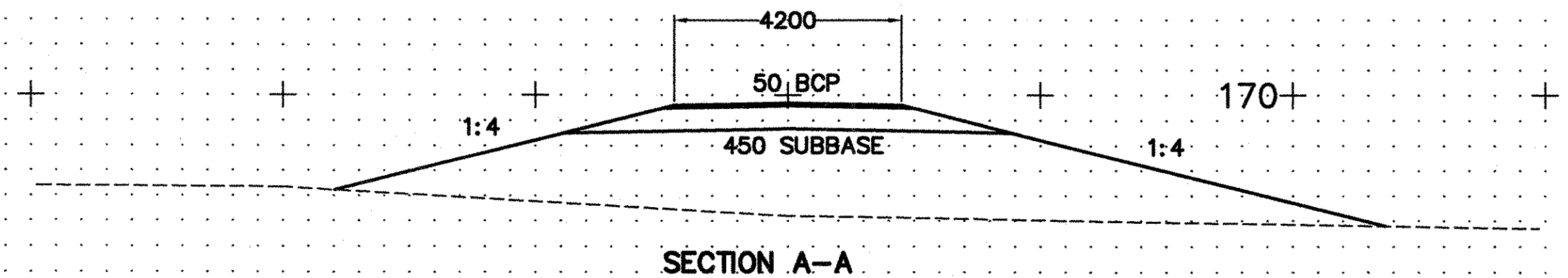
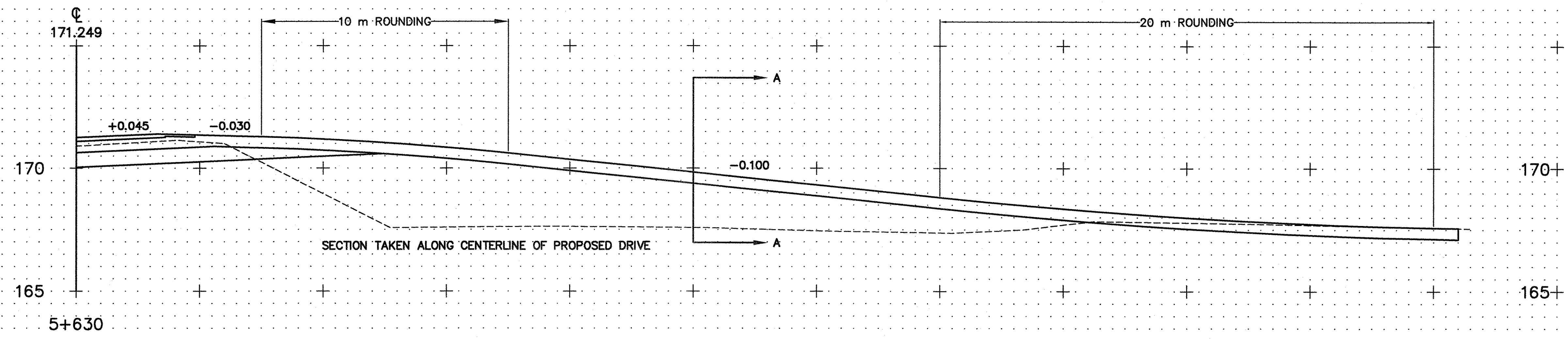


DATE	
BY	
DESIGNED	
CHECKED	
NOTED	
NO.	
FINAL SURVEY	
NO.	

DATE	
BY	
DESIGNED	
CHECKED	
NOTED	
NO.	
ORIGINAL SURVEY	
NO.	



SCALE 5 m

FROM STA. 5+600 TO STA. 5+630
 PROJECT NAME JAMAICA MAIN LINE
 NO. BRF 013-1(8) PLOTTED 11/06/97
 SURVEYED BY CLD OCT. 1995
 SHEET 101 OF 116 SHEETS