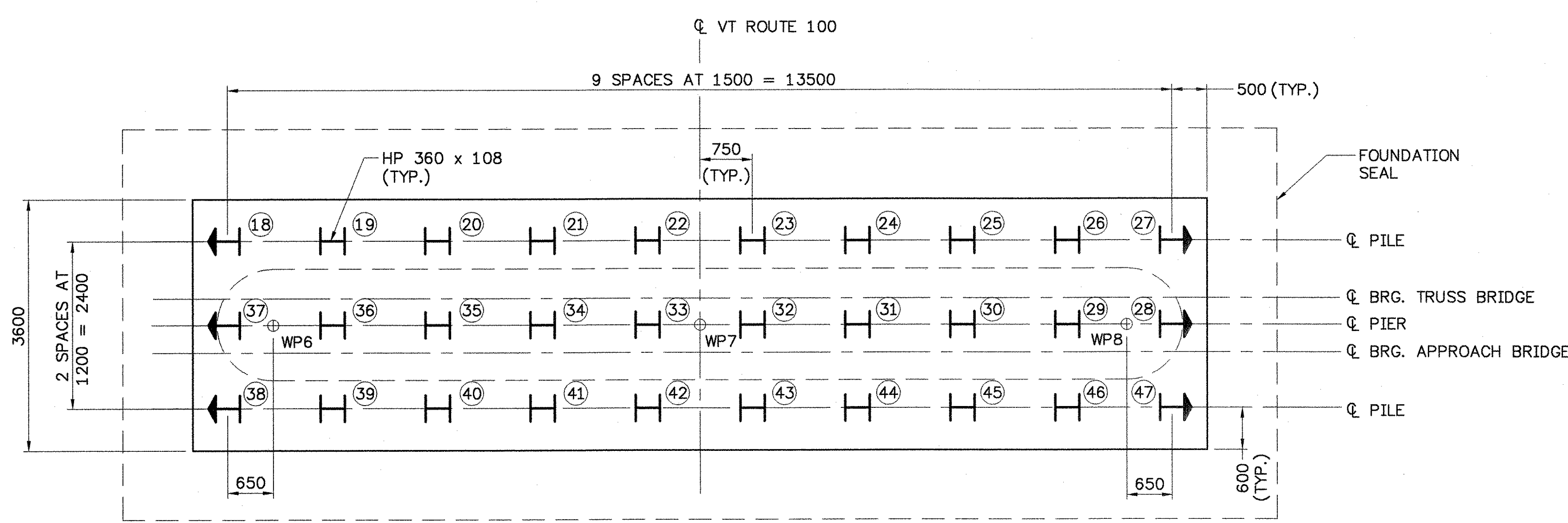
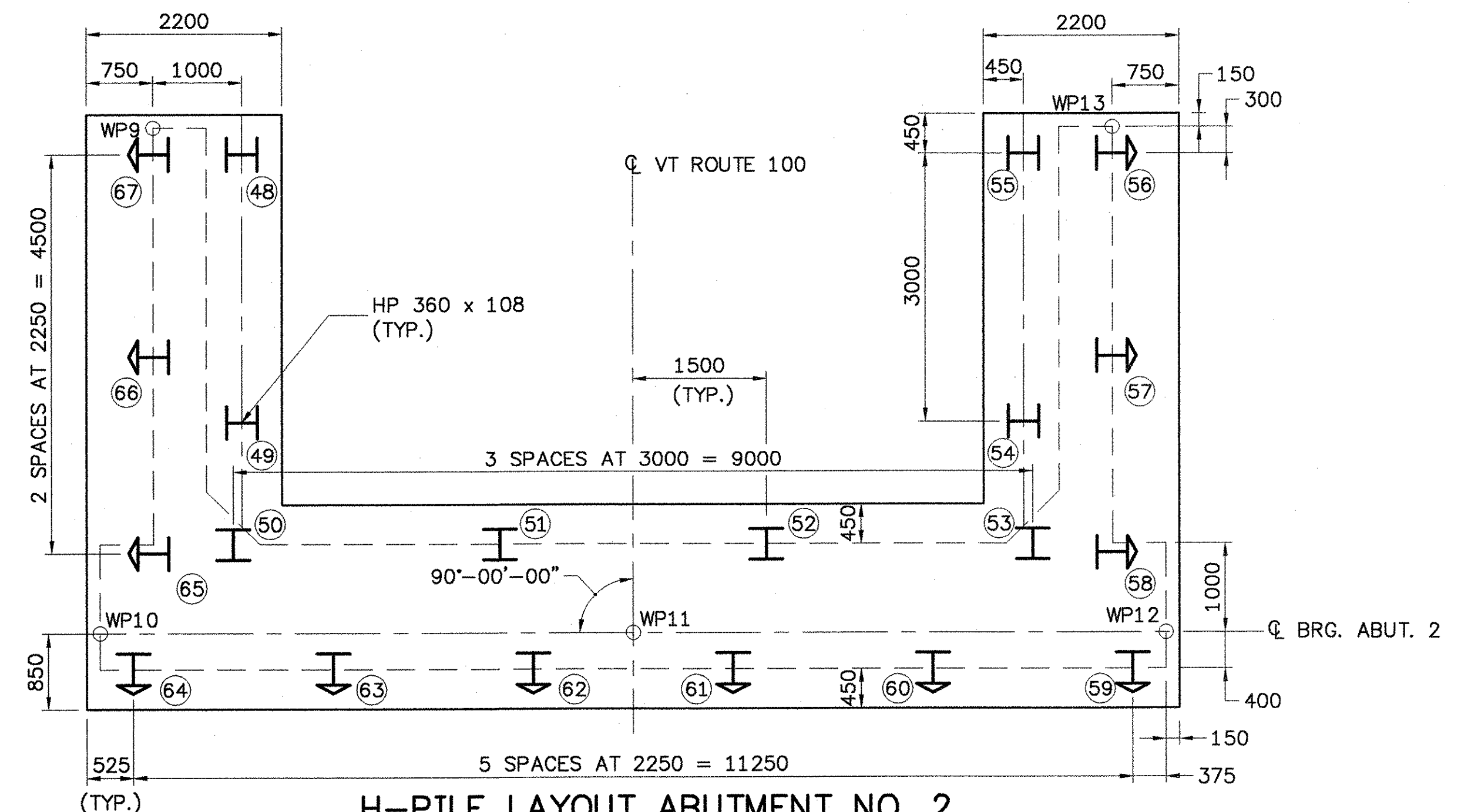


H-PILE LAYOUT ABUTMENT NO. 1
SCALE 1:50



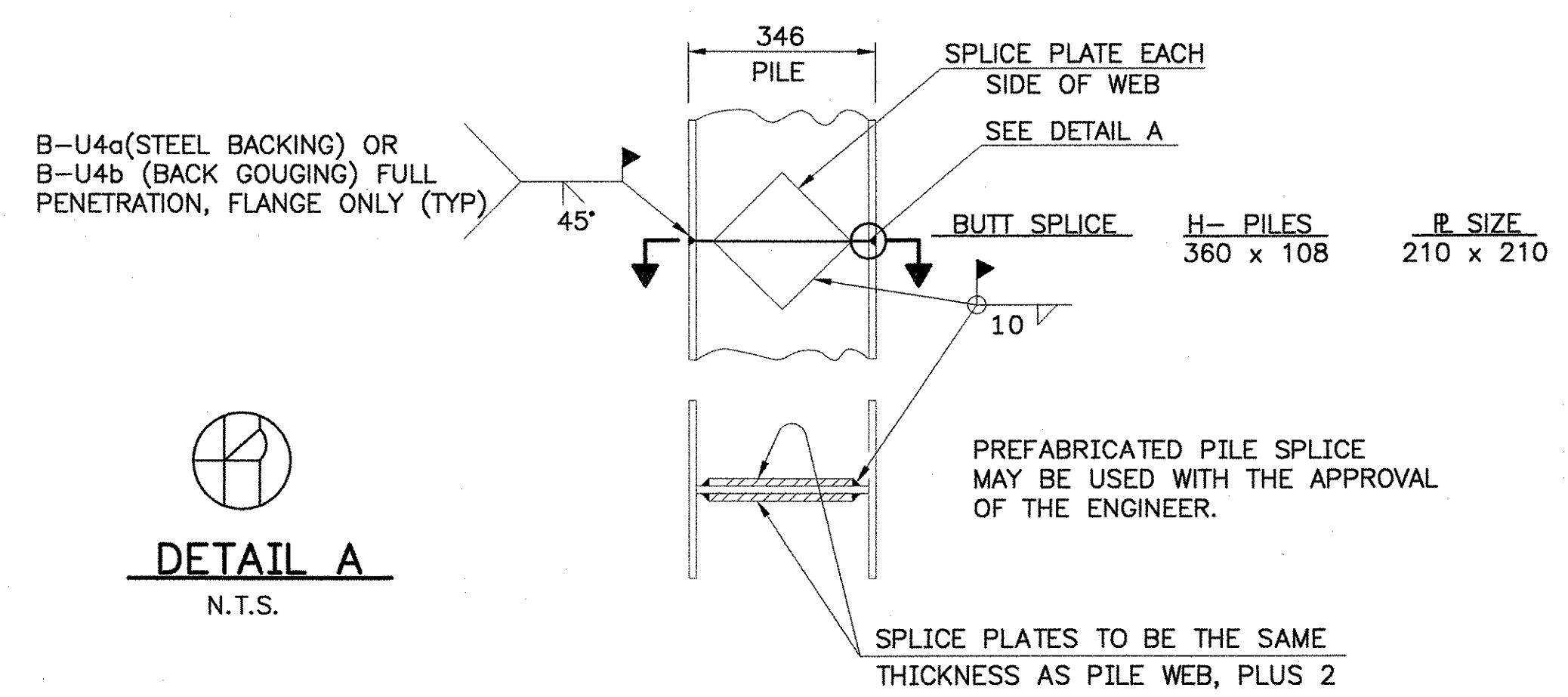
H-PILE LAYOUT PIER
SCALE 1:50



H-PILE LAYOUT ABUTMENT NO. 2
SCALE 1:50

PILE NOTES

- PILES UNDER 6 METERS SHALL NOT BE SPLICED.
 - PILE CUT OFF ELEVATION:
ABUTMENT NO. 1 = 169.200
ABUTMENT NO. 2 = 168.500
PIER = 162.600
 - SEE SHEET 63 FOR GENERAL PILE NOTES.
- INDICATES VERTICAL HP360x108 PILE W/ REINF. TIP DRIVEN TO LEDGE. ALLOWABLE LOAD PER PILE = 858 kN. REQUIRED ULTIMATE CAPACITY = 1930 kN PER PILE
 - INDICATES PILE BATTERED AT 2 ON 12
 - INDICATES PILE BATTERED AT 3 ON 12



DETAIL A
N.T.S.

DETAIL OF PILE SPLICE
N.T.S.

**STATE OF VERMONT
AGENCY OF TRANSPORTATION**

Town Of	JAMAICA	Bridge No.	80
Highway No.	VT. ROUTE 100	Log Sta.	
		Surv. Sta.	
VT. ROUTE 100 OVER THE WEST RIVER			
PILE LAYOUT			
Designed By	JH	Drawn By.	MWS
Checked By	Date	Bridge Design Supervisor	
LMM	2/02	LMM	Date 2/02
PROJECT	JAMAICA	PROJECT NO.	BRF 013-1(8)
I.G.C. Info.			
Bridge Sheet No.		Sheet	93 Of 116

540 Commercial St.
Manchester, NH 03101
PH: (603) 668-8223
FAX: (603) 668-8802
E-MAIL: CLD@CLDENGINEERS.COM