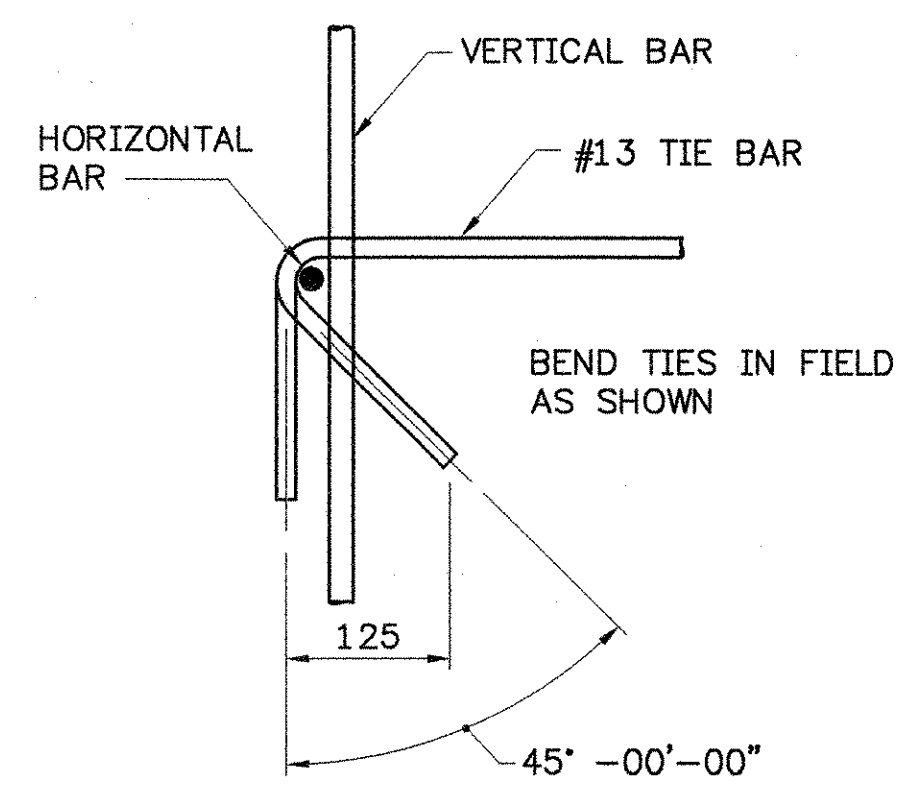
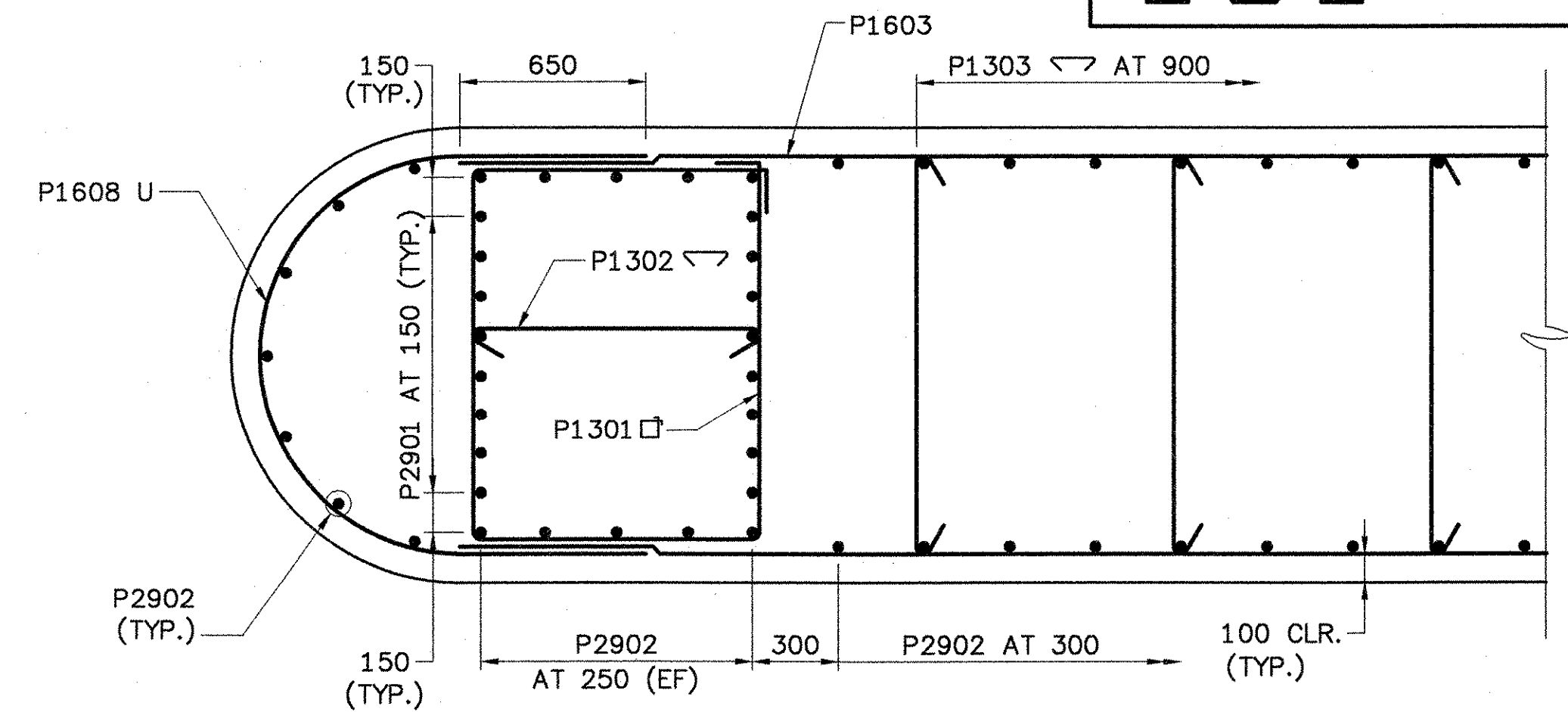


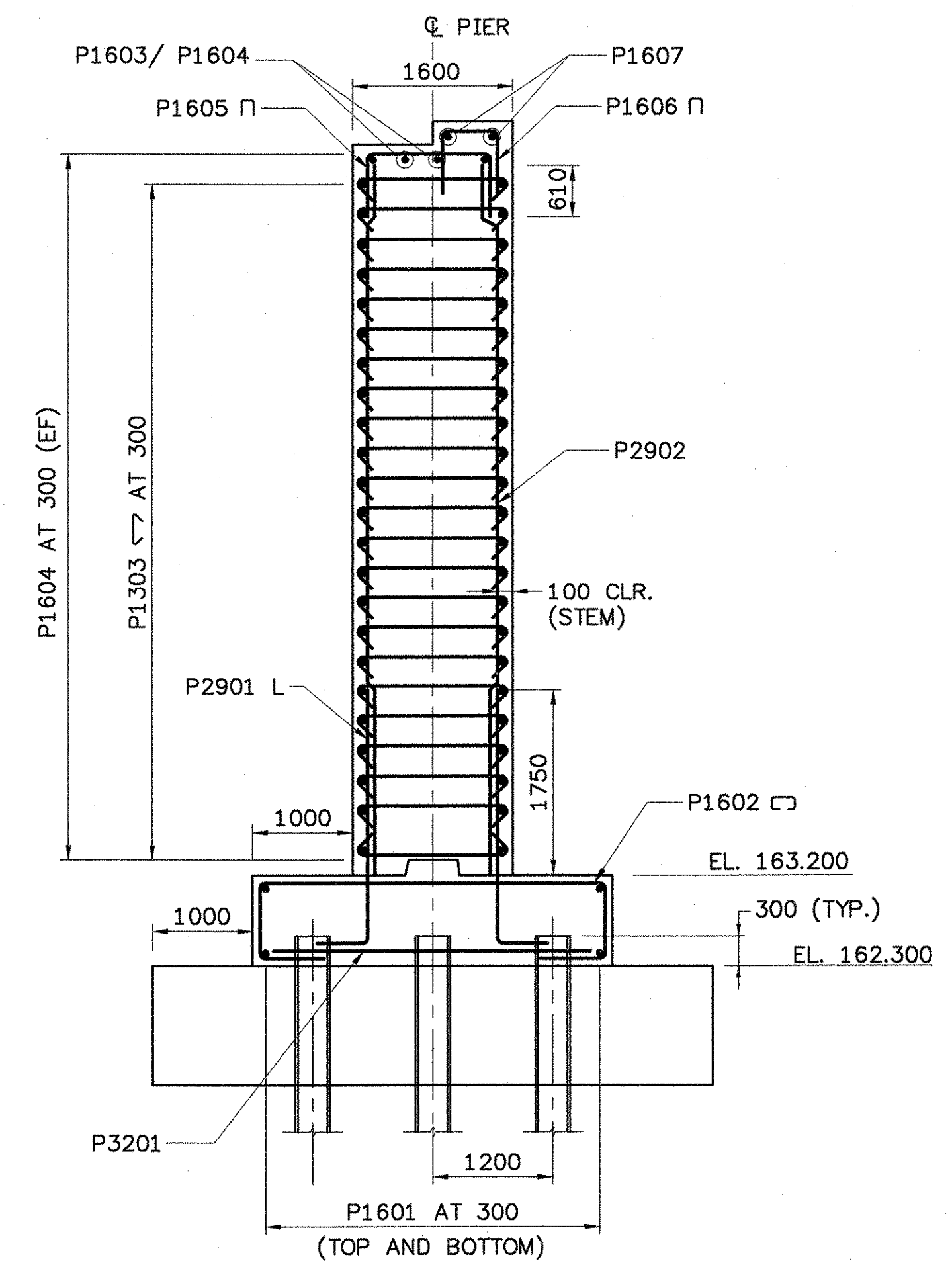
PIER PLAN
SCALE 1:50



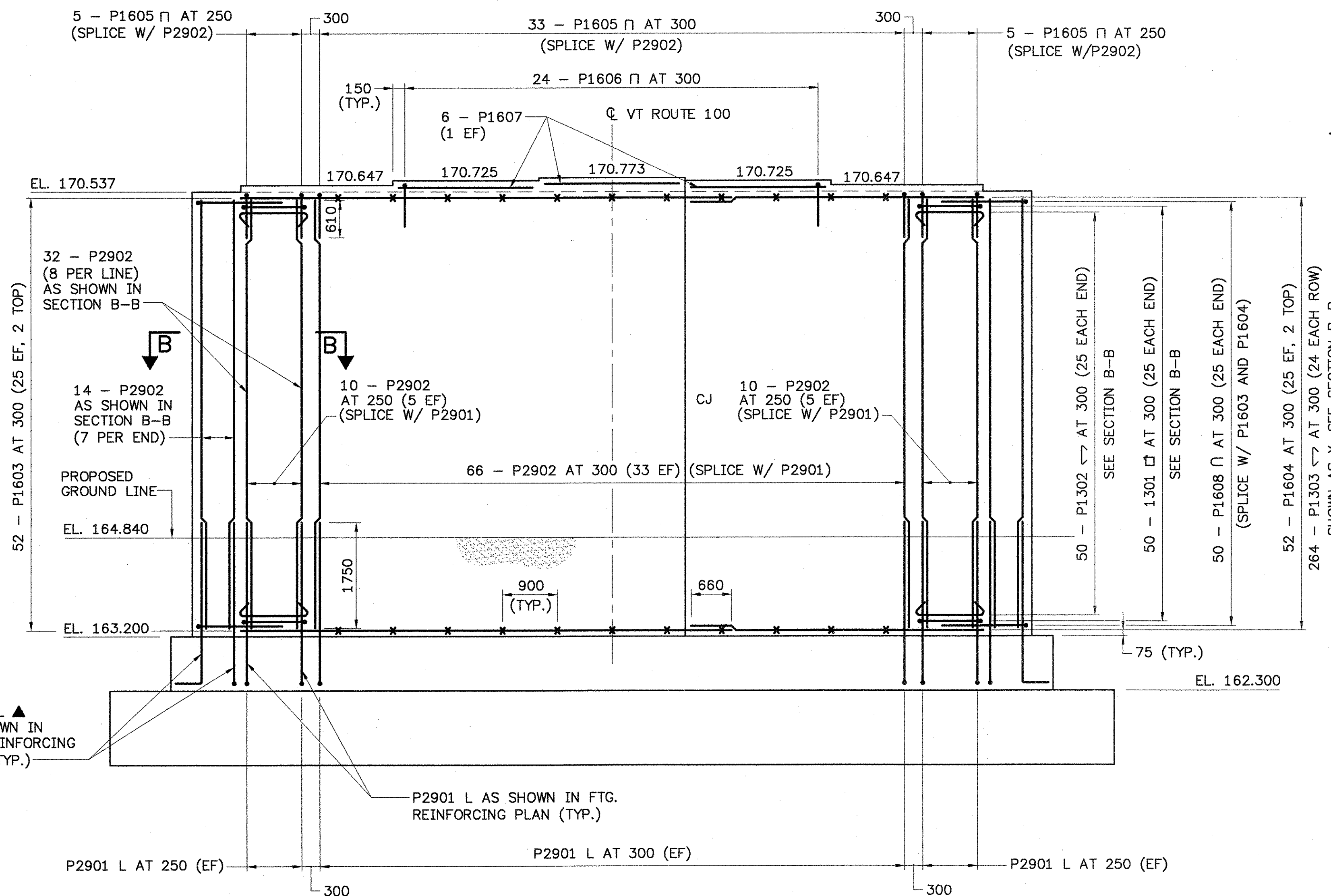
TYPICAL TIE BAR DETAIL
SCALE: 1:5



SECTION B-B
SCALE 1:20



PIER SECTION A-A
SCALE 1:50



PIER ELEVATION
SCALE 1:50

NOTE

- NF = NEAR FACE
- FF = FAR FACE
- EF = EACH FACE
- ▲ = FIELD CUT
- * = LATERAL TIE

STATE OF VERMONT
AGENCY OF TRANSPORTATION

Town Of	JAMAICA	Bridge No.	80
Highway No.	VT. ROUTE 100	Log Sta.	
VT. ROUTE 100 OVER THE WEST RIVER		Surv. Sta.	
PIER DETAILS			
Designed By	JH	Drawn By	MWS
Checked By	RMR	Bridge Design Supervisor	LMM
	Date 2/02	Date	2/02
PROJECT	JAMAICA	PROJECT NO.	BRF 013-1(8)
I.C.C. Info.			
Bridge Sheet No.		Sheet	91 Of 116



540 Commercial St.
Manchester, NH 03101
PH: (603) 668-8223
FAX: (603) 668-8802