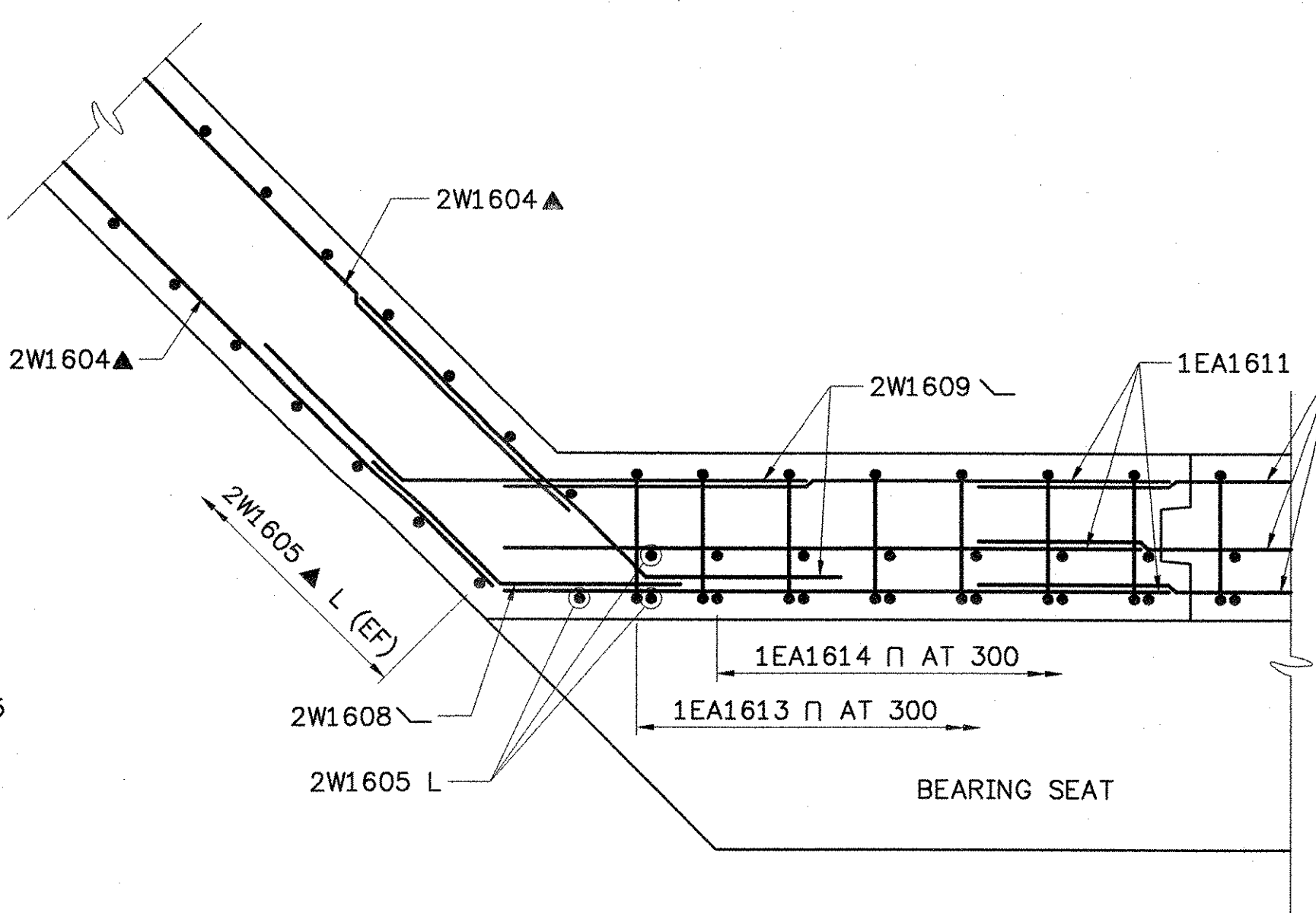
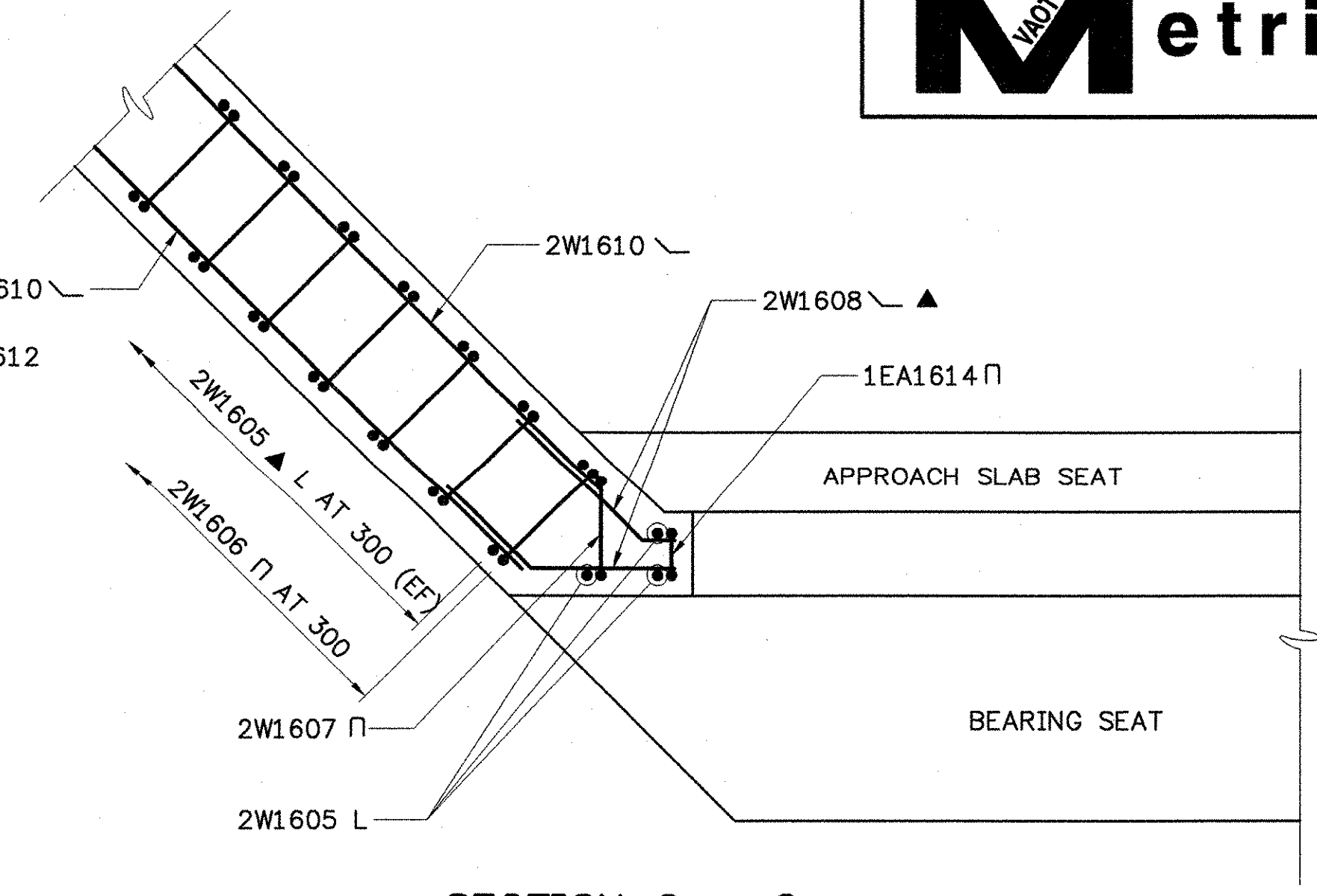


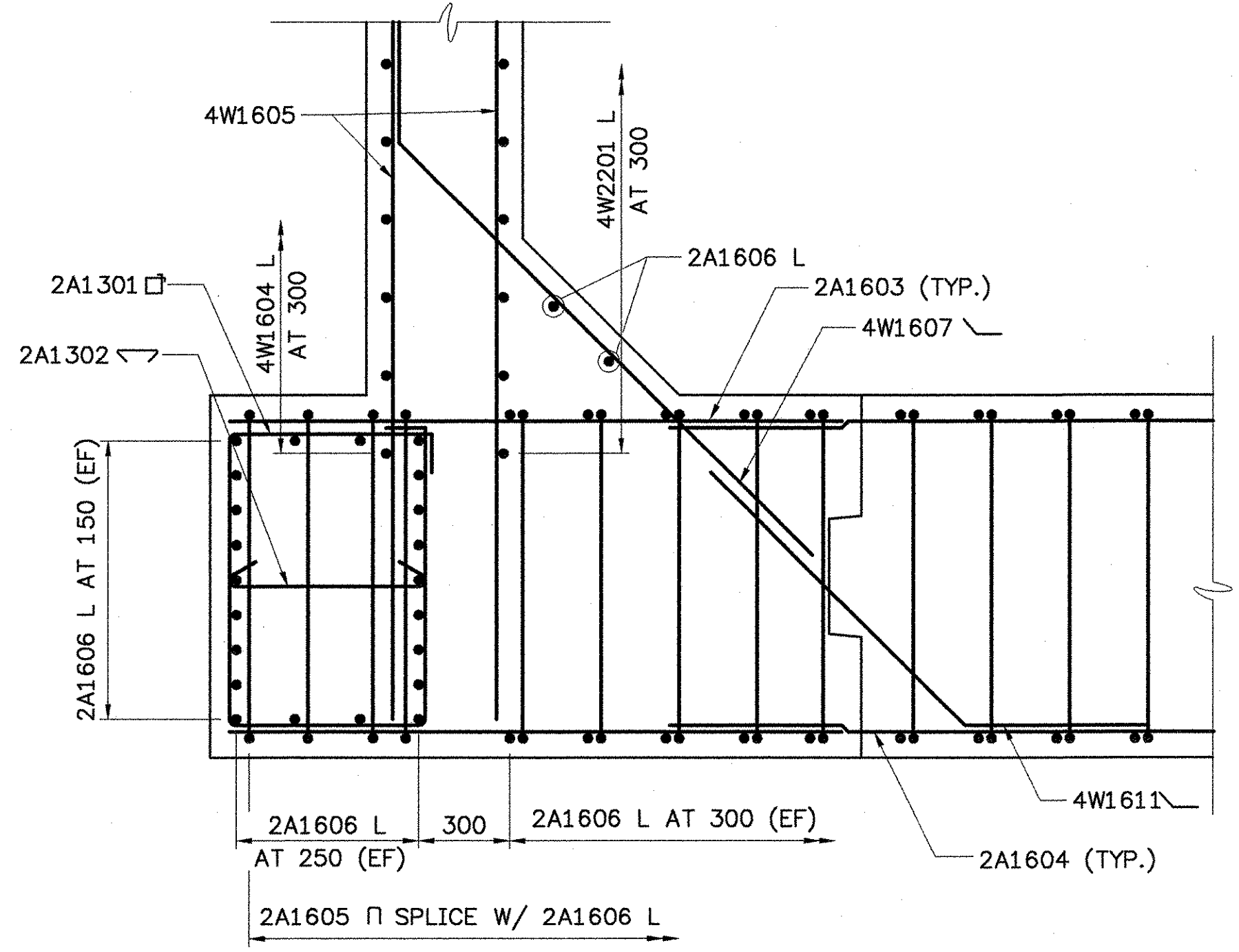
SECTION A - A
(ABUTMENT NO. 1, WINGWALL NO.2
THROUGH BEARING SEAT)
SCALE 1:20



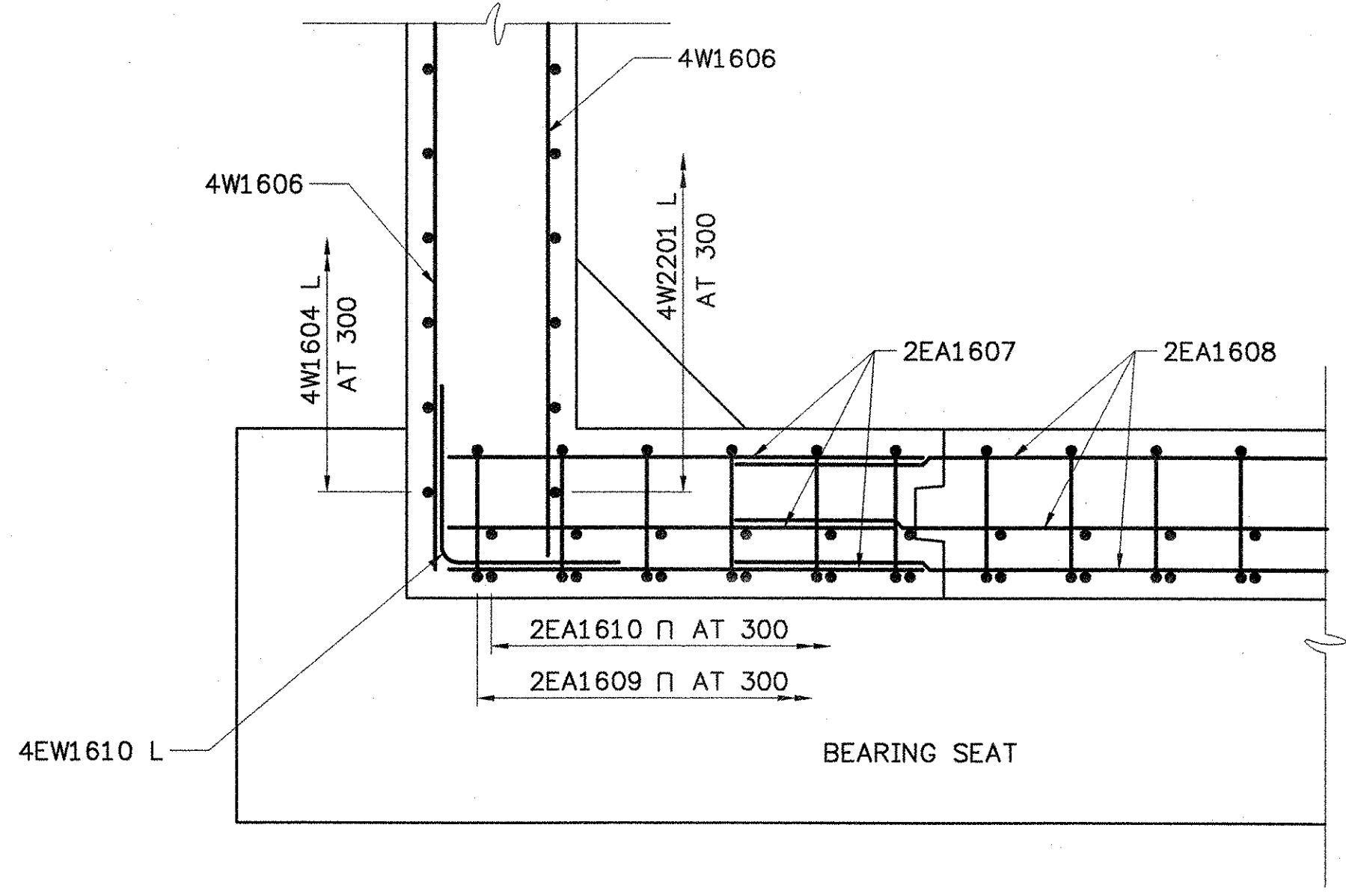
SECTION B - B
(ABUTMENT NO. 1, WINGWALL NO.2
THROUGH APPROACH SLAB SEAT)
SCALE 1:20



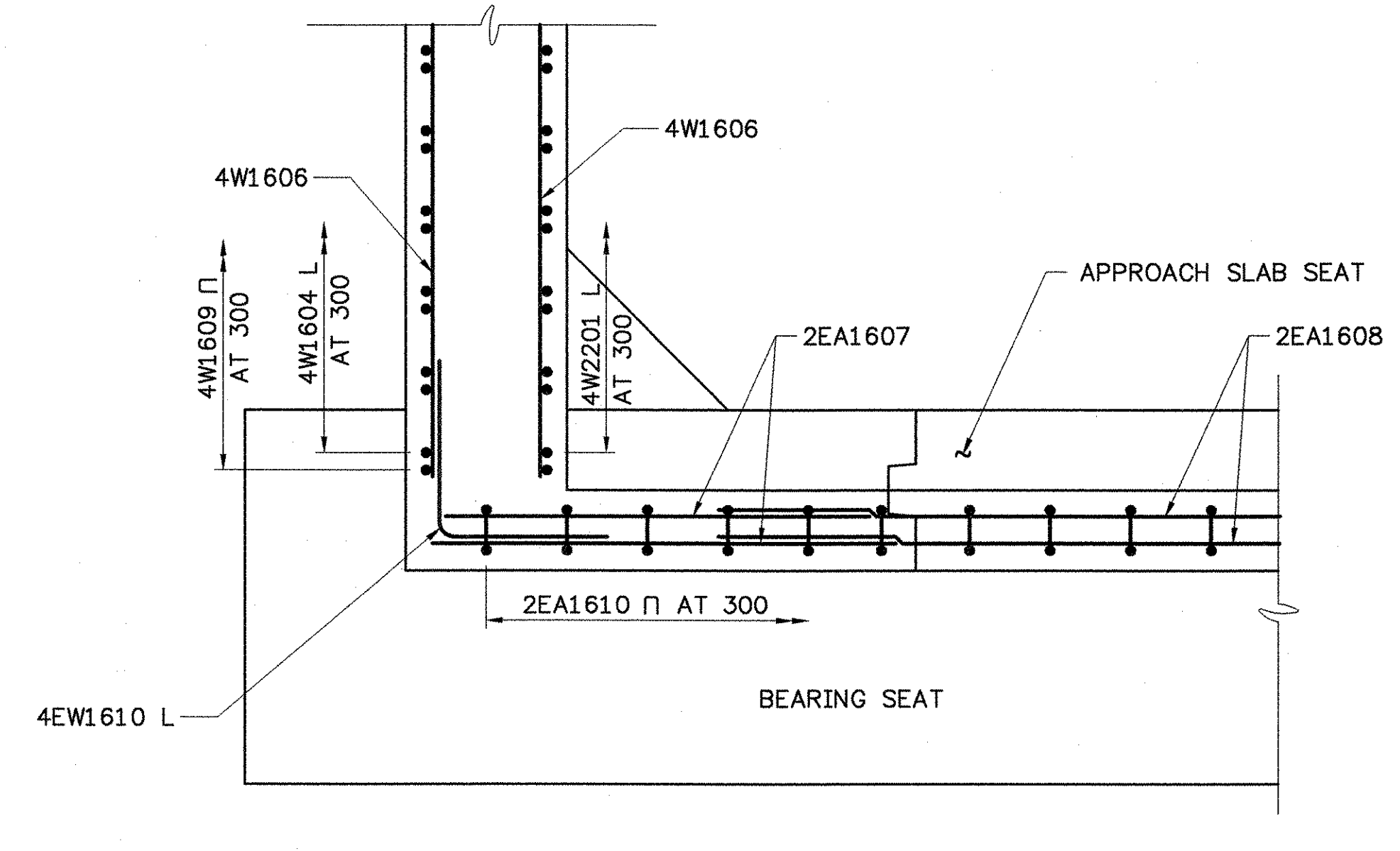
SECTION C - C
(ABUTMENT NO. 1, WINGWALL NO.2
TOP OF WING WALL)
SCALE 1:20



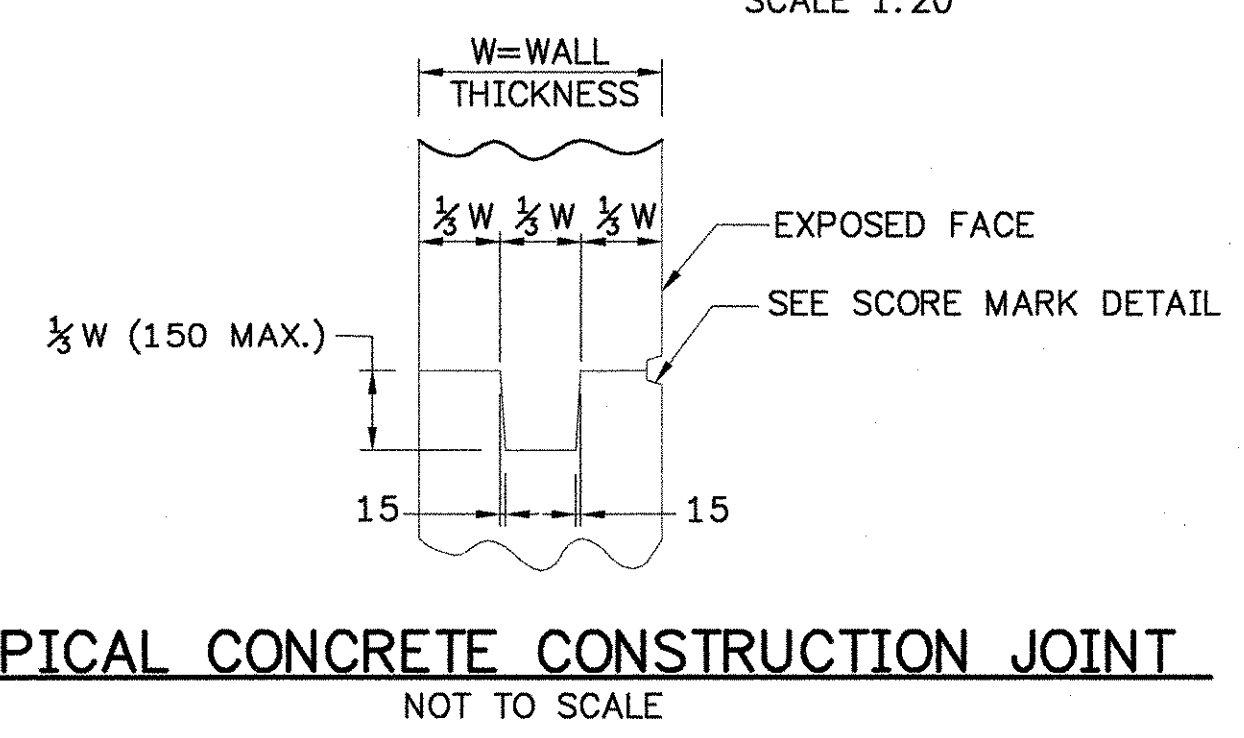
SECTION D - D
(ABUTMENT NO. 2, WINGWALL NO.4
THROUGH BEARING SEAT)
SCALE 1:20



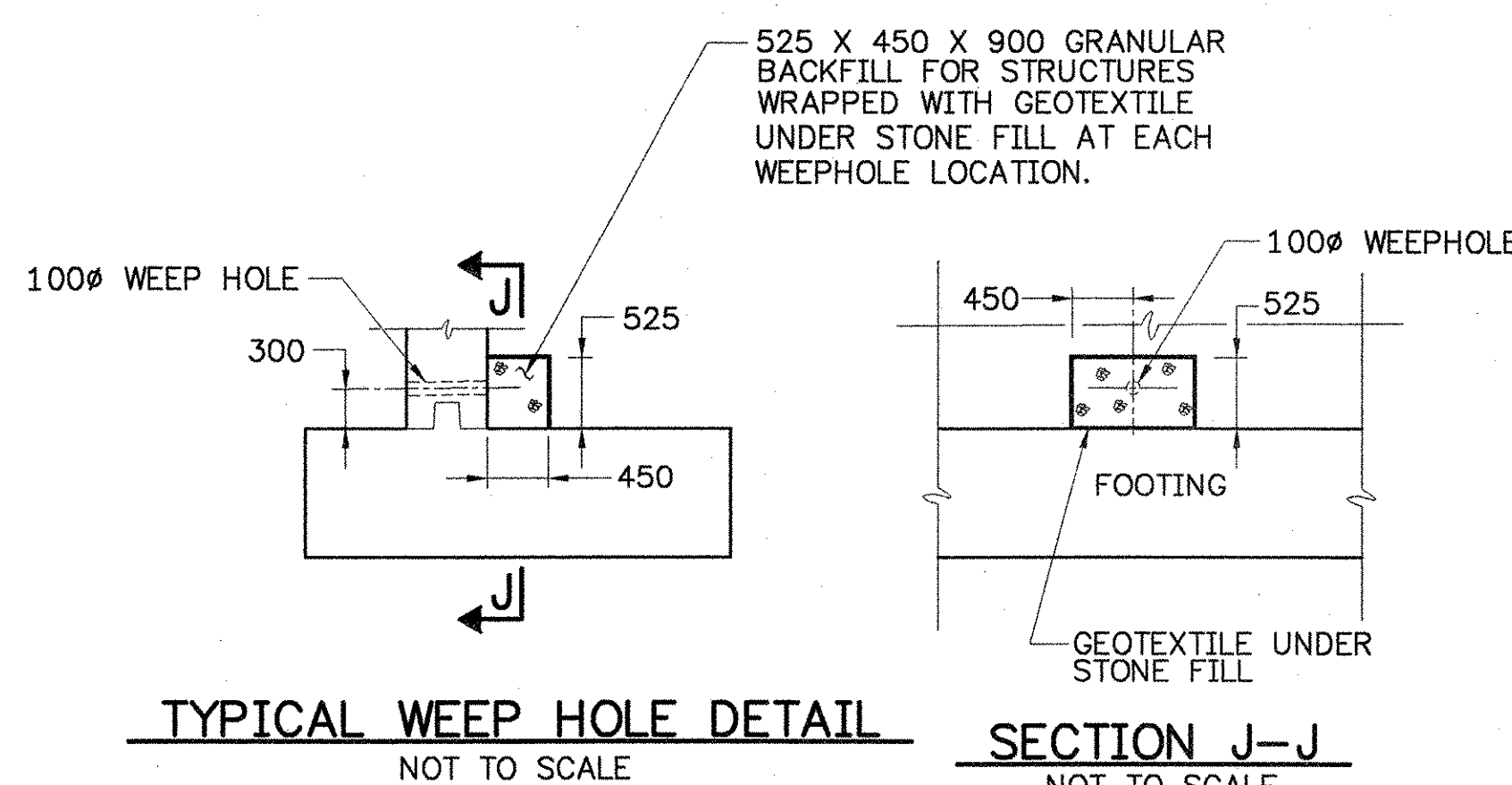
SECTION E - E
(ABUTMENT NO. 2, WINGWALL NO.4
THROUGH APPROACH SLAB SEAT)
SCALE 1:20



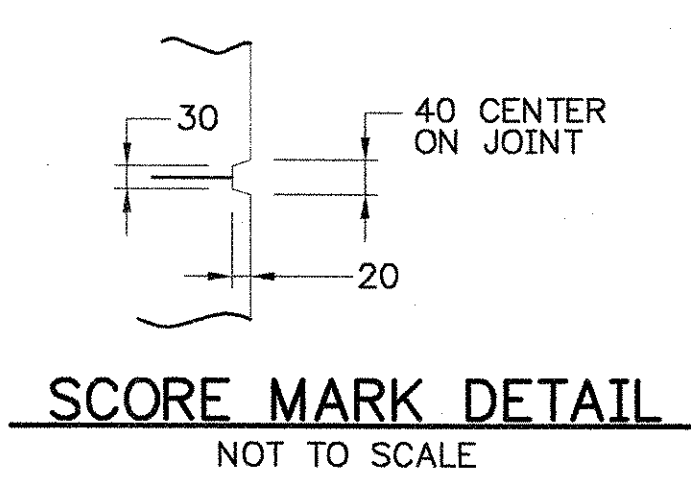
SECTION F - F
(ABUTMENT NO. 2, WINGWALL NO.4
TOP OF WING WALL)
SCALE 1:20



TYPICAL CONCRETE CONSTRUCTION JOINT
NOT TO SCALE



TYPICAL WEEP HOLE DETAIL
NOT TO SCALE



SCORE MARK DETAIL
NOT TO SCALE

NOTE
NF = NEAR FACE
FF = FAR FACE
EF = EACH FACE
▲ = FIELD CUT

STATE OF VERMONT AGENCY OF TRANSPORTATION			
Town Of	JAMAICA	Bridge No.	80
Highway No.	VT. ROUTE 100	Log Sta.	
		Surv. Sta.	
VT. ROUTE 100 OVER THE WEST RIVER			
SUBSTRUCTURE DETAILS			
Designed By	JH	Drawn By	MWS
Checked By	LMM	Bridge Design Supervisor	LMM
Date	2/02	Date	2/02
PROJECT	JAMAICA	PROJECT NO.	BRF 013-1(8)
I.G.C. Info.			
Bridge Sheet No.		Sheet	90 Of 116

540 Commercial St.
Manchester, NH 03101
PH: (603) 668-8223
FAX: (603) 668-8802
E-MAIL: CLD@CLDENGINERS.COM

NOTE:
WHERE "CONSTRUCTION JOINT" IS DESIGNATED ON THE DRAWINGS, PROVIDE A CONSTRUCTION JOINT AND SCORE MARK. WHERE "SCORE MARK" IS DESIGNATED ON THE DRAWINGS, PROVIDE A SCORE MARK WITHOUT CONSTRUCTION JOINT, FOR RUSTICATION ONLY.

*NOTE: THIS WILL BE PAID FOR UNDER THE ITEMS "GRANULAR BACKFILL FOR STRUCTURES" AND "GEOTEXTILE UNDER STONE FILL".