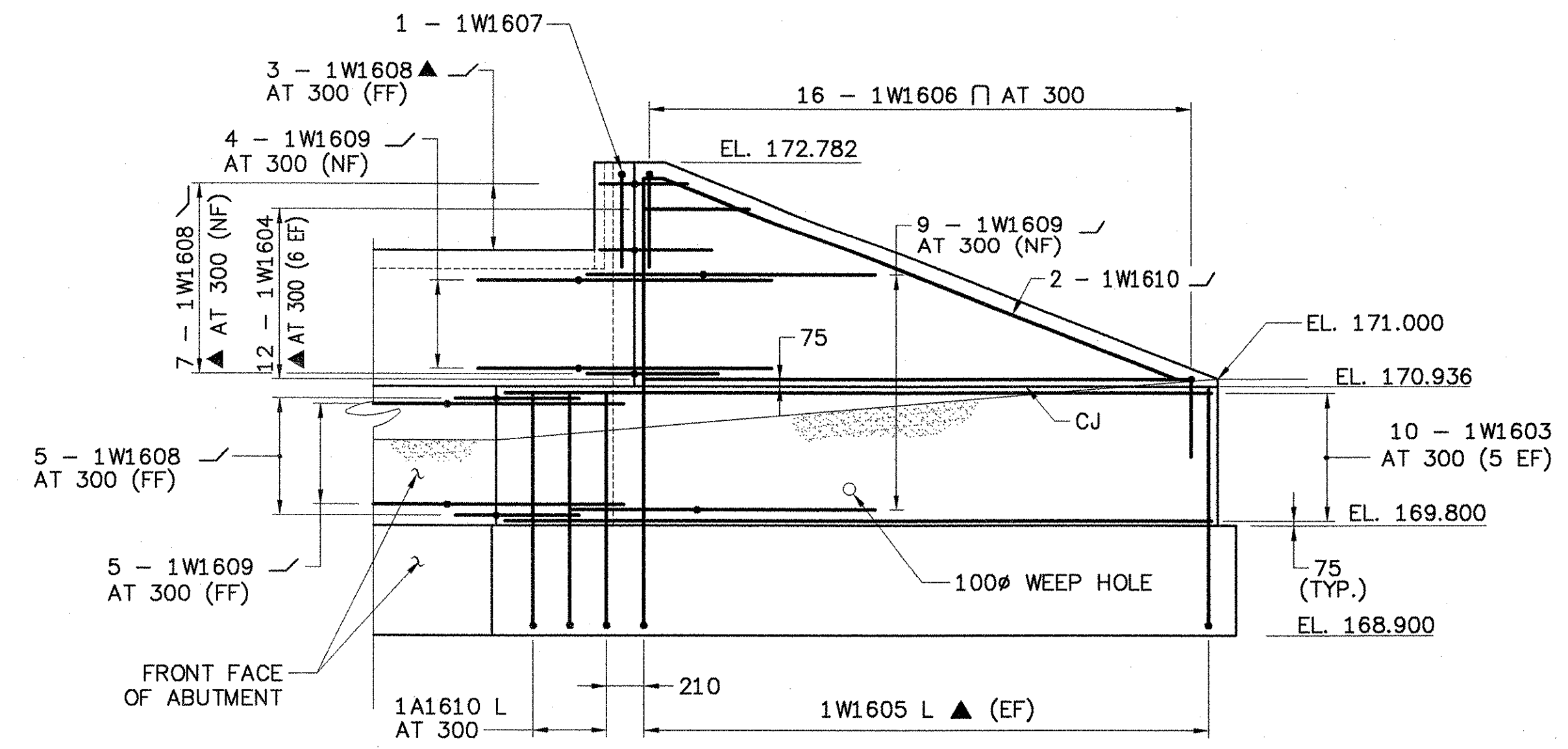


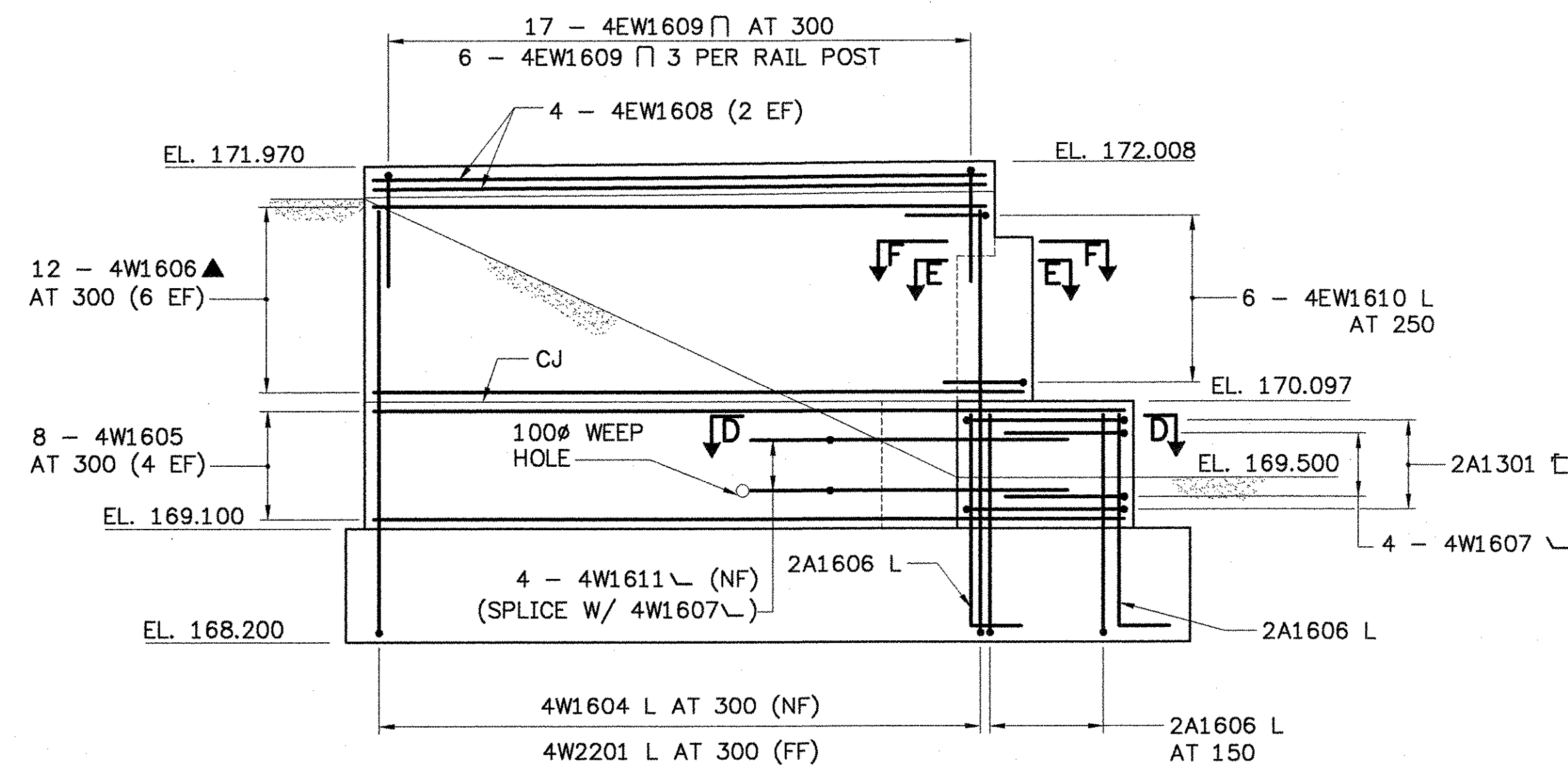
WINGWALL NO. 2 ELEVATION

SCALE 1:40



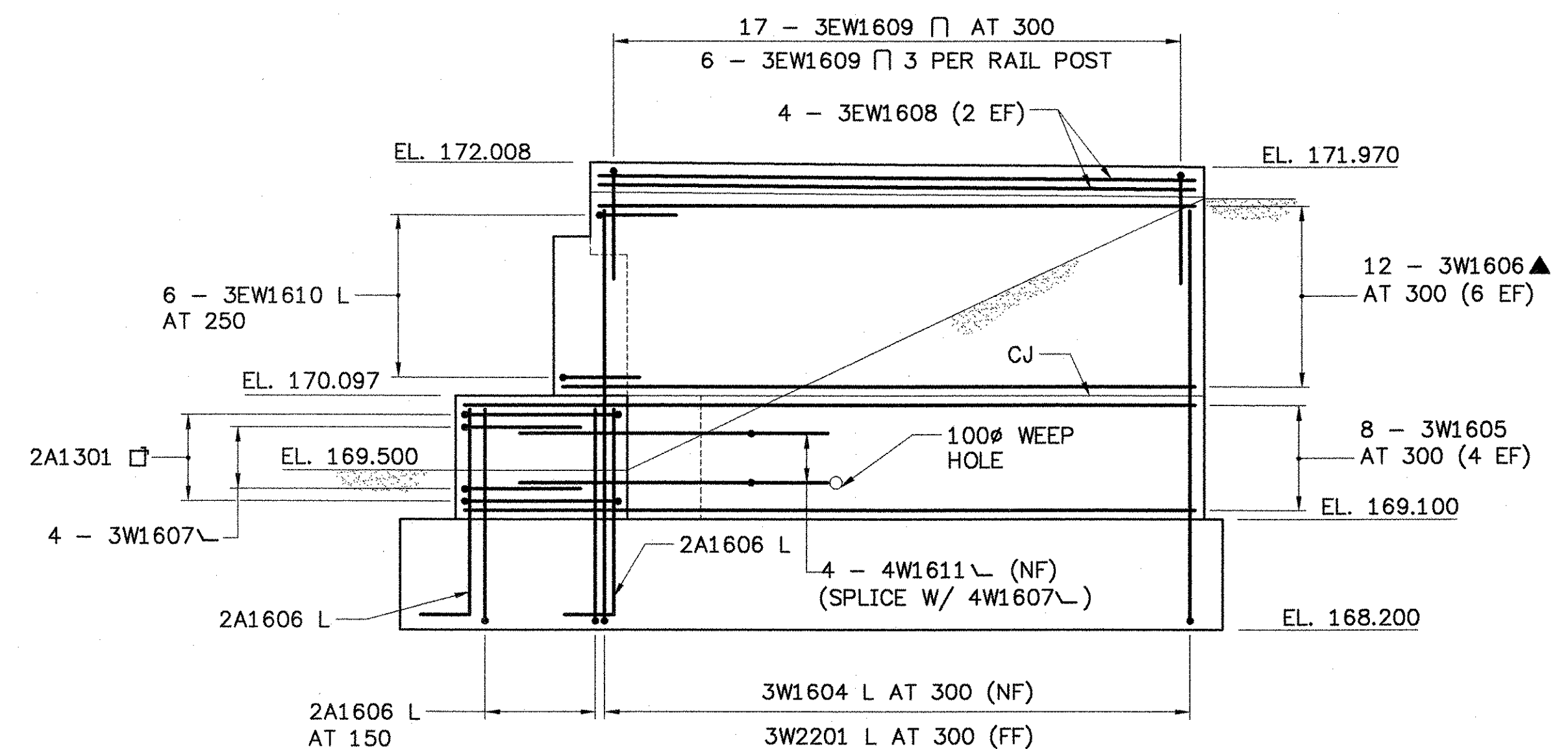
WINGWALL NO. 1 ELEVATION

SCALE 1:40



WINGWALL NO. 4 ELEVATION

SCALE 1:40



WINGWALL NO. 3 ELEVATION

SCALE 1:40

NOTE

- NF = NEAR FACE
- FF = FAR FACE
- EF = EACH FACE
- \blacktriangle = FIELD CUT

**STATE OF VERMONT
 AGENCY OF TRANSPORTATION**

Town Of	JAMAICA	Bridge No.	80
Highway No.	VT. ROUTE 100	Log Sta.	
VT. ROUTE 100 OVER THE WEST RIVER		Surv. Sta.	
WINGWALL ELEVATION			
Designed By	JH	Drawn By	MWS
Checked By	LMM	Date	2/02
PROJECT		Bridge Design Supervisor	LMM
JAMAICA		Date	2/02
I.G.C. Info.		PROJECT NO.	BRF 013_1(8)
Bridge Sheet No.		Sheet 89 Of 116	

