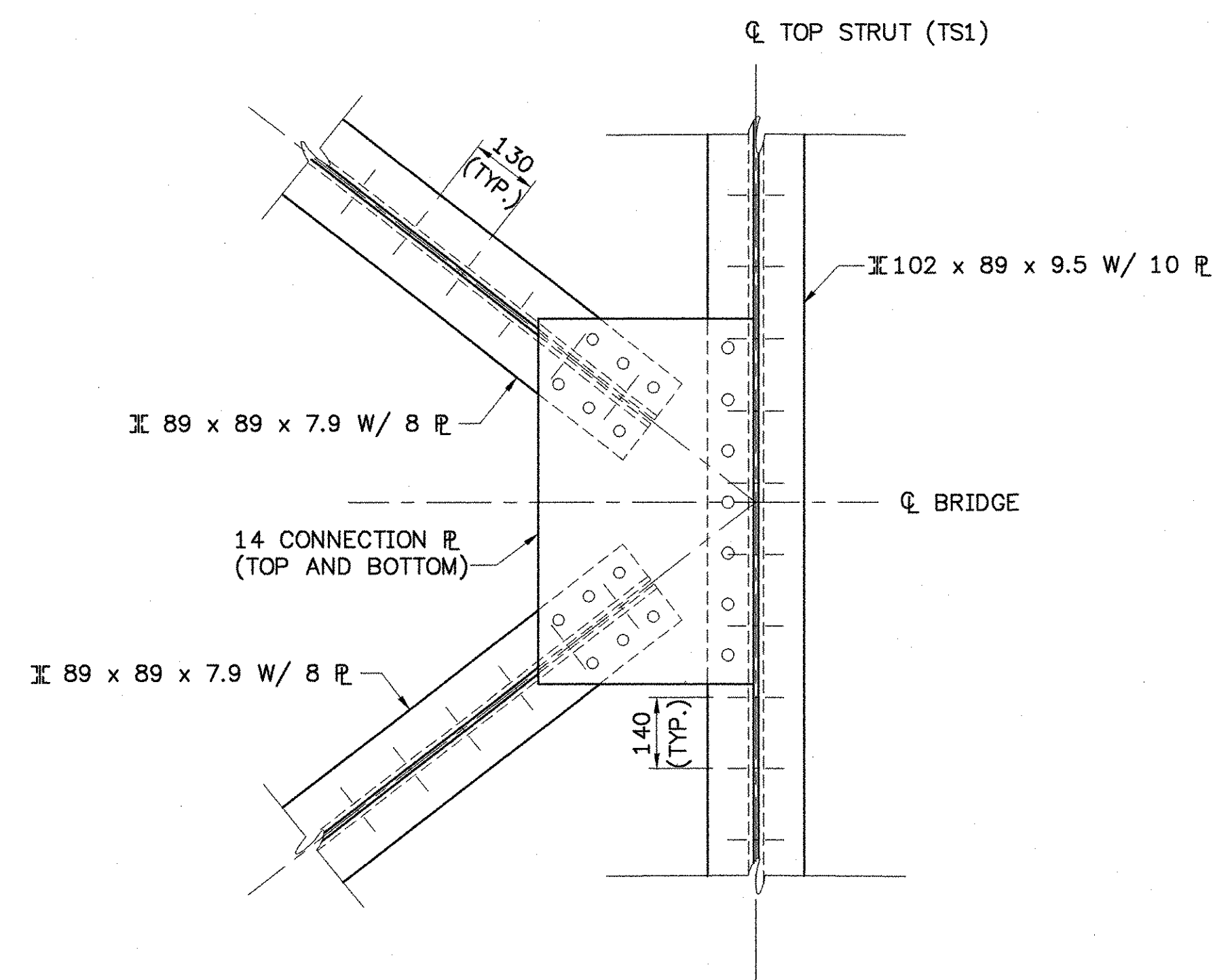
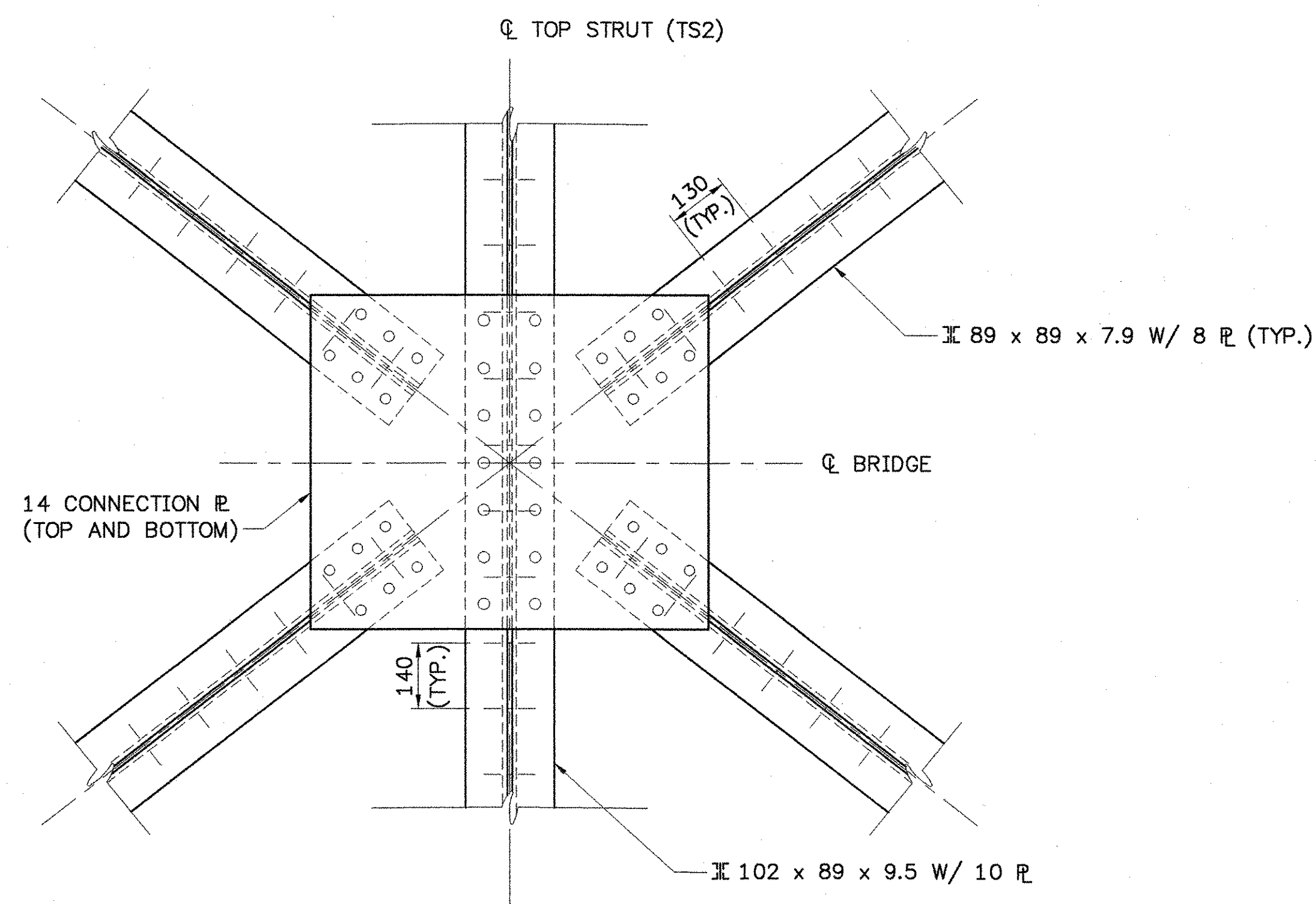


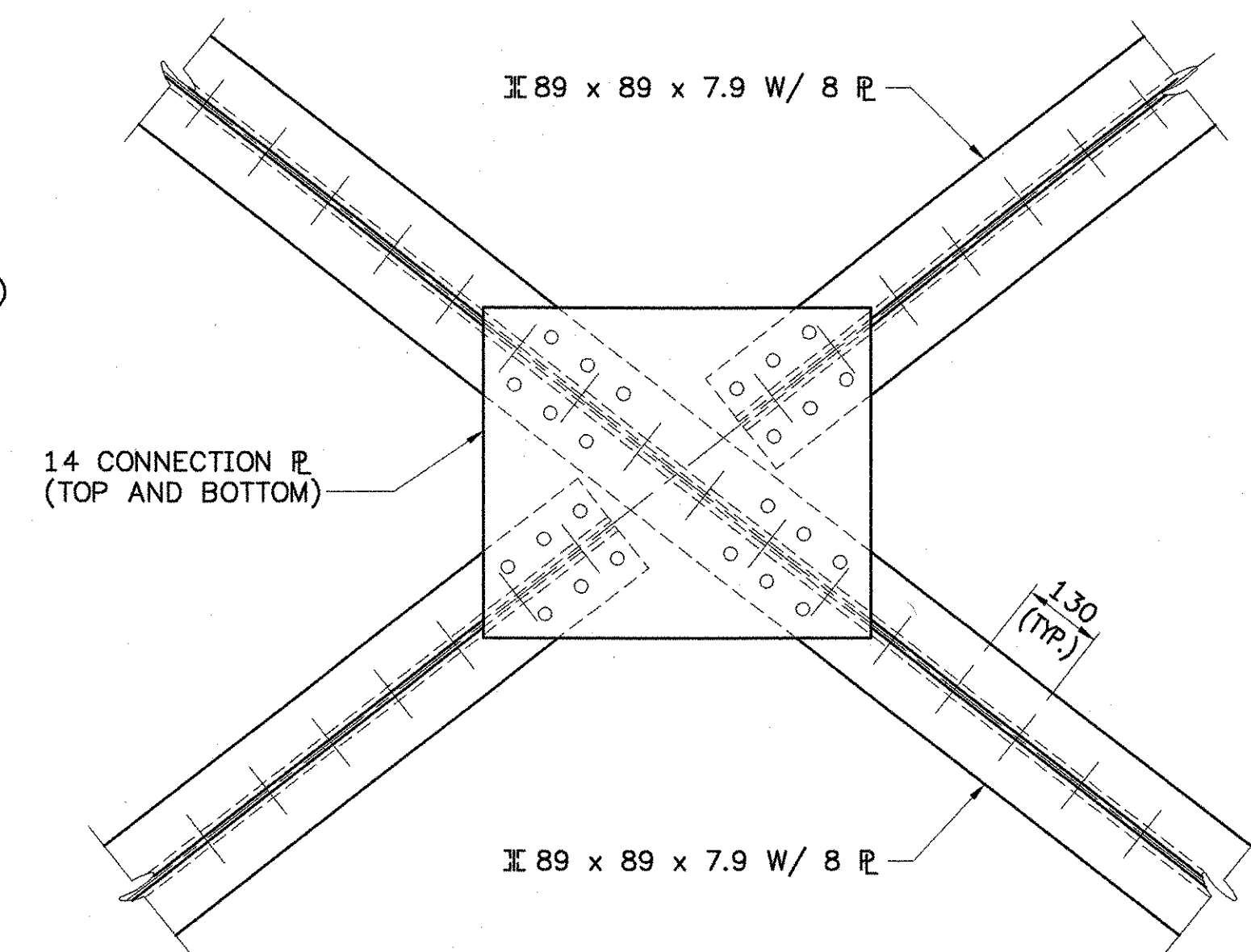
TOP VIEW
SCALE 1:100



DETAIL A
SCALE 1:10



DETAIL B
SCALE 1:10



DETAIL C
SCALE 1:10

NOTE
LLV = LONG LEG VERTICAL
S = STRINGER
FB = FLOOR BEAM

STATE OF VERMONT AGENCY OF TRANSPORTATION			
Town Of	JAMAICA	Bridge No.	80
Highway No.	VT. ROUTE 100	Log Sta.	
		Surv. Sta.	
VT. ROUTE 100 OVER THE WEST RIVER TOP LATERALS - TRUSS			
Designed By	LKP	Drawn By	MWS
Checked By	Date	Bridge Design Supervisor	
LMM	2/02	LMM	Date LMM
PROJECT	JAMAICA	PROJECT NO.	BRF 013-1(8)
I.G.C. Info.			
Bridge Sheet No.		Sheet	76 Of 116

