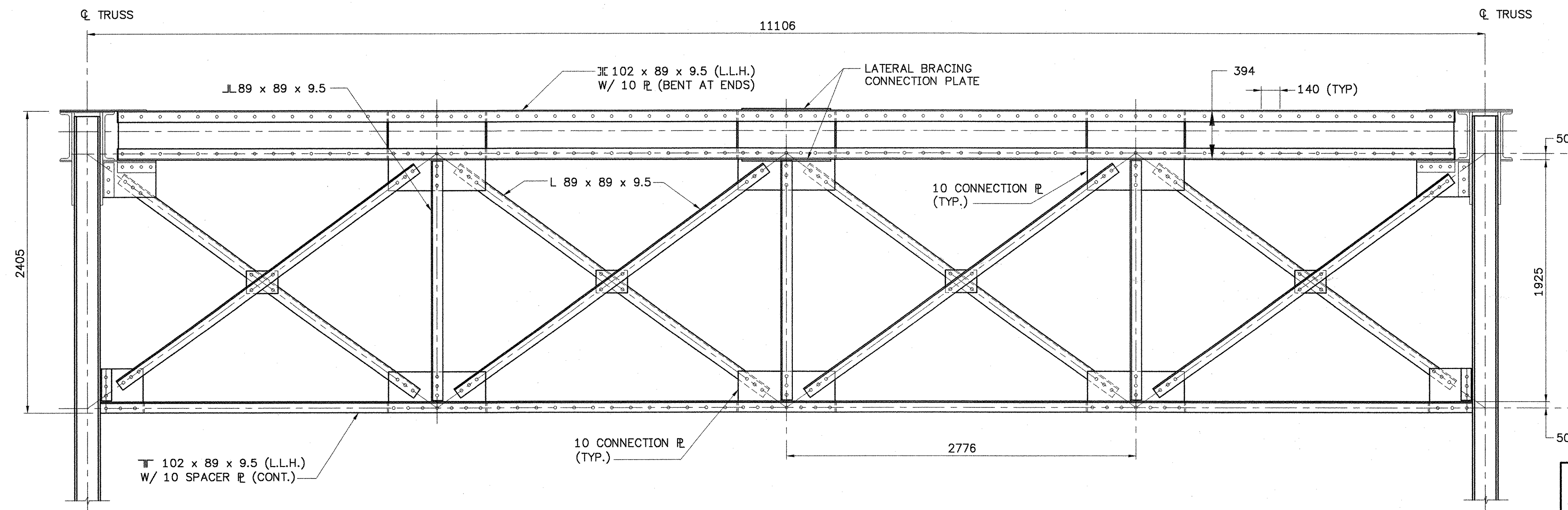


**TOP STRUT 1 AND SWAY BRACING**

SCALE 1:20



**TOP STRUT 2 AND SWAY BRACING**

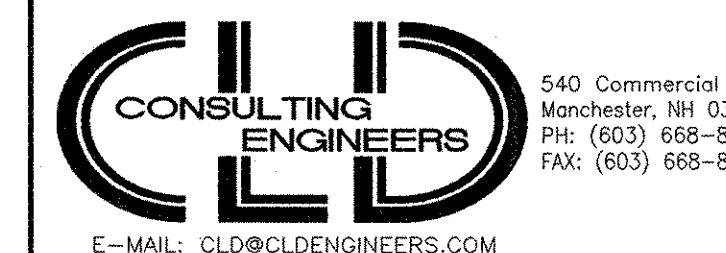
SCALE 1:20

**NOTE**

- N.S. = NEAR SIDE
- F.S. = FAR SIDE
- L.L.V. = LONG LEG VERTICAL
- L.L.H. = LONG LEG HORIZONTAL

**STATE OF VERMONT  
AGENCY OF TRANSPORTATION**

|                                   |                 |                          |             |
|-----------------------------------|-----------------|--------------------------|-------------|
| Town Of                           | JAMAICA         | Bridge No.               | 80          |
| Highway No.                       | VT. ROUTE 100   | Log Sta.                 |             |
|                                   |                 | Surv. Sta.               |             |
| VT. ROUTE 100 OVER THE WEST RIVER |                 |                          |             |
| SWAY BRACING - TRUSS              |                 |                          |             |
| Designed By                       | LKP             | Drawn By.                | MWS         |
| Checked By                        | Date            | Bridge Design Supervisor |             |
| LMM                               | 2/02            | LMM                      | Date 2/02   |
| PROJECT                           | JAMAICA         | PROJECT NO.              | BRF013-1(8) |
| I.G.C. Info.                      |                 |                          |             |
| Bridge Sheet No.                  | Sheet 75 Of 116 |                          |             |



902845WAY (11-2)