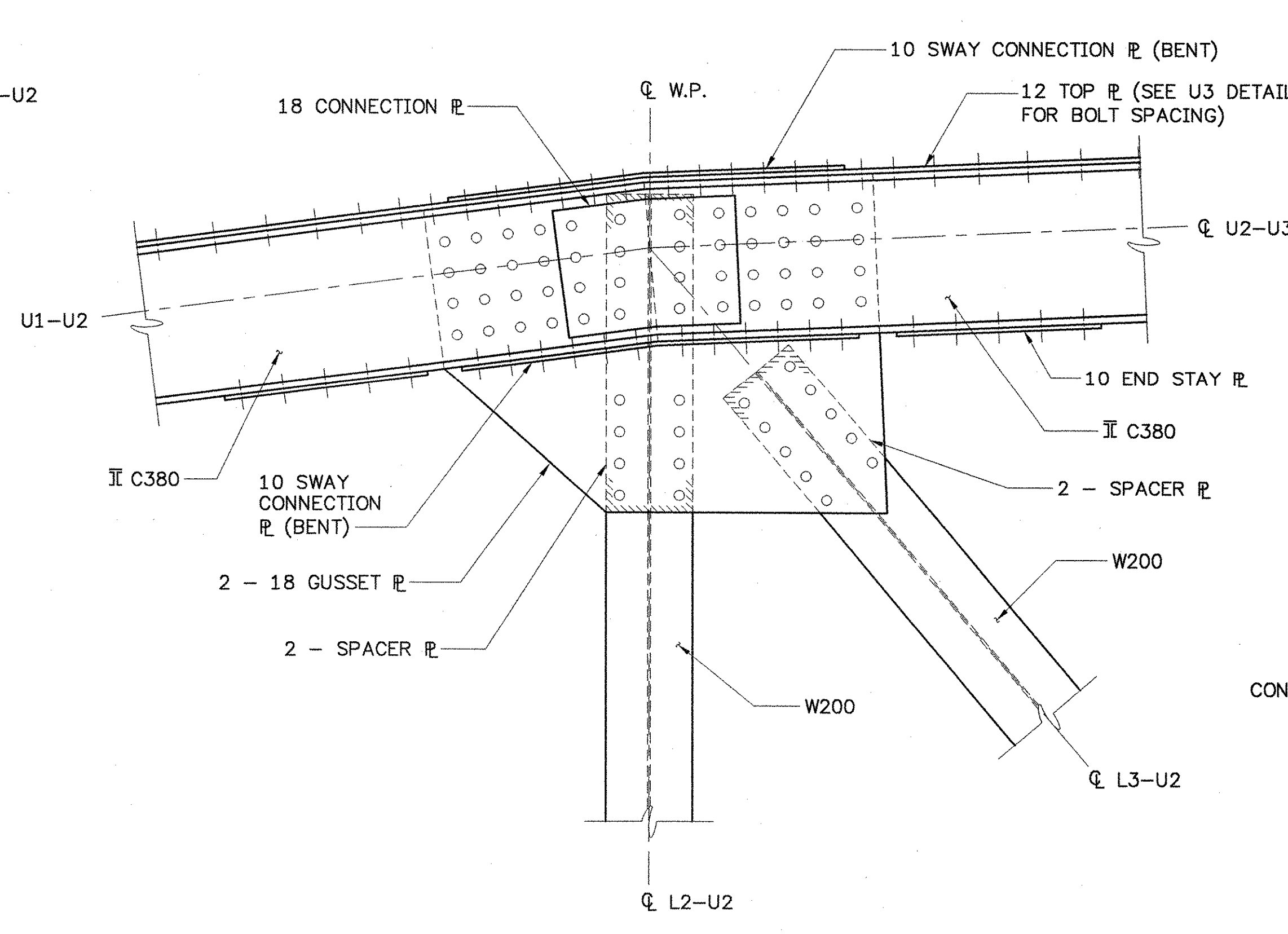
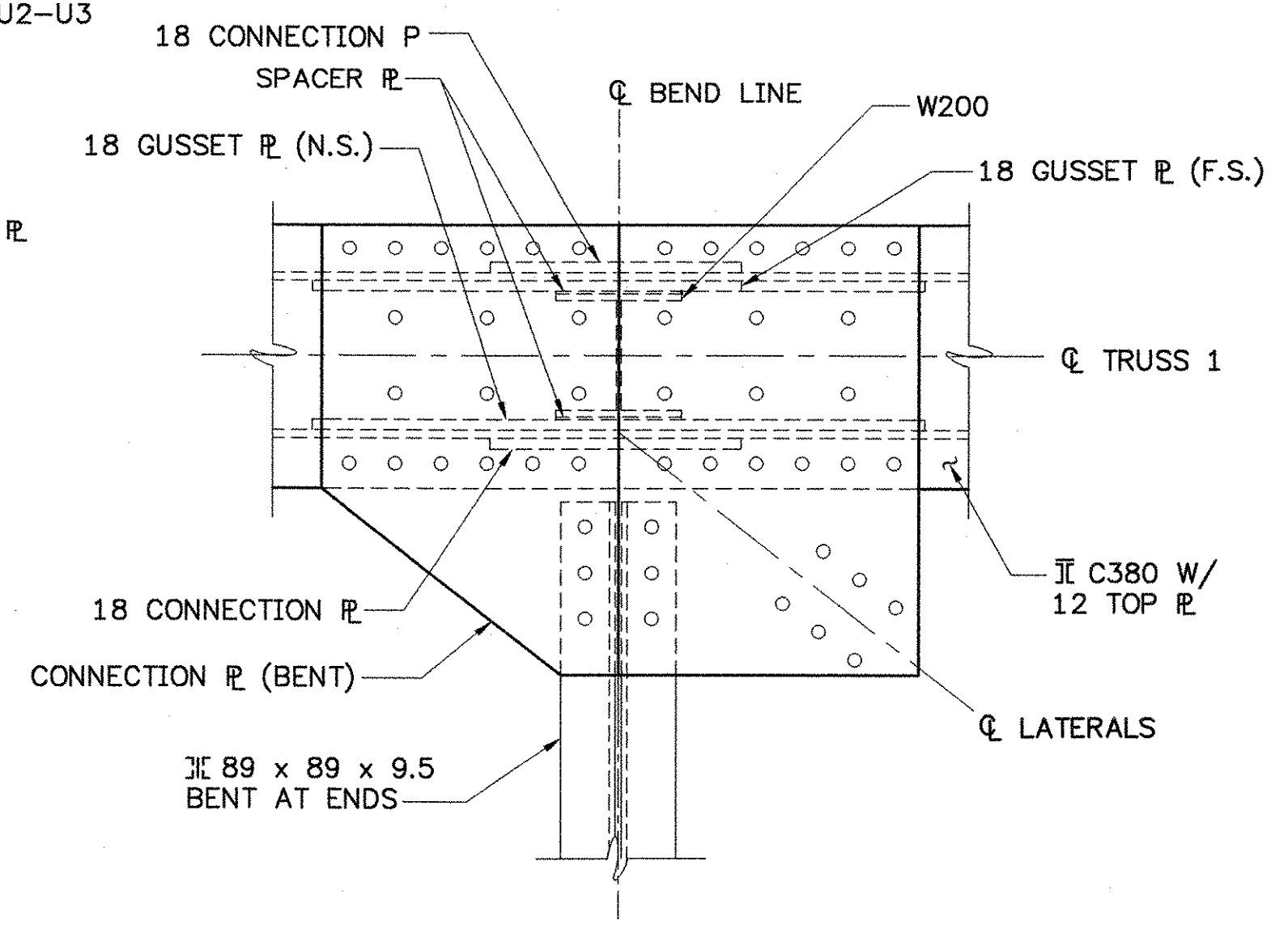


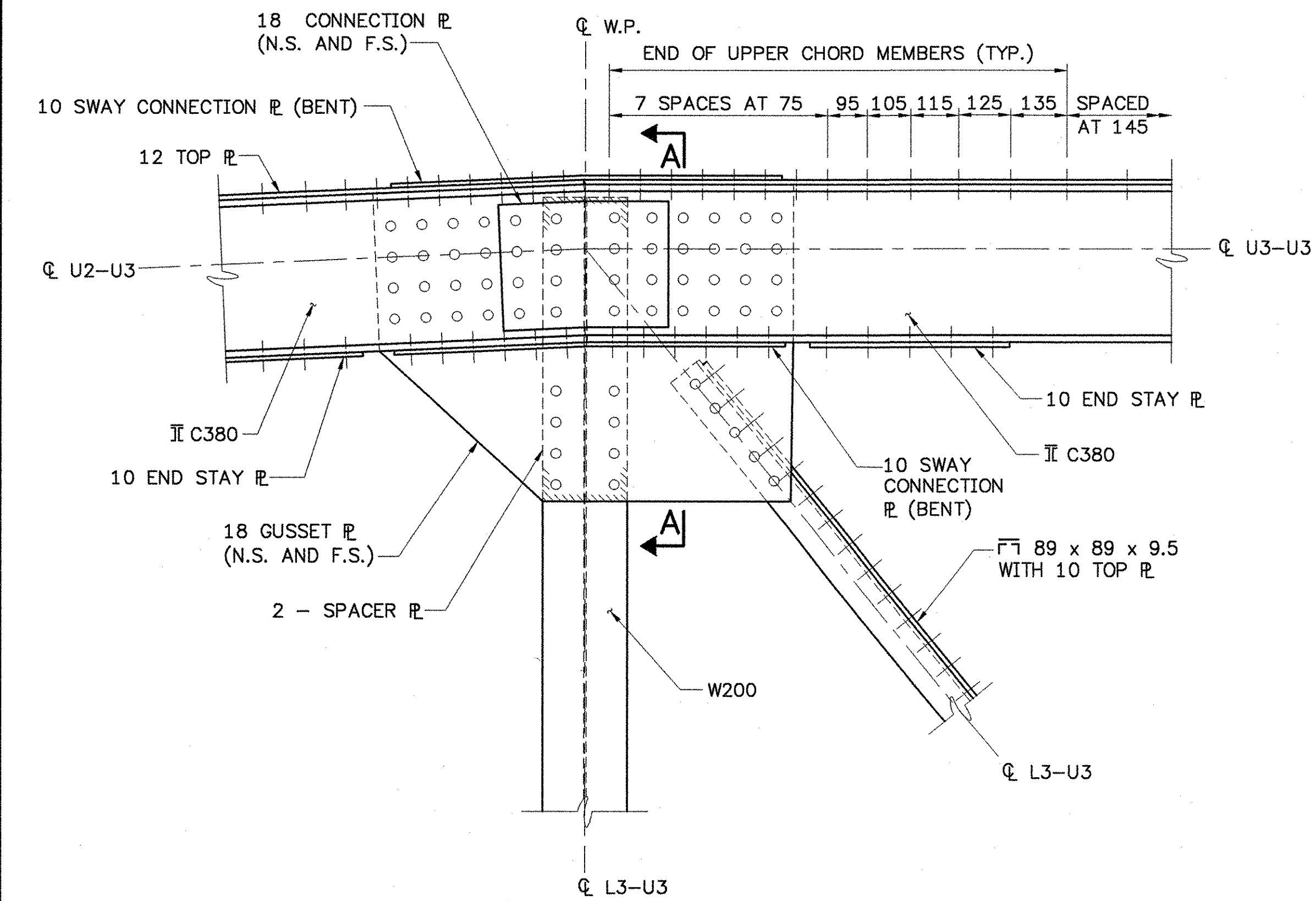
U1 PANEL POINT CONNECTION DETAIL
(TRUSS 1 SHOWN)
SCALE 1:10



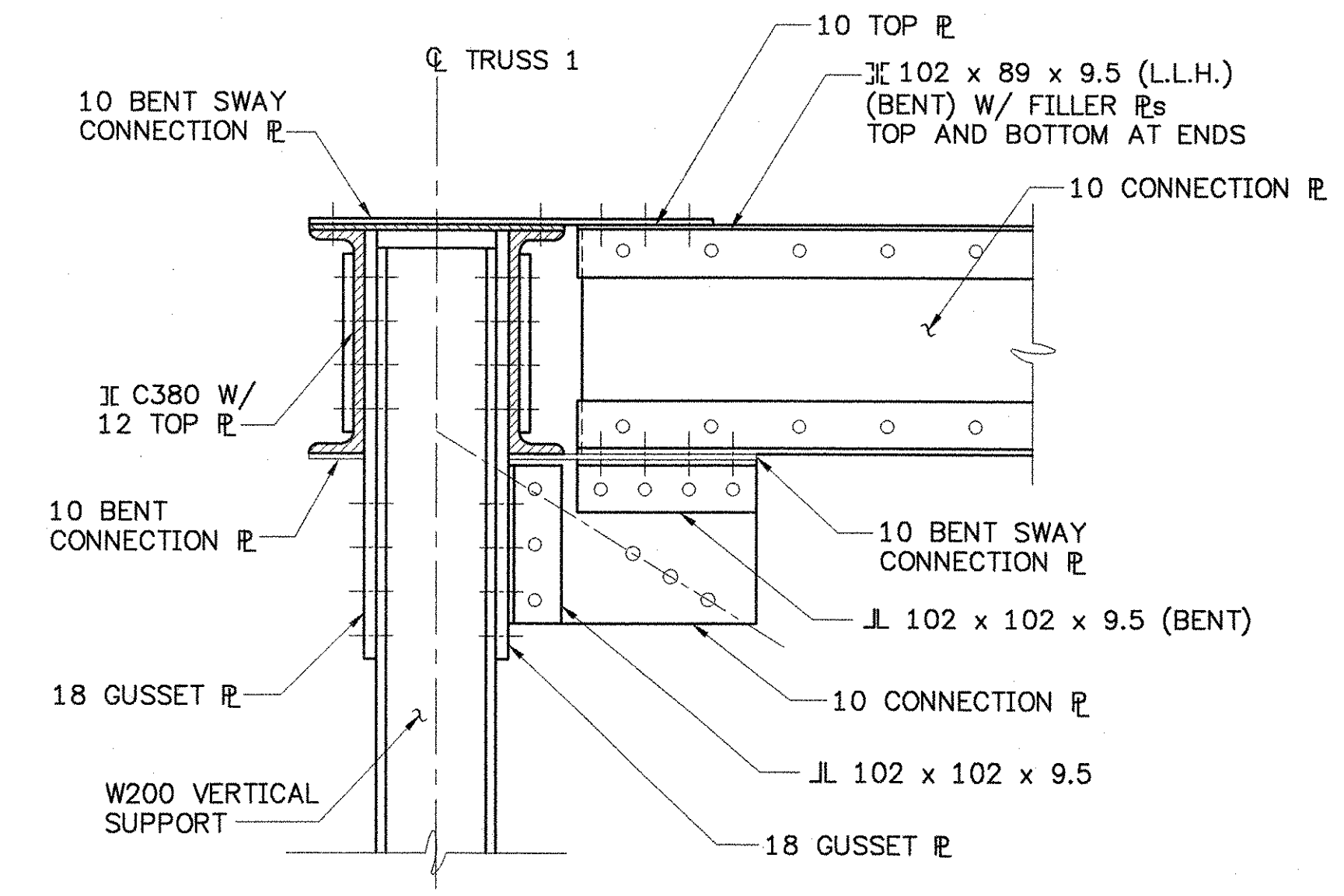
U2 PANEL POINT CONNECTION DETAIL
(TRUSS 1 SHOWN)
SCALE 1:10



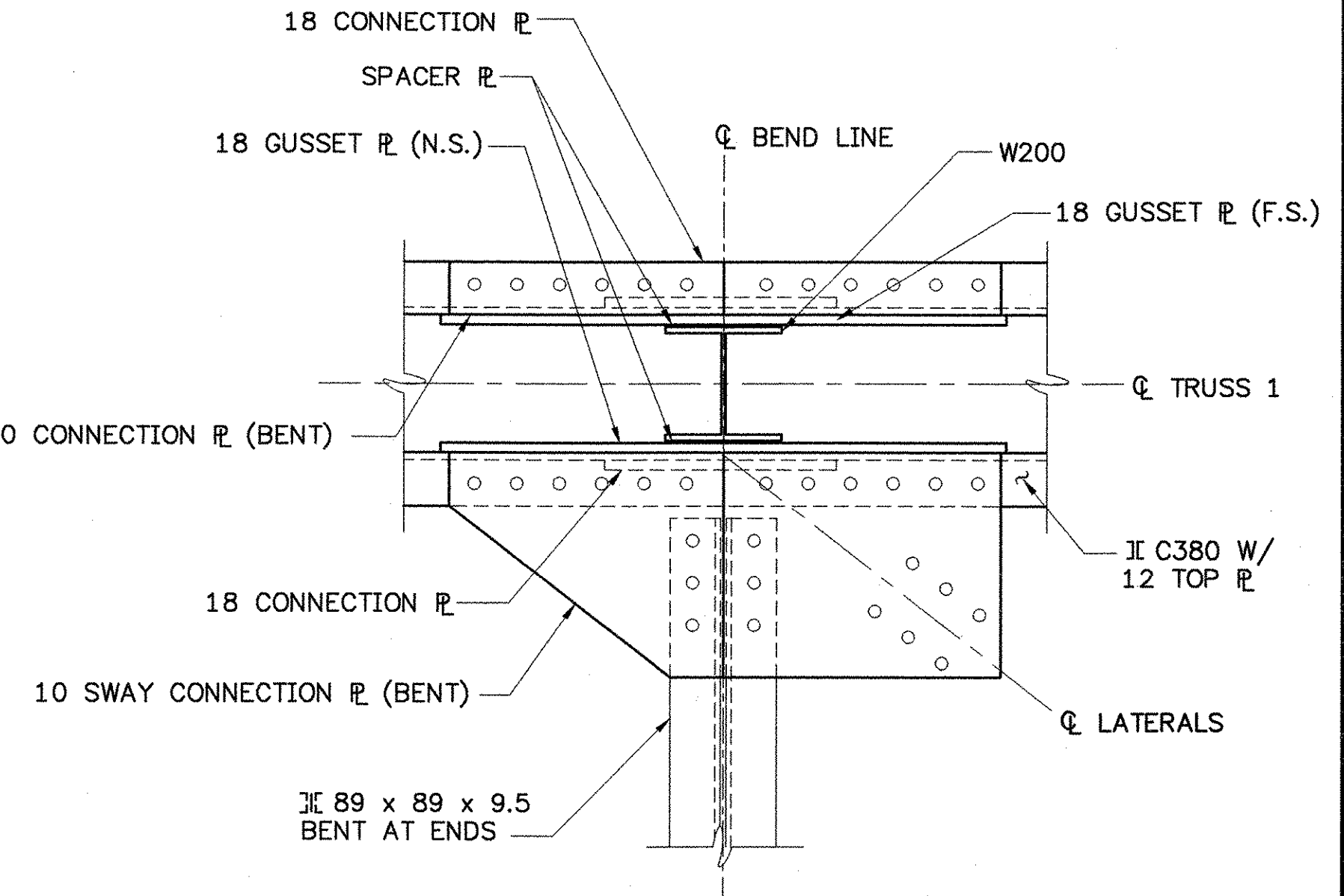
PLAN VIEW SWAY BRACING CONNECTION PLATE (TOP)
(U2 SHOWN)
SCALE 1:10



U3 PANEL POINT CONNECTION DETAIL
(TRUSS 1 SHOWN)
SCALE 1:10



SECTION A-A
SCALE 1:10



PLAN VIEW SWAY BRACING CONNECTION PLATE (BOTTOM)
(U2 SHOWN)
SCALE 1:10

NOTE
N.S. = NEAR SIDE
F.S. = FAR SIDE
L.L.V. = LONG LEG VERTICAL
L.L.H. = LONG LEG HORIZONTAL

STATE OF VERMONT AGENCY OF TRANSPORTATION			
Town Of	JAMAICA	Bridge No.	80
Highway No.	VT. ROUTE 100	Log Sta.	
VT. ROUTE 100 OVER THE WEST RIVER		Surv. Sta.	
TRUSS DETAILS (4 OF 4)			
Designed By	LKP	Drawn By	MWS
Checked By	Date	Bridge Design Supervisor	
LMM	2/02	LMM	Date 2/02
PROJECT	JAMAICA	PROJECT NO.	BRF 013-1(8)
I.G.C. Info.			
Bridge Sheet No.	Sheet 73 Of 116		