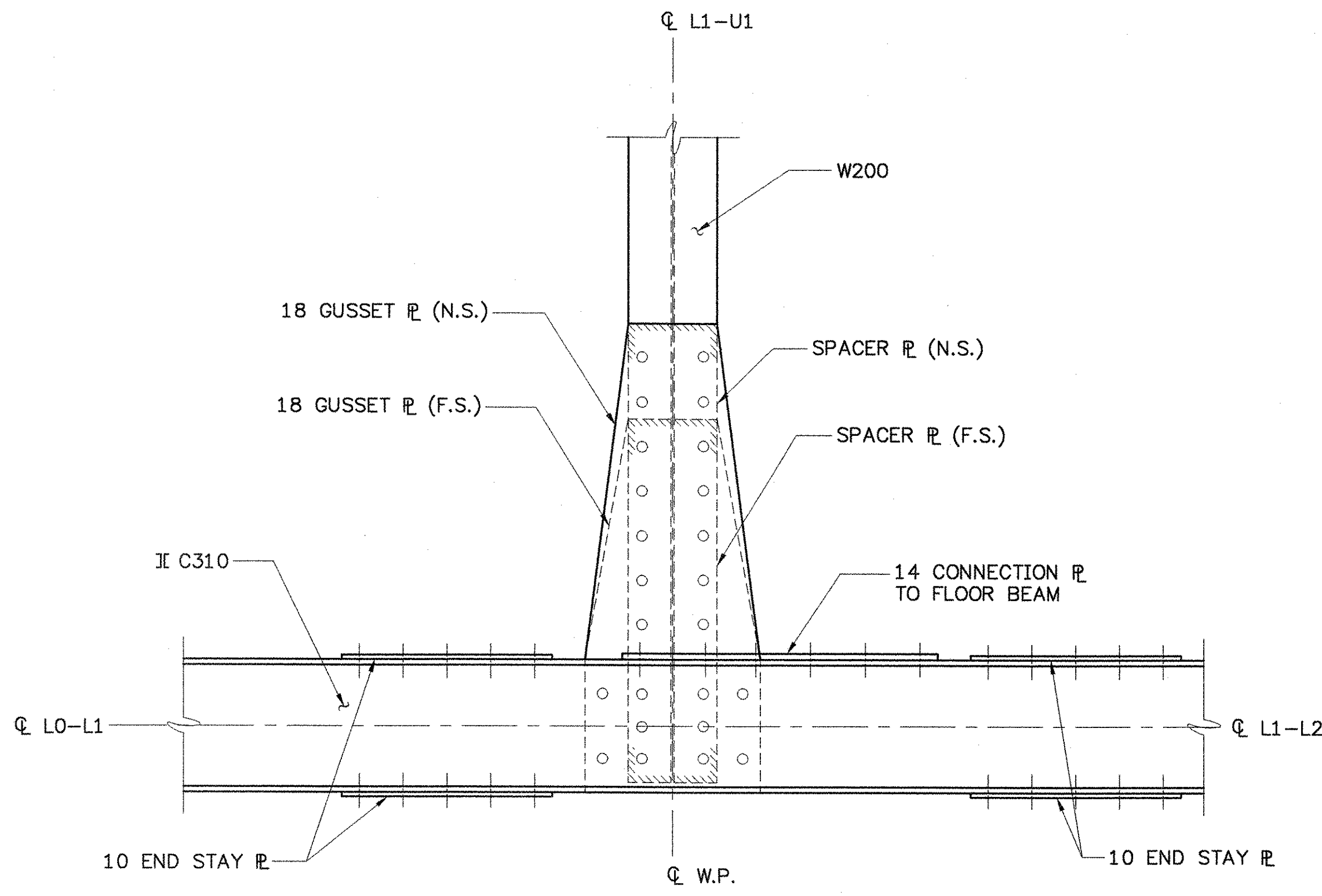
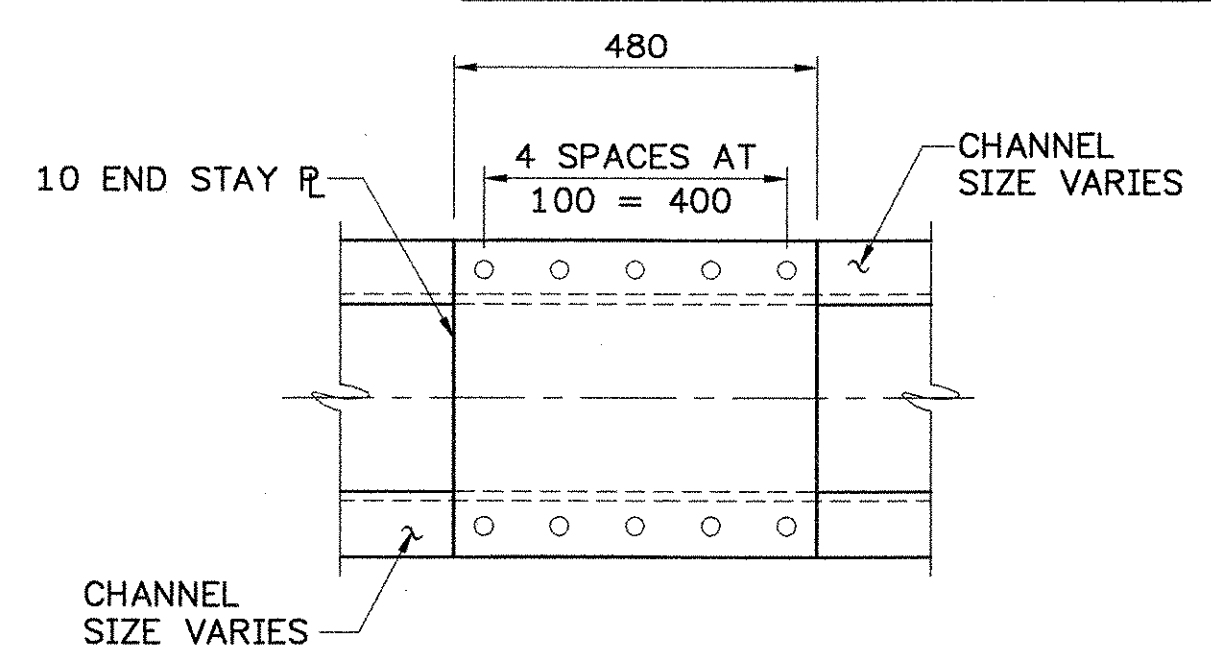


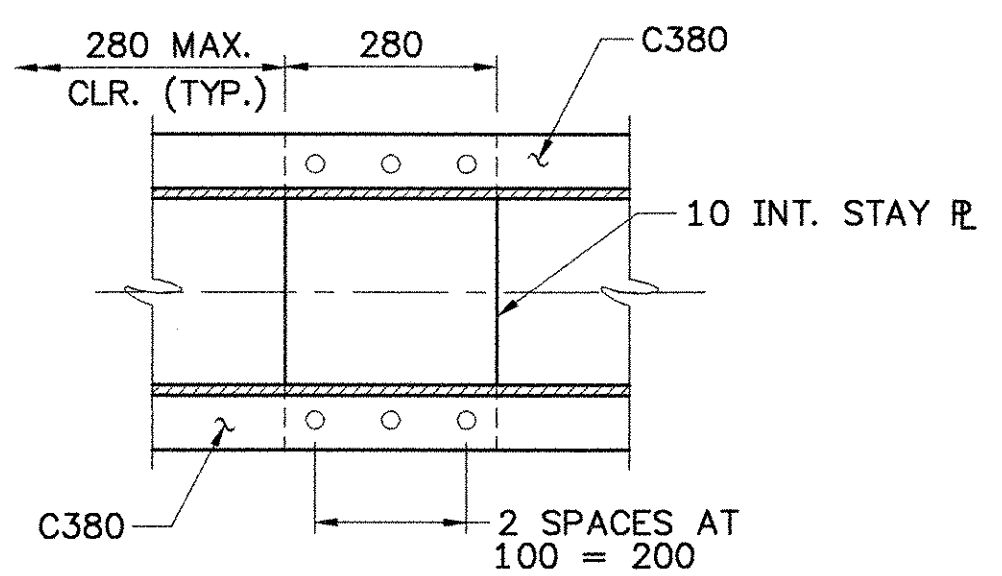
L0 PANEL POINT CONNECTION DETAIL
(TRUSS 1 SHOWN)
SCALE 1:10



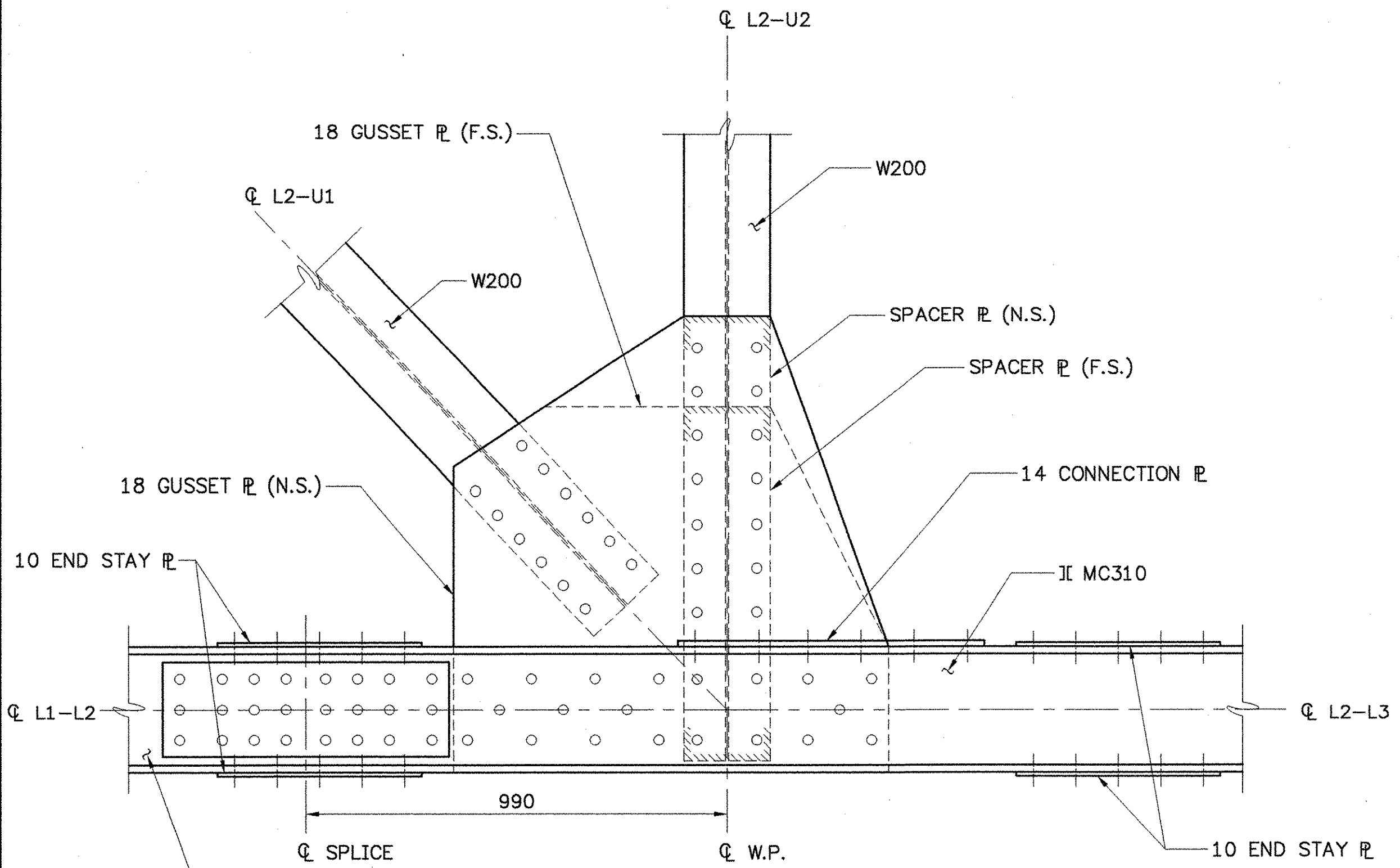
L1 PANEL POINT CONNECTION DETAIL
(TRUSS 1 SHOWN)
SCALE 1:10



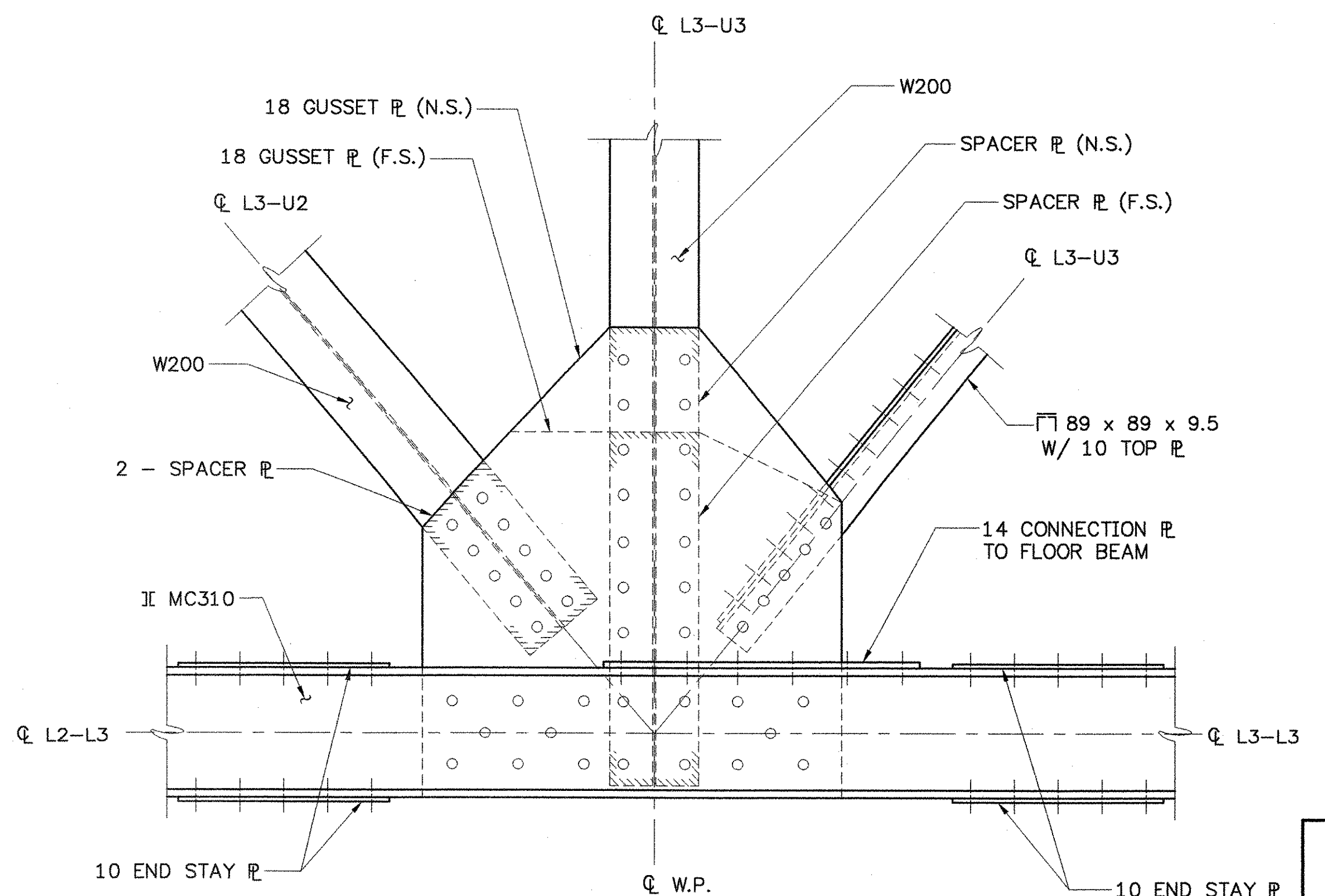
TYPICAL END STAY PLATE FOR UPPER AND LOWER CHORD
SCALE 1:10



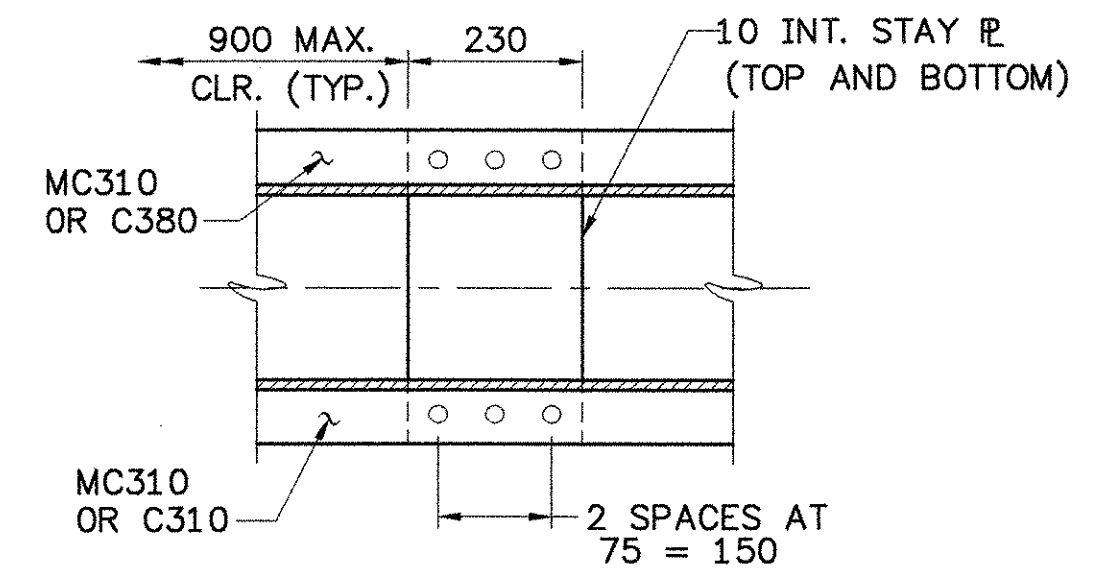
TYPICAL INTERMEDIATE STAY PLATE FOR UPPER CHORD
SCALE 1:10



L2 PANEL POINT CONNECTION DETAIL
(TRUSS 1 SHOWN)
SCALE 1:10



L3 PANEL POINT CONNECTION DETAIL
(TRUSS 1 SHOWN)
SCALE 1:10



TYPICAL INTERMEDIATE STAY PLATE FOR LOWER CHORD
SCALE 1:10

NOTE

- N.S. = NEAR SIDE
- F.S. = FAR SIDE
- L.L.V. = LONG LEG VERTICAL

STATE OF VERMONT AGENCY OF TRANSPORTATION

Town Of	JAMAICA	Bridge No.	80
Highway No.	VT. ROUTE 100	Log Sta.	
		Surv. Sta.	
VT. ROUTE 100 OVER THE WEST RIVER			
TRUSS DETAILS (2 OF 4)			
Designed By	LKP	Drawn By	MWS
Checked By	Date	Bridge Design Supervisor	
LMM	2/02	LMM	Date 2/02
PROJECT	JAMAICA	PROJECT NO.	BRF 013-1(8)
I.G.C. Info.			
Bridge Sheet No.		Sheet	71 Of 116

CLD CONSULTING ENGINEERS
540 Commercial St.
Manchester, NH 03101
PH: (603) 668-9223
FAX: (603) 668-8802
E-MAIL: CLD@CLDENGINEERS.COM

90284.INT.dwg (1=1)