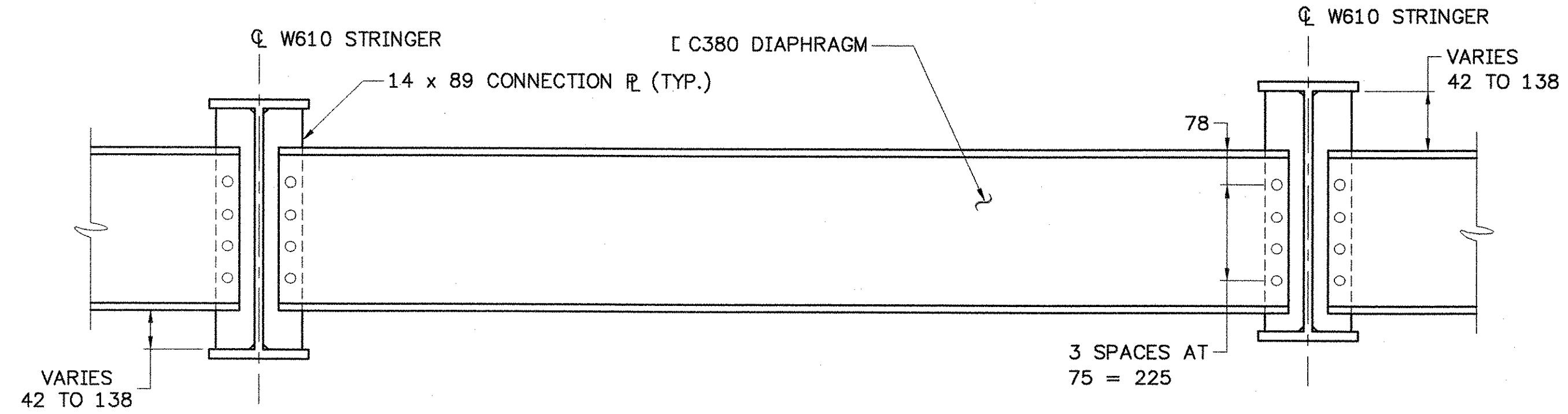


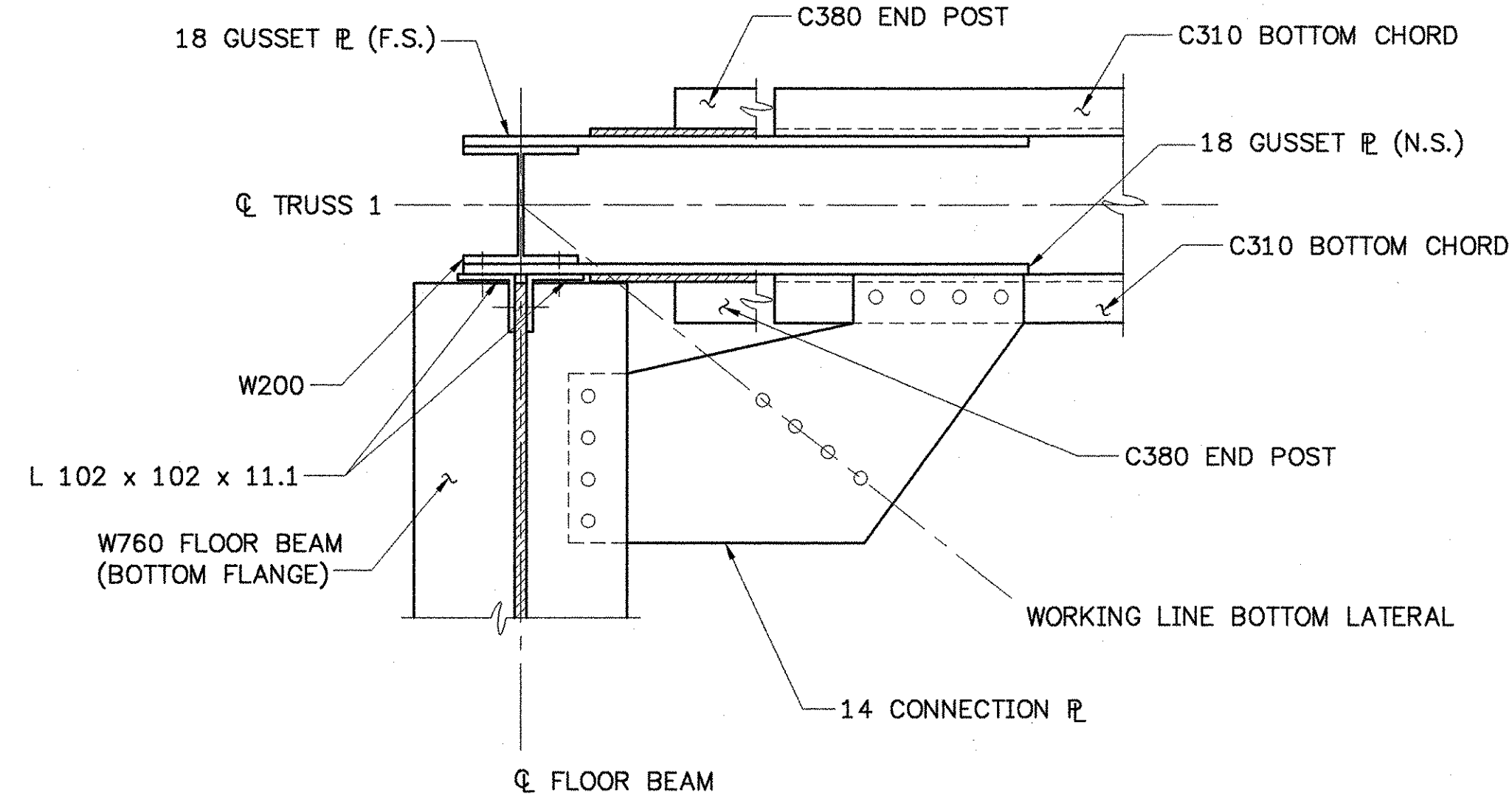
TYPICAL STRINGER TO FLOOR BEAM CONNECTION

SCALE 1:10



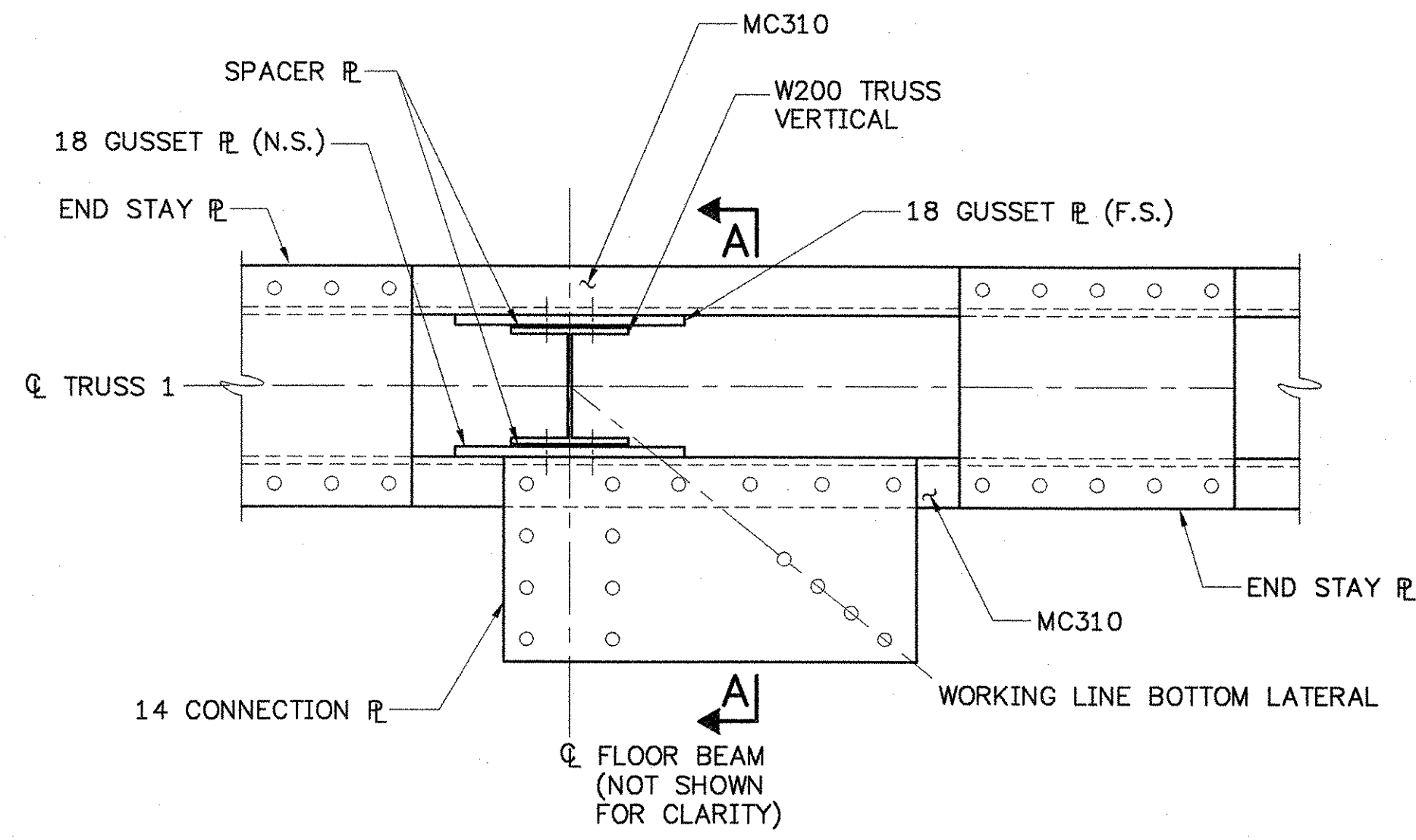
TYPICAL INTERMEDIATE DIAPHRAGM

SCALE 1:10



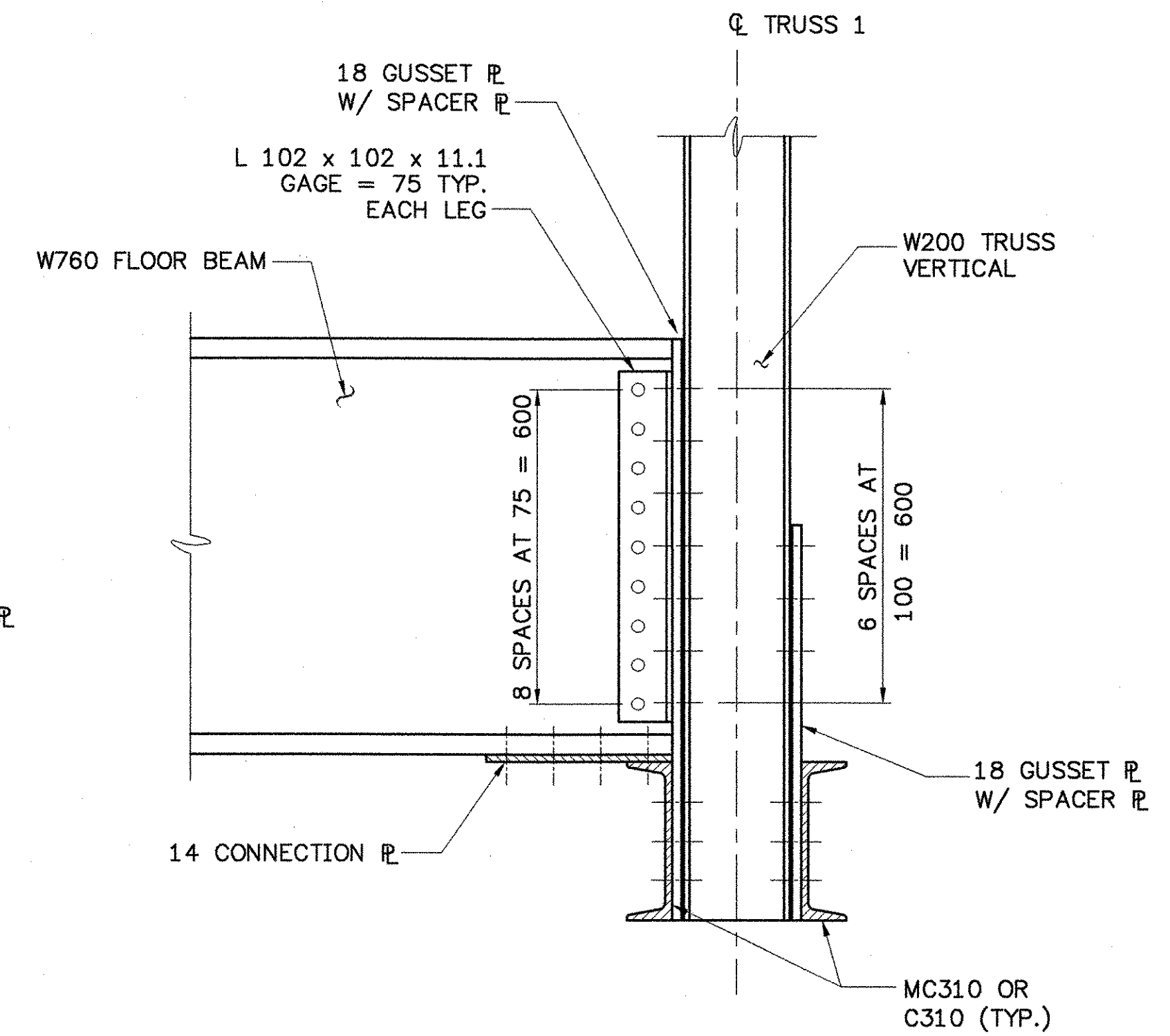
PLAN VIEW PANEL POINT L0 CONNECTION DETAIL

(TRUSS 1 SHOWN)
SCALE 1:10



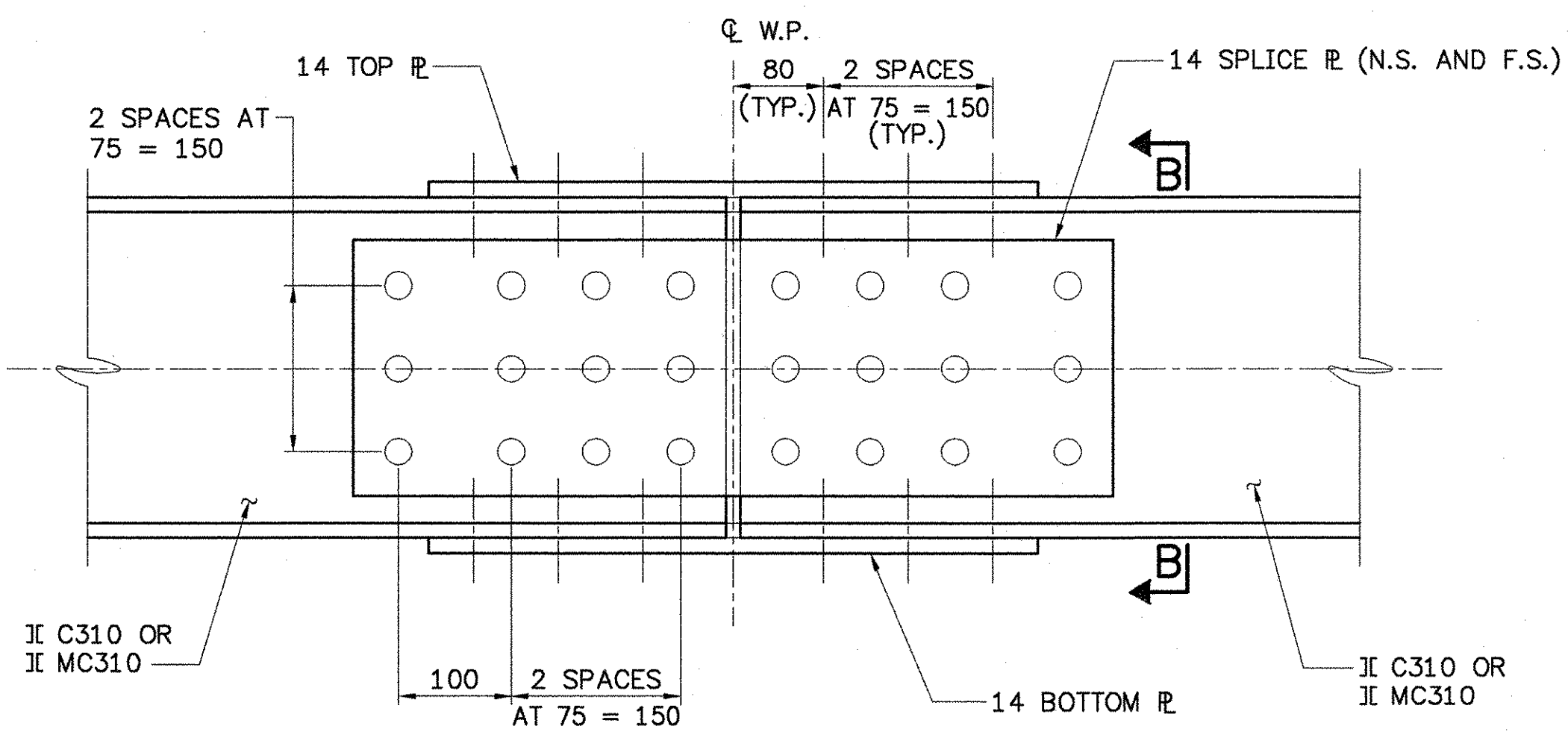
PLAN VIEW PANEL POINT L1 CONNECTION DETAIL

(TRUSS 1 SHOWN)
SCALE 1:10



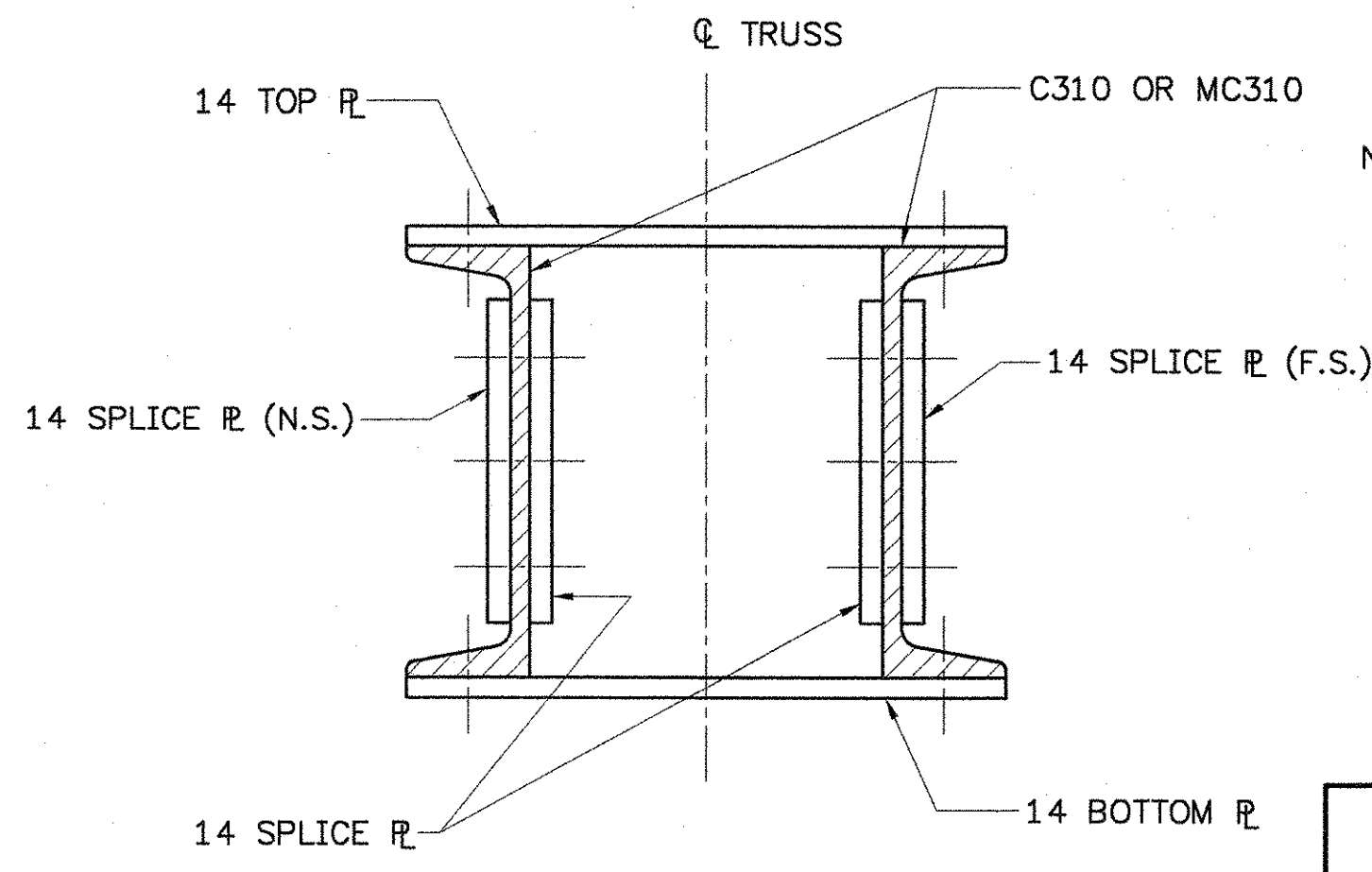
SECTION A-A

SCALE 1:10



TYPICAL SPLICE DETAIL (BOTTOM CHORD)

SCALE 1:5



SECTION B-B

SCALE 1:5

NOTE: AT SPLICE WITH C310 AND MC310 A 5 mm FILLER PLATE IS NEEDED TYP. EACH SIDE (NOT SHOWN).

NOTE

- N.S. = NEAR SIDE
- F.S. = FAR SIDE
- L.L.V. = LONG LEG VERTICAL

STATE OF VERMONT AGENCY OF TRANSPORTATION			
Town Of	JAMAICA	Bridge No.	80
Highway No.	VT. ROUTE 100	Log Sta.	
		Surv. Sta.	
VT. ROUTE 100 OVER THE WEST RIVER TRUSS DETAILS (1 OF 4)			
Designed By	LKP	Drawn By	MWS
Checked By	Date	Bridge Design Supervisor	
LMM	2/02	LMM	Date 2/02
PROJECT	JAMAICA	PROJECT NO.	BRF 013-1(8)
I.G.C. Info.			
Bridge Sheet No.		Sheet	70 Of 116

540 Commercial St.
Manchester, NH 03101
PH: (603) 668-8223
FAX: (603) 668-8802
E-MAIL: CLD@CLDENGINEERS.COM

S0284.INT.dwg (1=1)