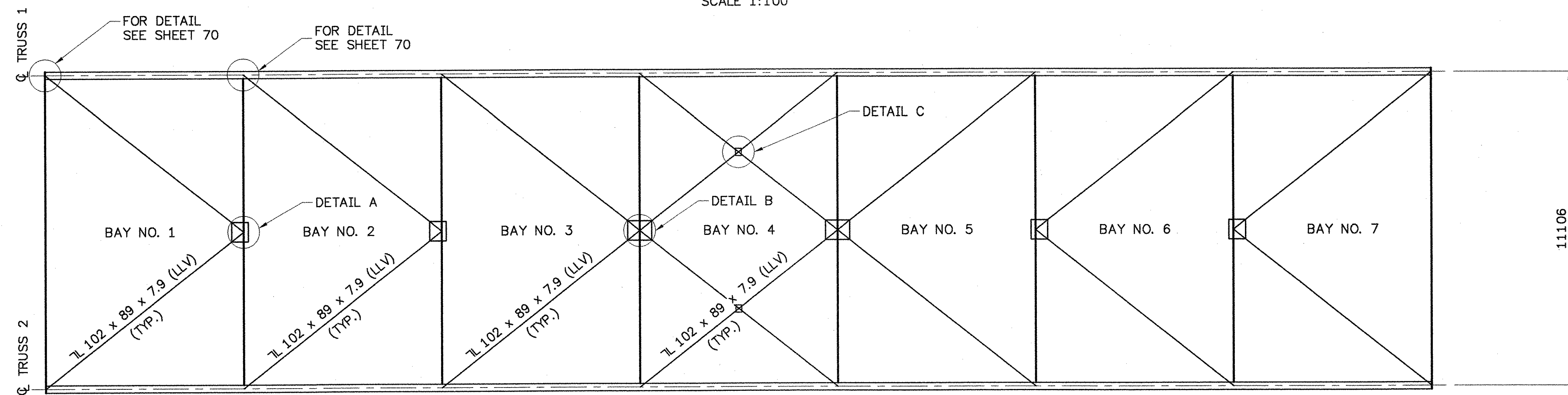
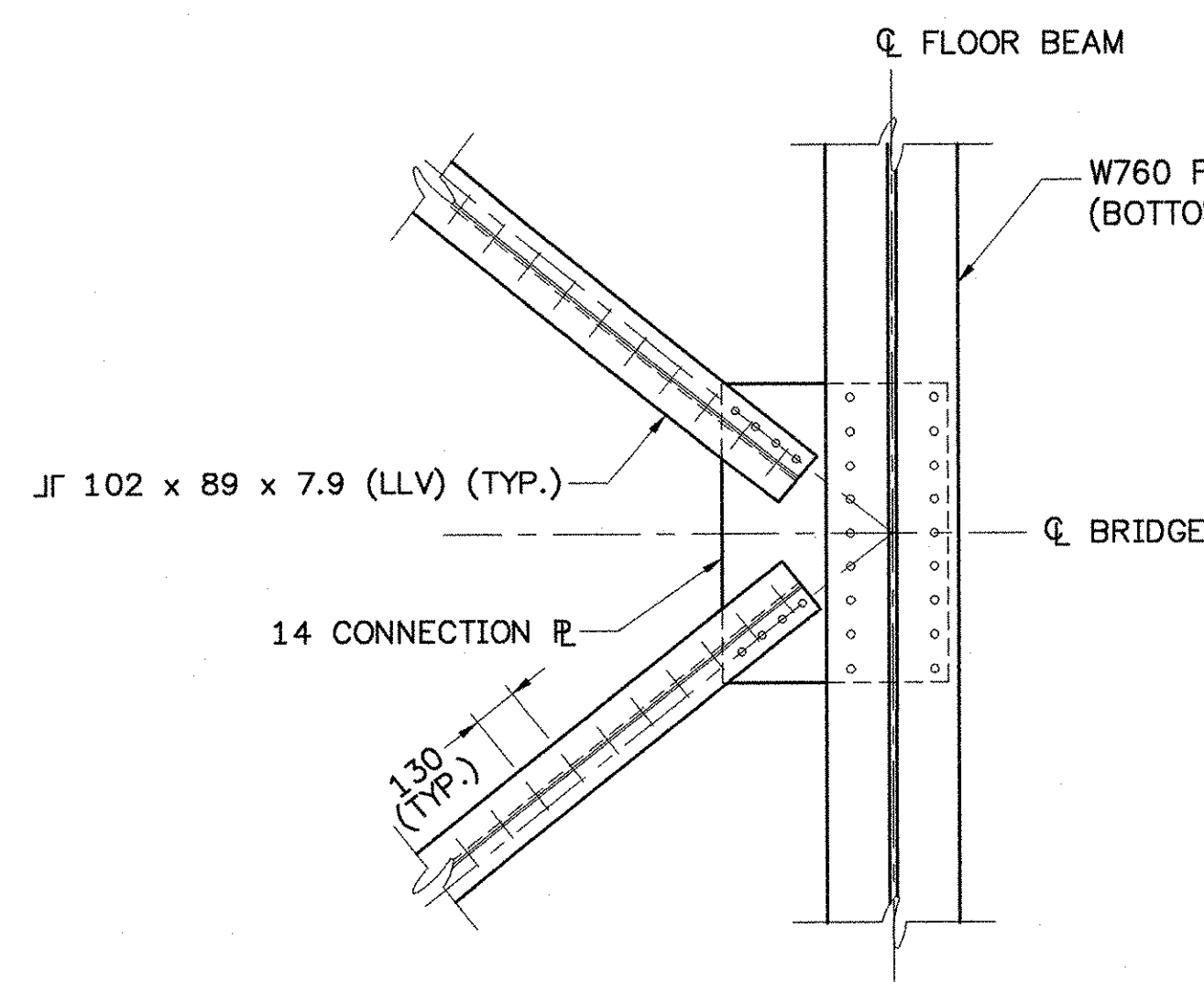


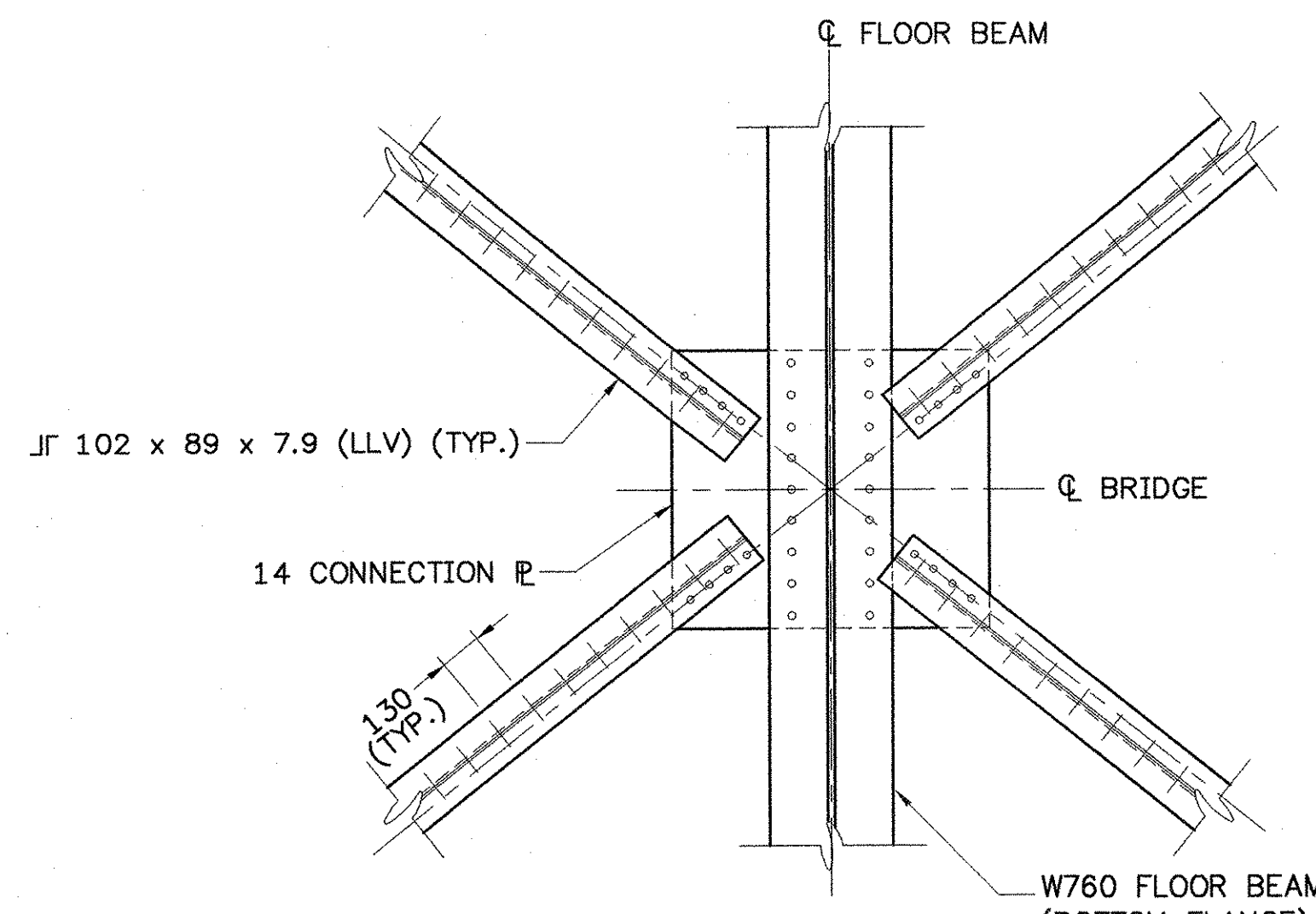
**TRUSS FLOOR FRAMING PLAN**  
SCALE 1:100



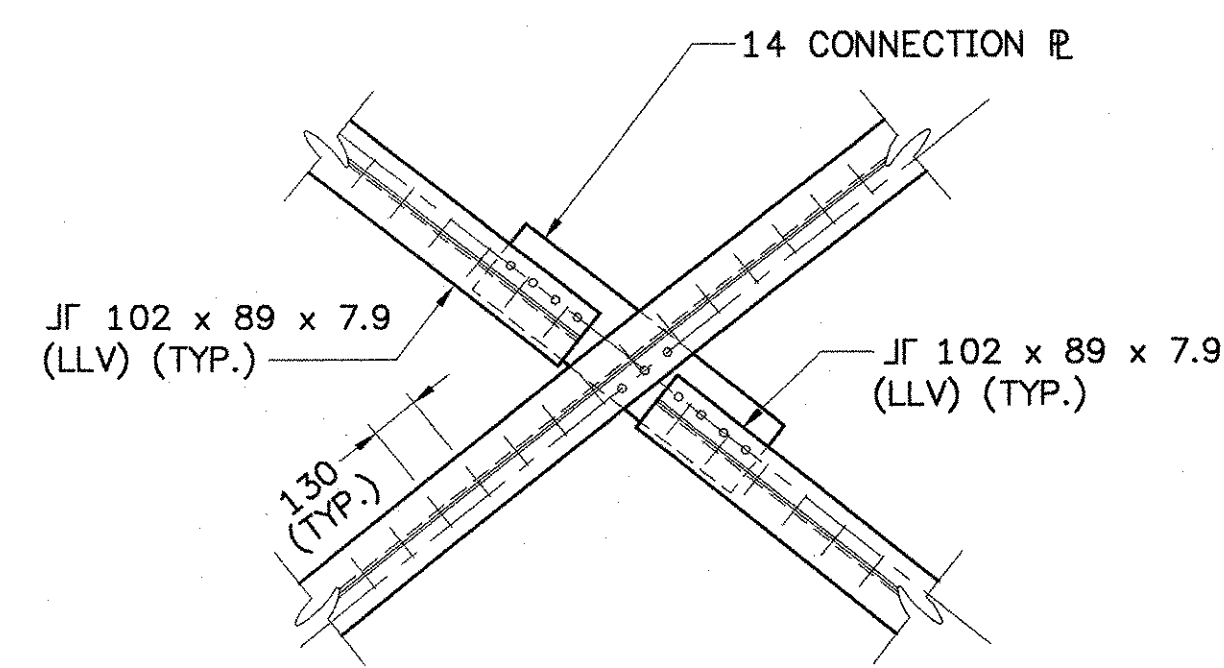
**BOTTOM LATERAL BRACING PLAN**  
SCALE 1:100



**DETAIL A**  
SCALE 1:20



**DETAIL B**  
SCALE 1:20



**DETAIL C**  
SCALE 1:20

**NOTE**  
LLV = LONG LEG VERTICAL  
S = STRINGER  
FB = FLOOR BEAM  
CVN = MEMBERS REQUIRING A CHARTY V-NOTCH TEST. SEE SECTION 714.01 OF STANDARD SPECIFICATIONS.

<b>STATE OF VERMONT AGENCY OF TRANSPORTATION</b>	
Town Of JAMAICA	Bridge No. 80
Highway No. VT. ROUTE 100	Log Sta.
VT. ROUTE 100 OVER THE WEST RIVER	
FRAMING PLAN - TRUSS	
Designed By LKP	Drawn By. MWS
Checked By LMM	Bridge Design Supervisor LMM
Date 2/02	Date 2/02
PROJECT JAMAICA	PROJECT NO. BRF 013-1(B)
I.G.C. Info.	
Bridge Sheet No.	Sheet 68 Of 116

540 Commercial St.  
Manchester, NH 03101  
Ph: (603) 668-8223  
Fax: (603) 668-8802  
E-MAIL: CLD@CLDENGINEERS.COM