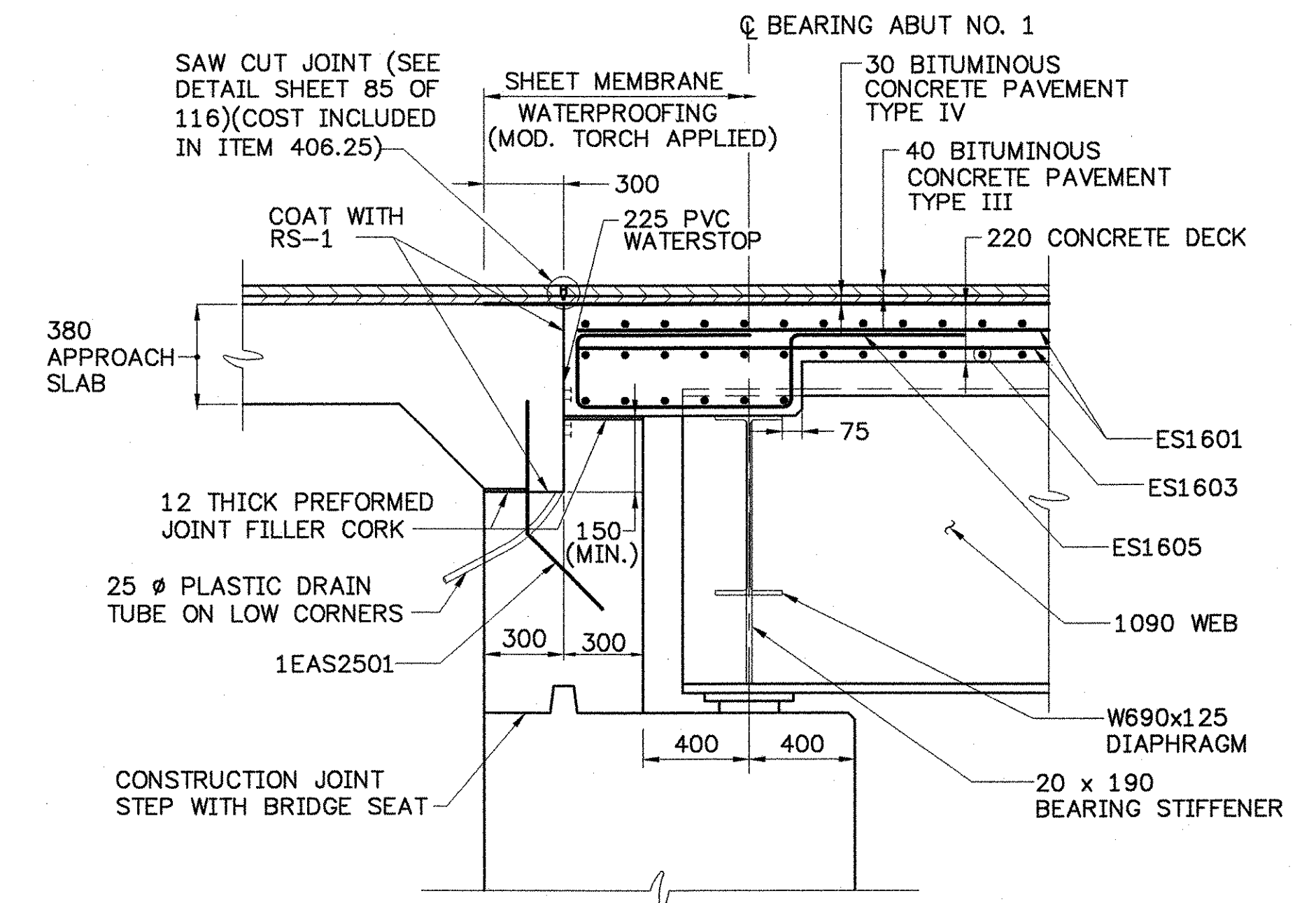
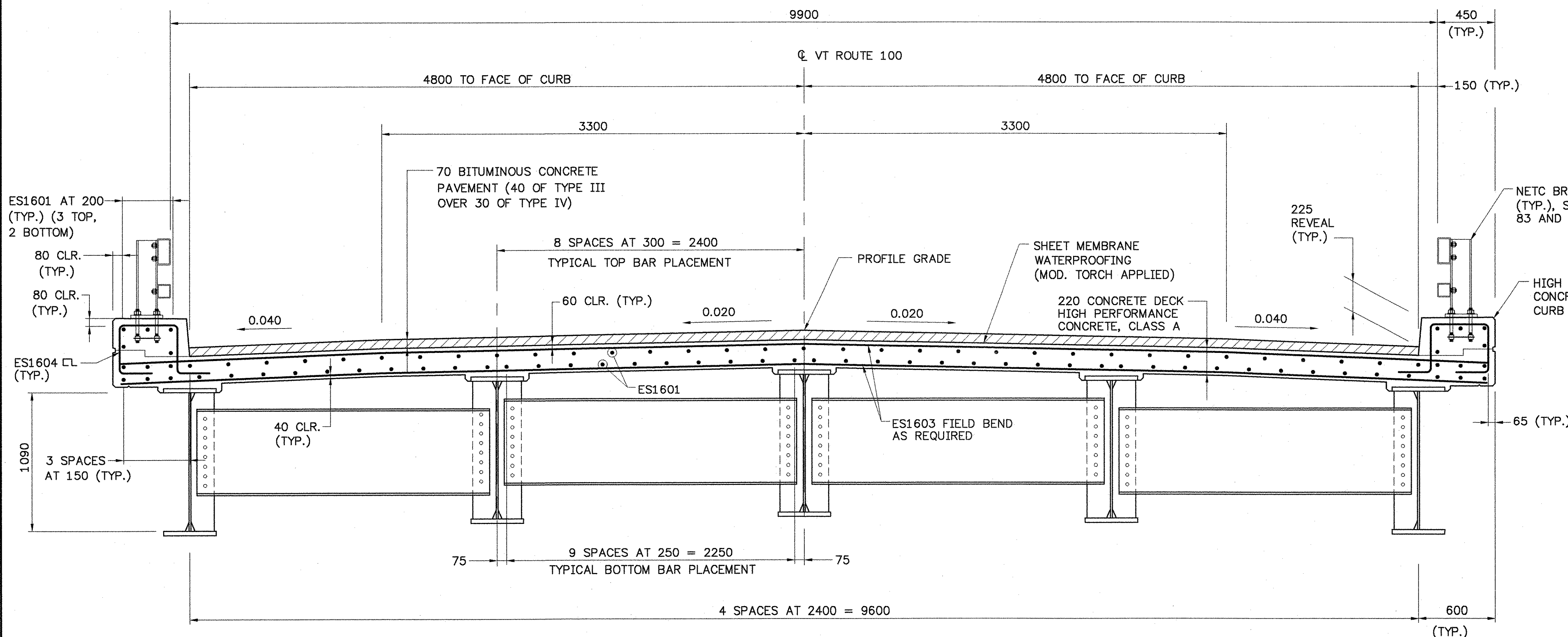


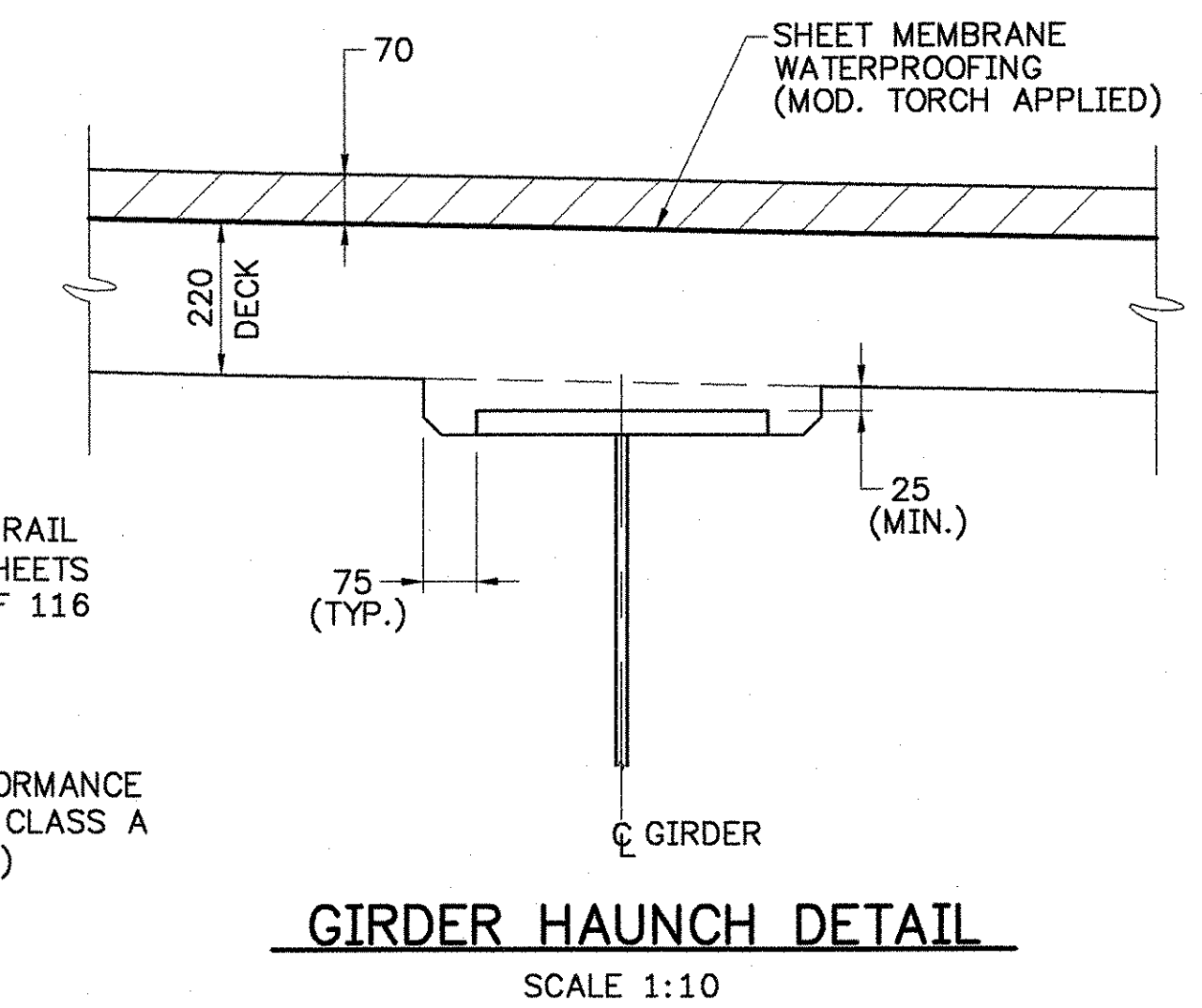
APPROACH BRIDGE DECK PLAN
SCALE 1:100



FIXED END DETAIL AT ABUTMENT NO. 1
SCALE 1:20



APPROACH BRIDGE TYPICAL SECTION
SCALE 1:20



GIRDER HAUNCH DETAIL
SCALE 1:10

STATE OF VERMONT AGENCY OF TRANSPORTATION			
Town Of	JAMAICA	Bridge No.	80
Highway No.	VT. ROUTE 100	Log Sta.	
VT. ROUTE 100 OVER THE WEST RIVER		Surv. Sta.	
DECK DETAILS - APPROACH BRIDGE			
Designed By	JH	Drawn By	MWS
Checked By	RMR	Bridge Design Supervisor	LMM
Date	2/02	Date	2/02
PROJECT	JAMAICA	PROJECT No.	BRF 013-1(8)
I.G.C. Info.			
Bridge Sheet No.	Sheet 62 Of 116		

540 Commercial St.
Manchester, NH 03101
PH: (603) 688-8223
FAX: (603) 688-8802
E-MAIL: CLD@CLDENGINEERS.COM

90284ADD.dwg (1=1)