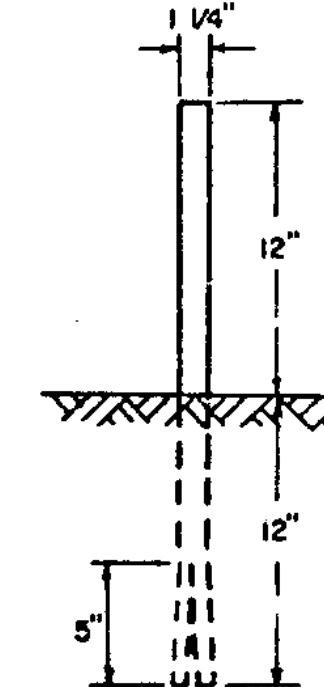


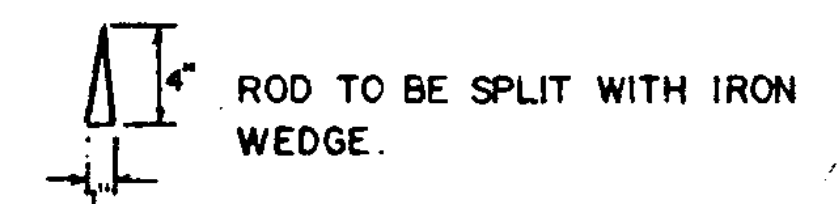
LETTERING DETAIL
(ALL LETTERS TO BE COUNTERSUNK 1/8")
SCALE: FULL SIZE

1/4" STEEL ROD 2'-0" LONG TO BE USED IN AREAS OF LEDGE.



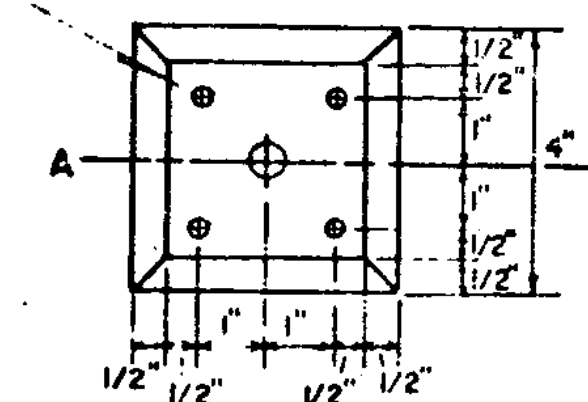
2" HOLE TO BE DRILLED IN LEDGE.

SPACE AROUND HOLE TO BE FILLED WITH MORTAR, TYPE I.

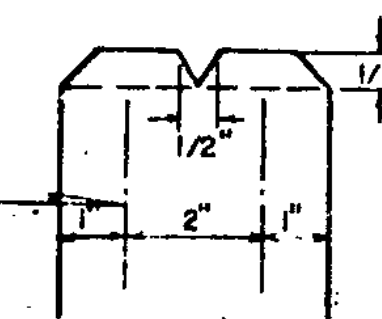


ROD TO BE SPLIT WITH IRON WEDGE.

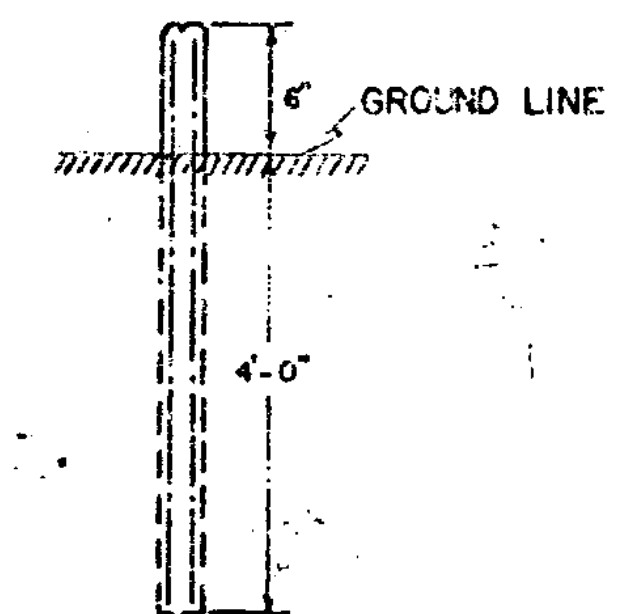
REINFORCING STEEL BARS



REINFORCING STEEL BARS



SECTION A-A



GROUND LINE

4'-0"

BOUNDARY MARKERS TO BE CONSTRUCTED OF CONCRETE CLASS A.
4 REINFORCING STEEL BARS ARE No. 3 DEFORMED BARS 4'-4" LONG.
BOUNDS ARE TO BE SET WITH 6" ABOVE GROUND, OR AS DIRECTED BY THE ENGINEER.
IN AREAS WHERE MOWING OPERATIONS ARE REQUIRED, BOUNDS SHALL BE SET FLUSH WITH THE GROUND.

BOUNDARY MARKERS

REVISIONS AND CORRECTIONS

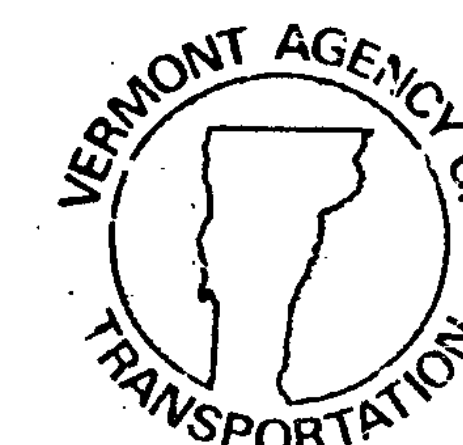
APPROVED: _____
DATE _____

DIR. OF ENGINEERING AND CONSTRUCTION

CHIEF OF DESIGN

TRANSPORTATION DESIGN ENGINEER

BOUNDARY MARKERS



STANDARD
J-1