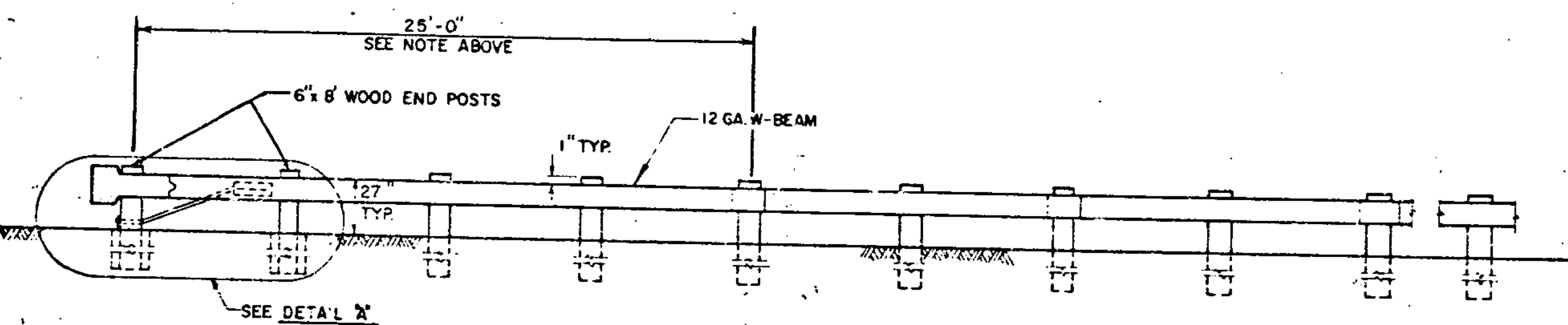
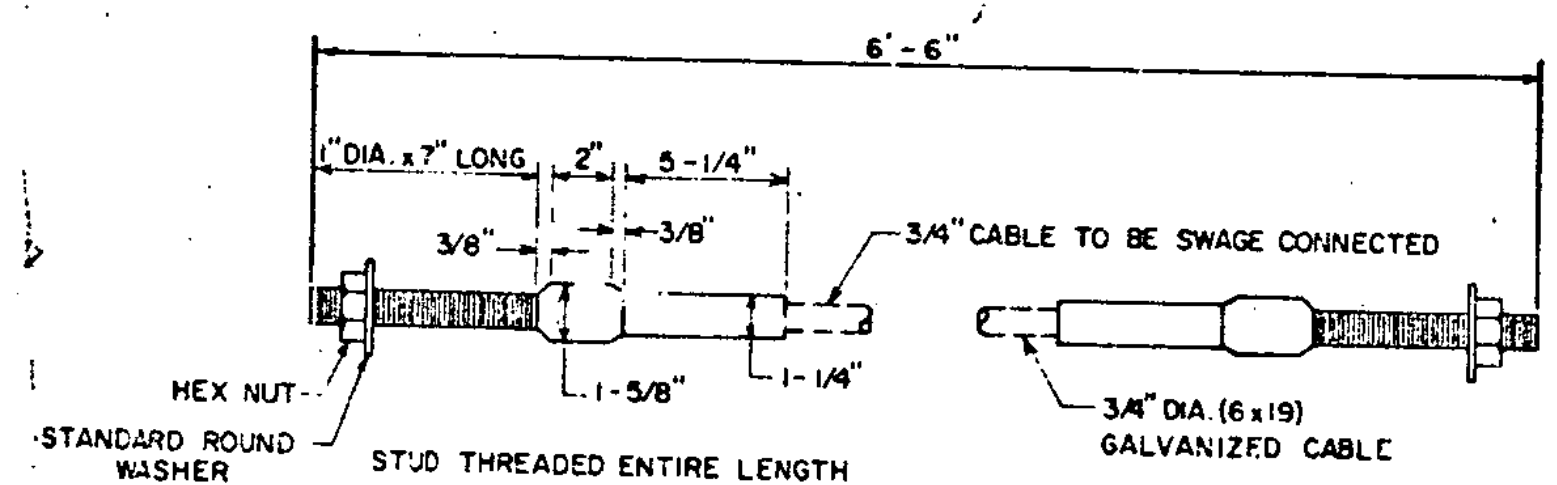


PLAN



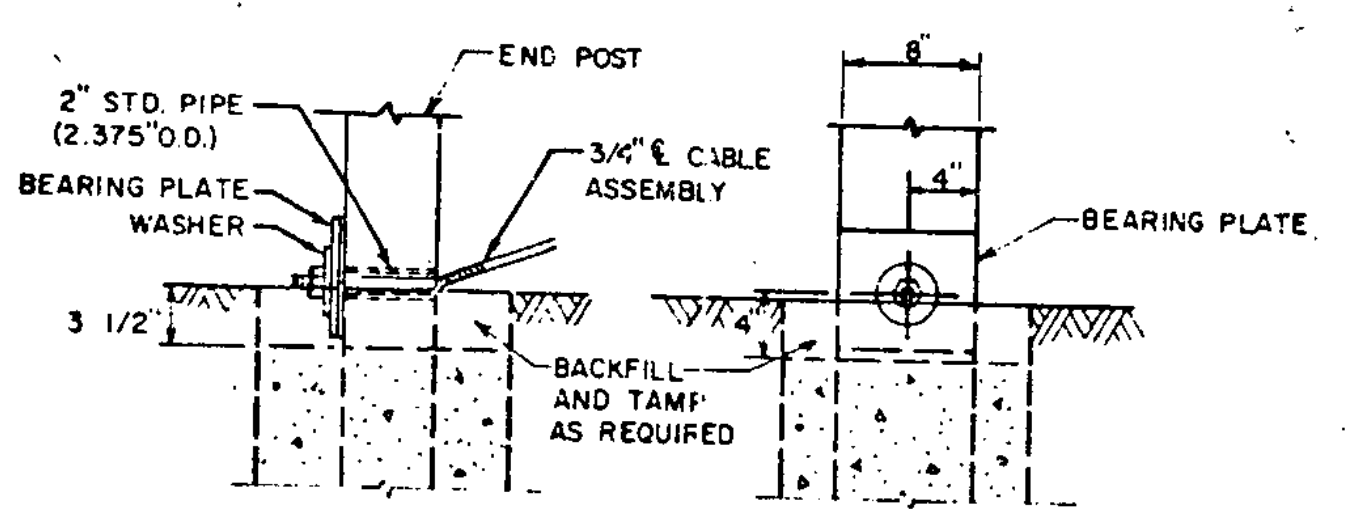
ELEVATION



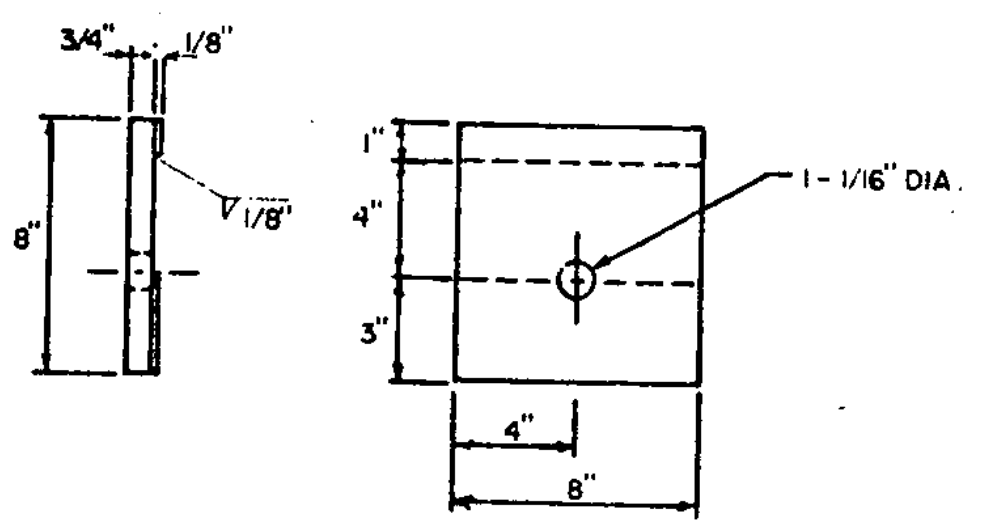
CABLE ASSEMBLY

NOTES

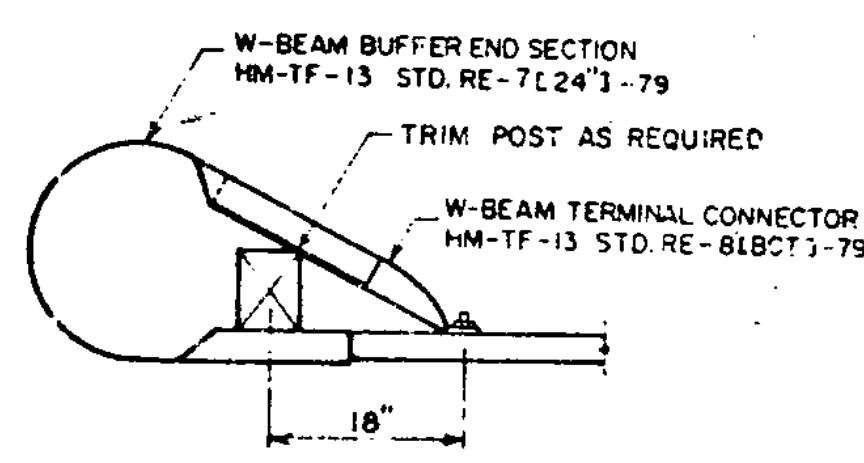
1. OTHER ANCHOR CABLE ASSEMBLIES MAY BE USED. MINIMUM BREAKING STRENGTH OF ASSEMBLY SHOULD BE 40,000 LBS.
2. CONCRETE FOOTINGS ARE CLASS B. IN SANDY FILL AREAS, CONSIDERATION TO INCREASING SIZE OF END FOOTING IS SUGGESTED.
3. A DOUBLE WRAP OF ASPHALT TREATED FELT AROUND END POSTS BEFORE CONCRETE PLACEMENT WILL FACILITATE REPLACEMENT OF DAMAGED POSTS.
4. STANDARD SHEET G-1 WILL BE USED IN CONJUNCTION WITH THIS STANDARD.
5. USE 12" LONG W-BEAM BACK-UP PLATE AT POSTS WHERE W-BEAM SPLICE DOES NOT OCCUR.



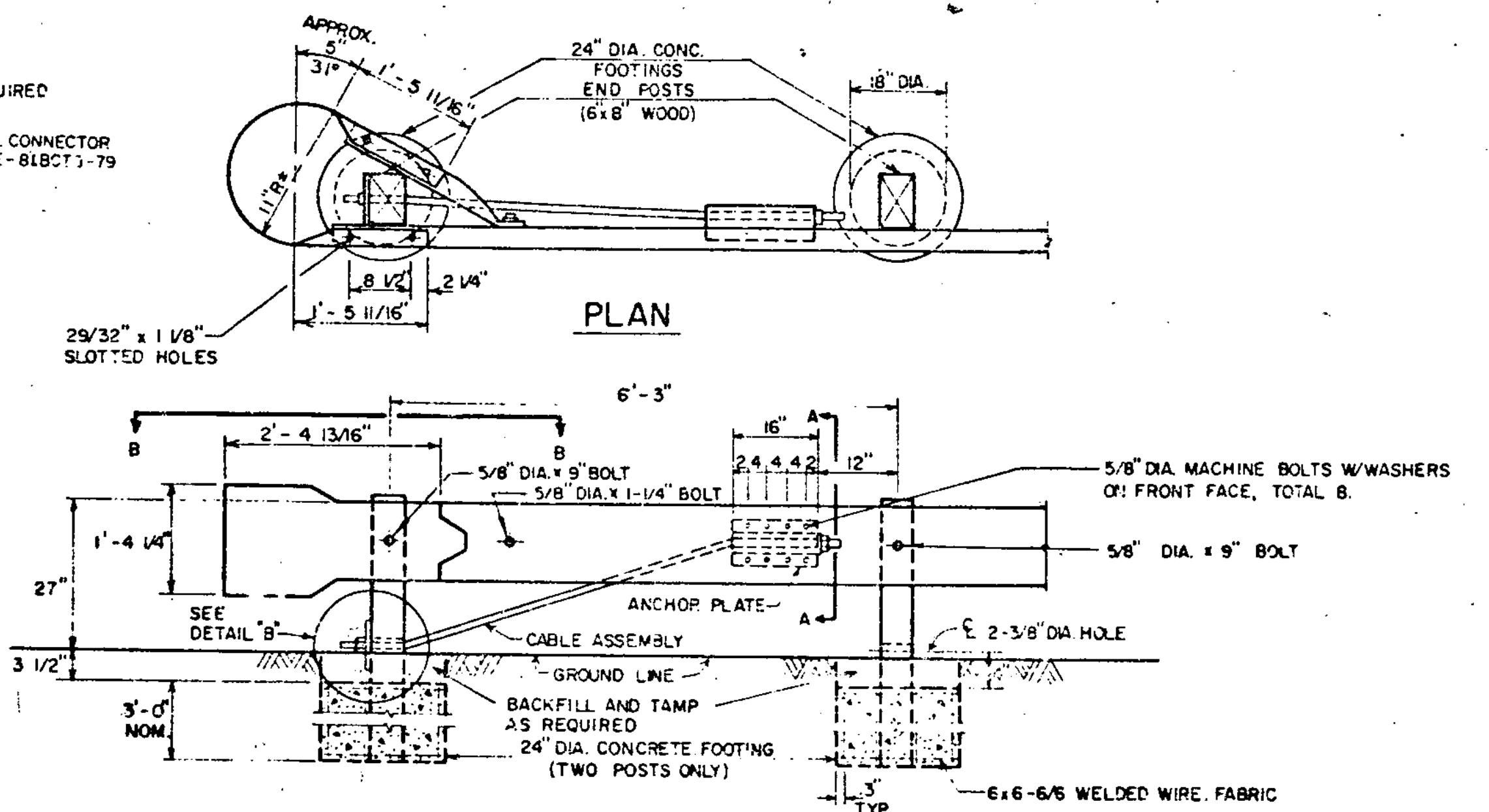
DETAIL "B"



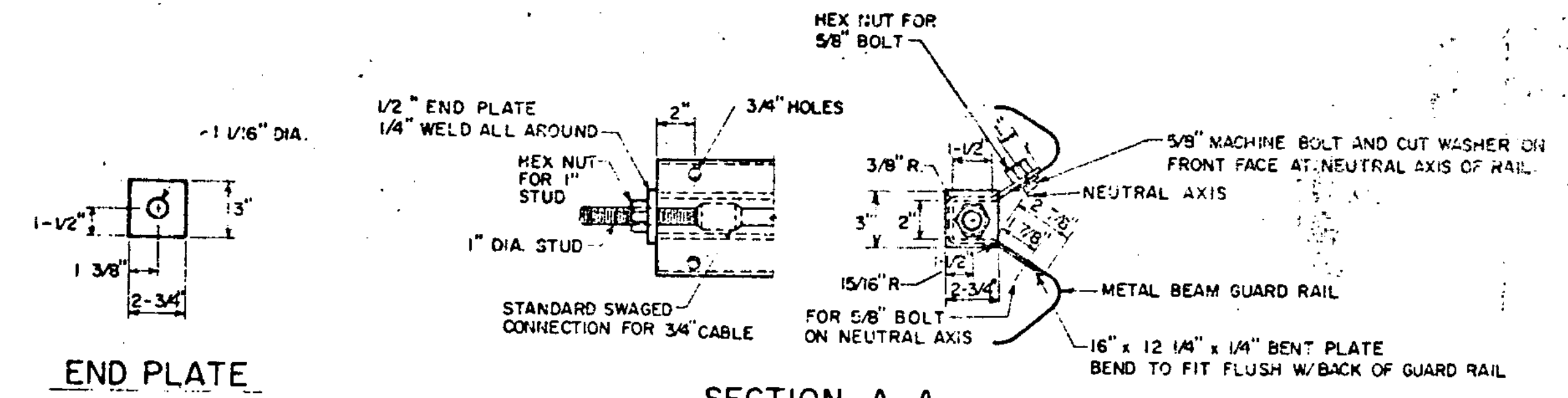
BEARING PLATE DETAILS



VIEW B-B

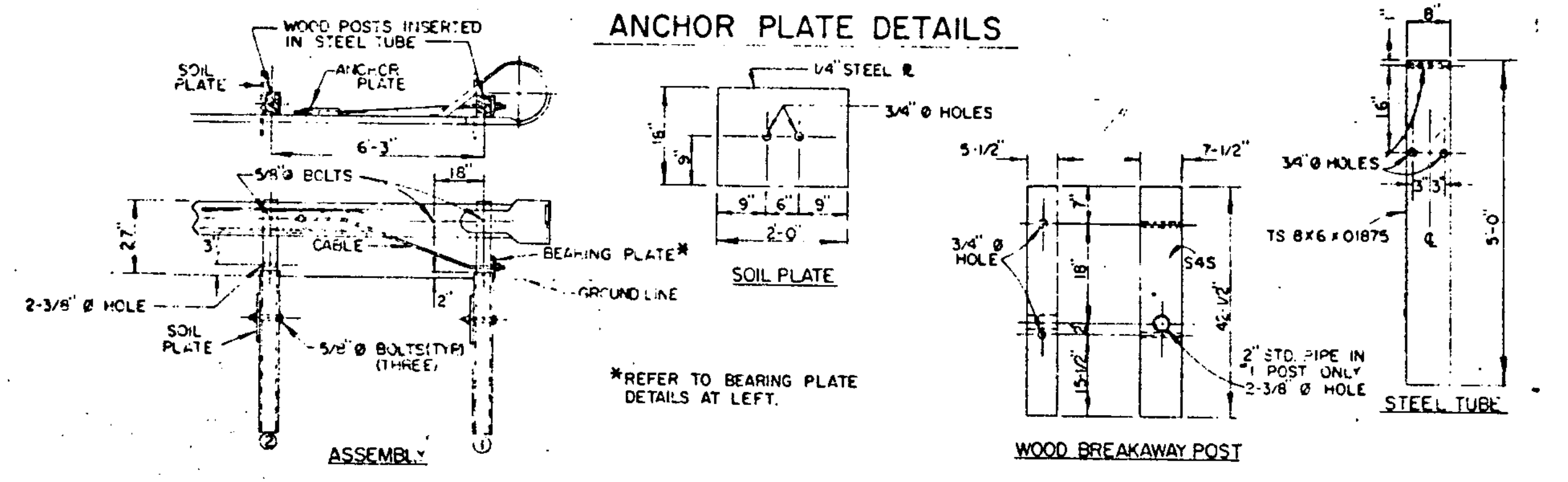


ELEVATION DETAIL "A"



END PLATE

SECTION A-A



ANCHOR PLATE DETAILS

ALTERNATE FOUNDATION DETAILS

REVISIONS AND CORRECTIONS
 APR 21, 1977 - BREAKAWAY DETAIL LOWERED TO GROUND LINE.
 JAN 19, 1981 - ALTERNATE FOUNDATION DETAILS ADDED, MISCELLANEOUS CLARIFICATION OF NOTES AND DETAILS
 AUG 12, 1981 - REMOVED BEARING PLATE DETAIL FROM ALTERNATE FOUNDATION DETAILS.

APPROVED: DATE July 21, 1976
 E. H. Blackney
 CHIEF ENGINEER
 R. O. Munn
 ASST. CHIEF ENGINEER
 Lynn E. Jones
 HIGHWAY ENGINEER

BREAKAWAY CABLE TERMINAL
 FOR GUARDRAIL, STEEL BEAM WITH
 WOOD POSTS, TYPE II



STANDARD
 G-14