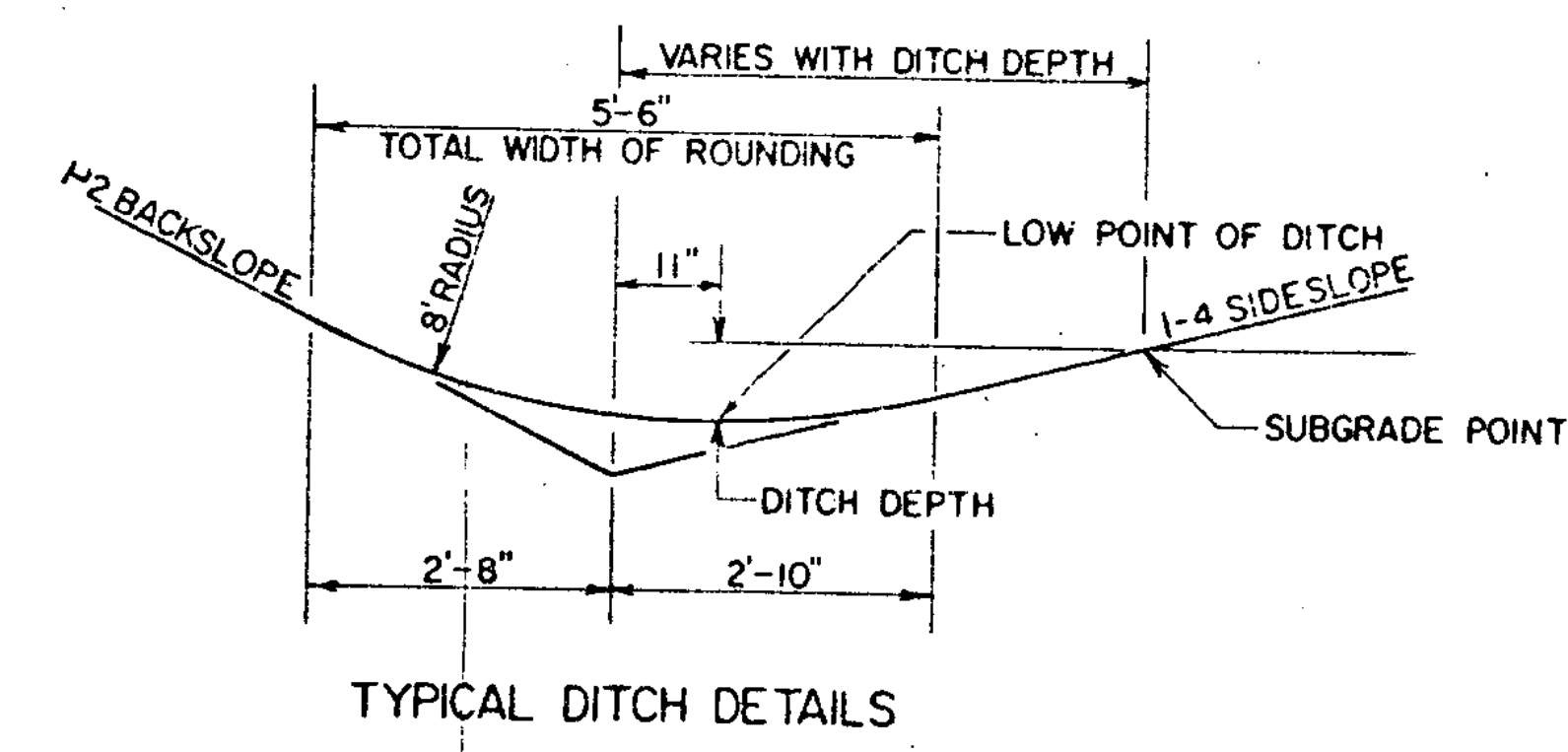


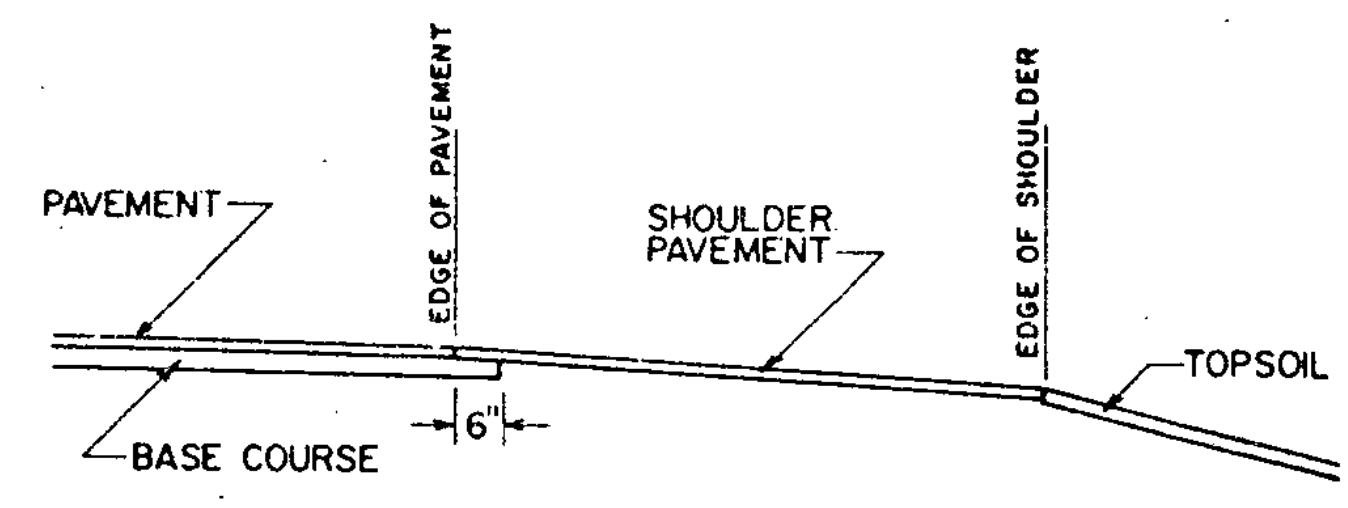
TYPICAL SECTIONS

1-1/2" BITUMINOUS CONCRETE PAVEMENT
 3" PLANT MIXED BASE COURSE
 18" to 24" SUBBASE
 SHOULDERS: 1-1/2" BITUMINOUS CONCRETE PAVEMENT (as indicated on the plans or as directed by the Engineer)
 0"-12" GRANULAR BORROW (in Fills) as indicated on the plans or as directed by the Engineer
 0"-24" SAND BORROW (in Cuts)

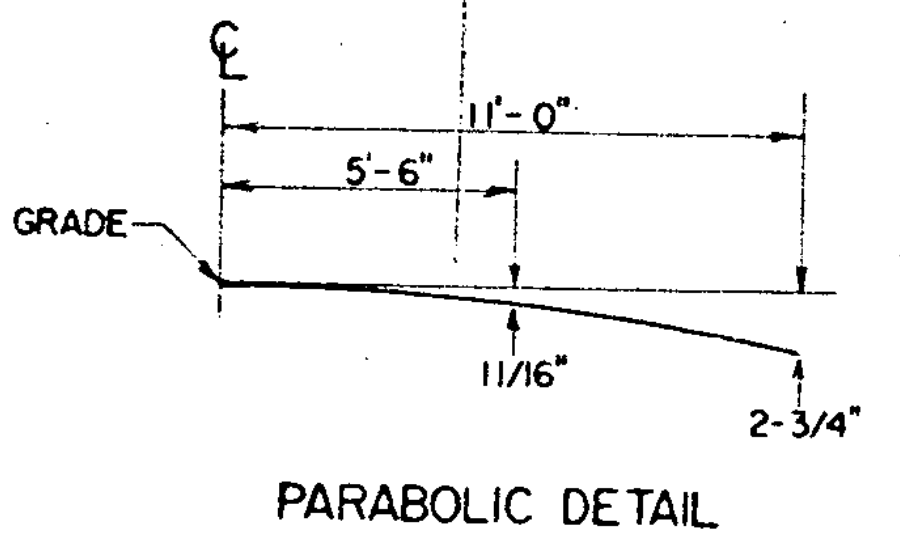
NOTE: SHOULDER PAVING WILL BE SPECIFIED WHERE ϵ GRADE EXCEEDS 5%.



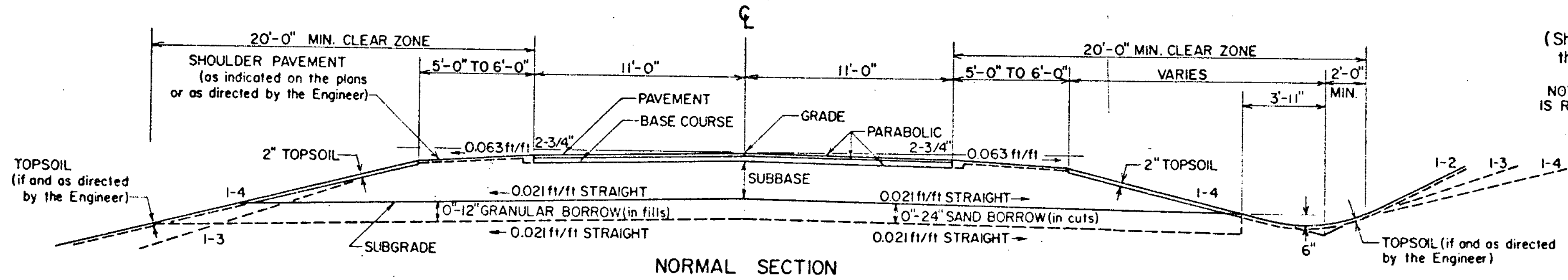
TYPICAL DITCH DETAILS



DETAIL OF SHOULDER PAVING
 (Shoulders to be paved only where indicated on the plans or as directed by the Engineer)
 NOTE THAT 6" ADDITIONAL WIDTH OF BASE COURSE IS REQUIRED ONLY WHERE SHOULDERS ARE TO BE PAVED.

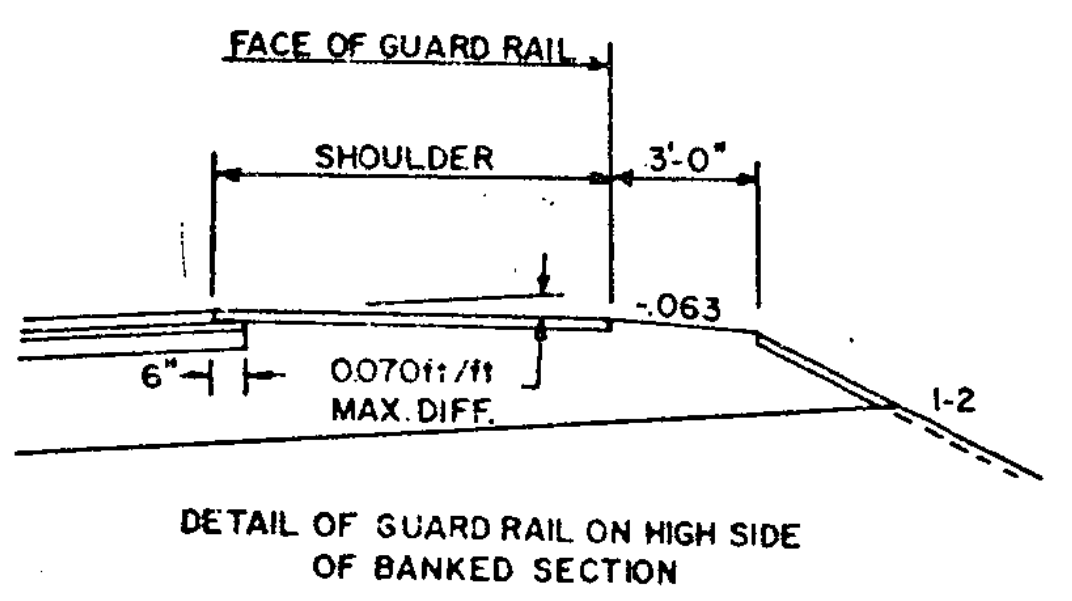


PARABOLIC DETAIL

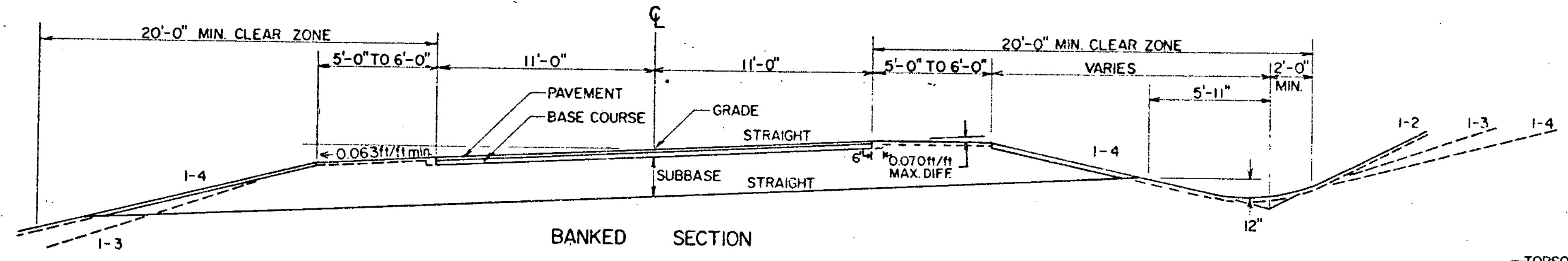


NORMAL SECTION

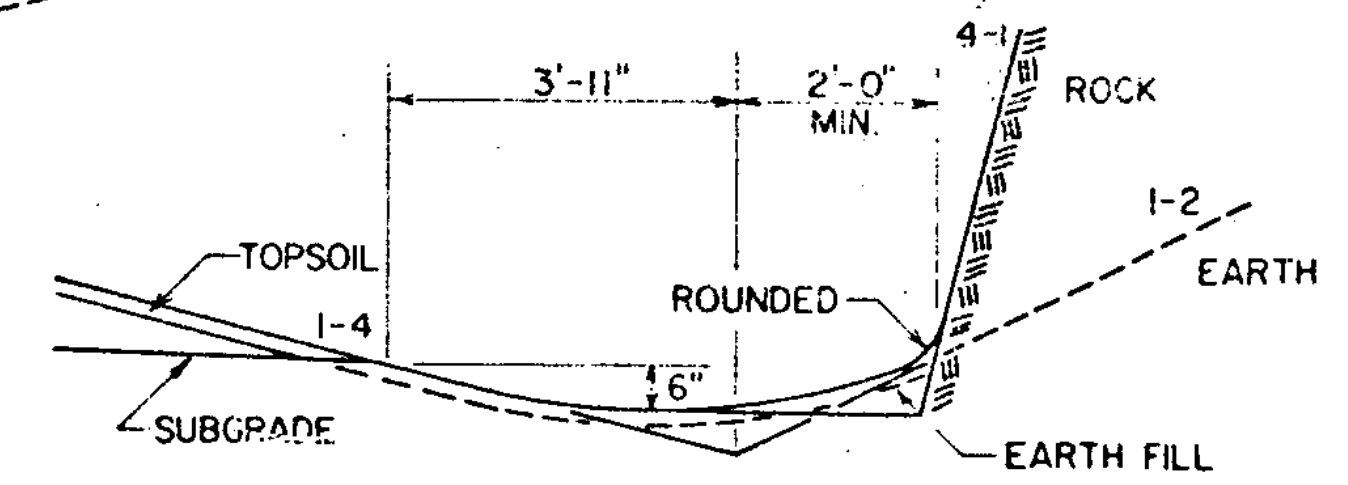
MATERIAL ITEM	THICKNESS TOLERANCE
PAVEMENT	± 1/4"
BASE COURSE	± 1/2"
SUBBASE	± 1"
GRANULAR BORROW	± 1"
SAND BORROW	± 1"



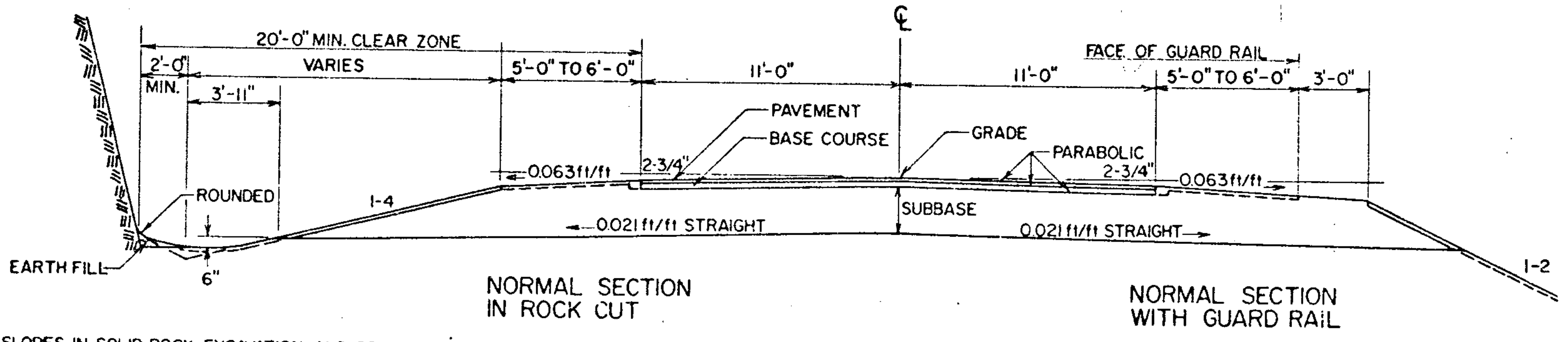
DETAIL OF GUARD RAIL ON HIGH SIDE OF BANKED SECTION



BANKED SECTION

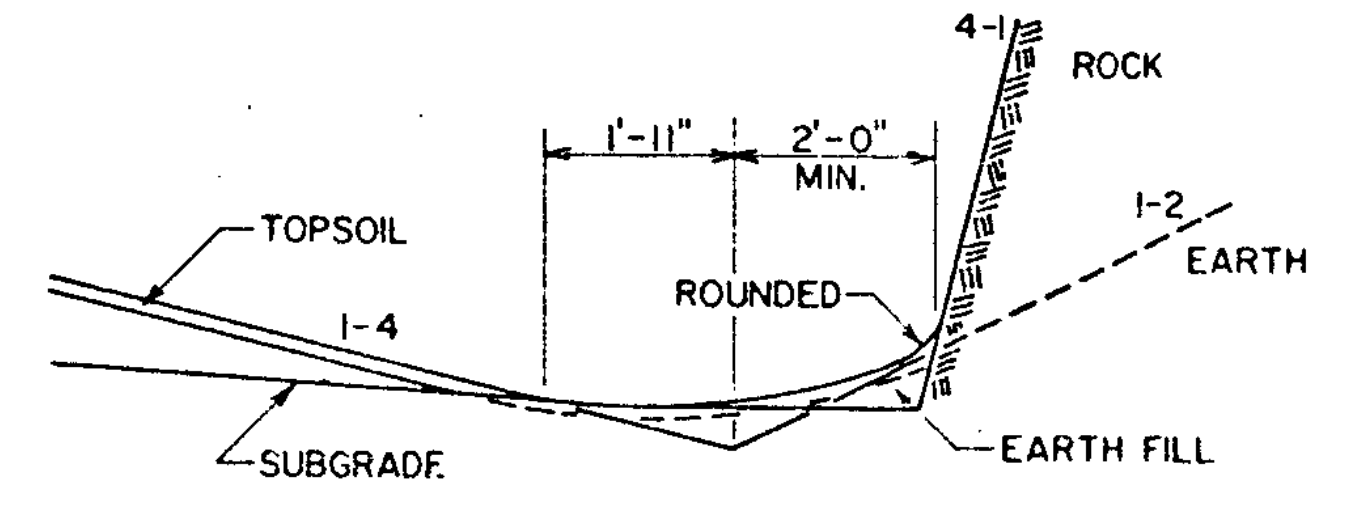


DETAILS OF DITCH AND BACKSLOPE FOR LOW SIDE OF BANK < 0.042 ft/ft



NORMAL SECTION IN ROCK CUT

NORMAL SECTION WITH GUARD RAIL



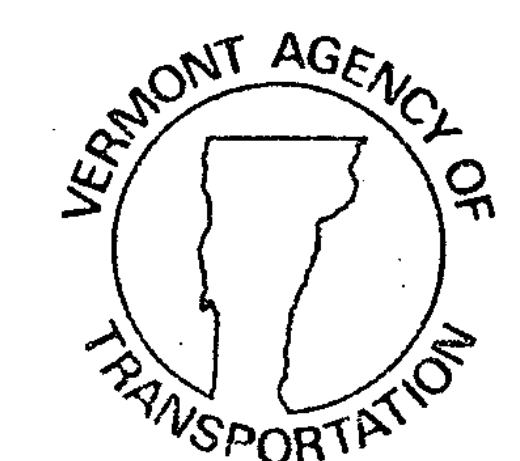
DETAILS OF DITCH AND BACKSLOPE FOR LOW SIDE OF BANK ≥ 0.042 ft/ft

FOR SLOPES IN SOLID ROCK EXCAVATION AND DRILLING AND BLASTING OF SOLID ROCK SUBGRADE, SEE STANDARD SHEET A-62.

REVISIONS AND CORRECTIONS

APPROVED
 DATE: JUNE 17, 1982
 DIRECTOR OF ENGINEERING AND CONSTRUCTION
 CHIEF OF DESIGN
 SURVEY AND PLANS ENGINEER

RURAL HIGHWAY TYPICAL SECTIONS



STANDARD
 A-24