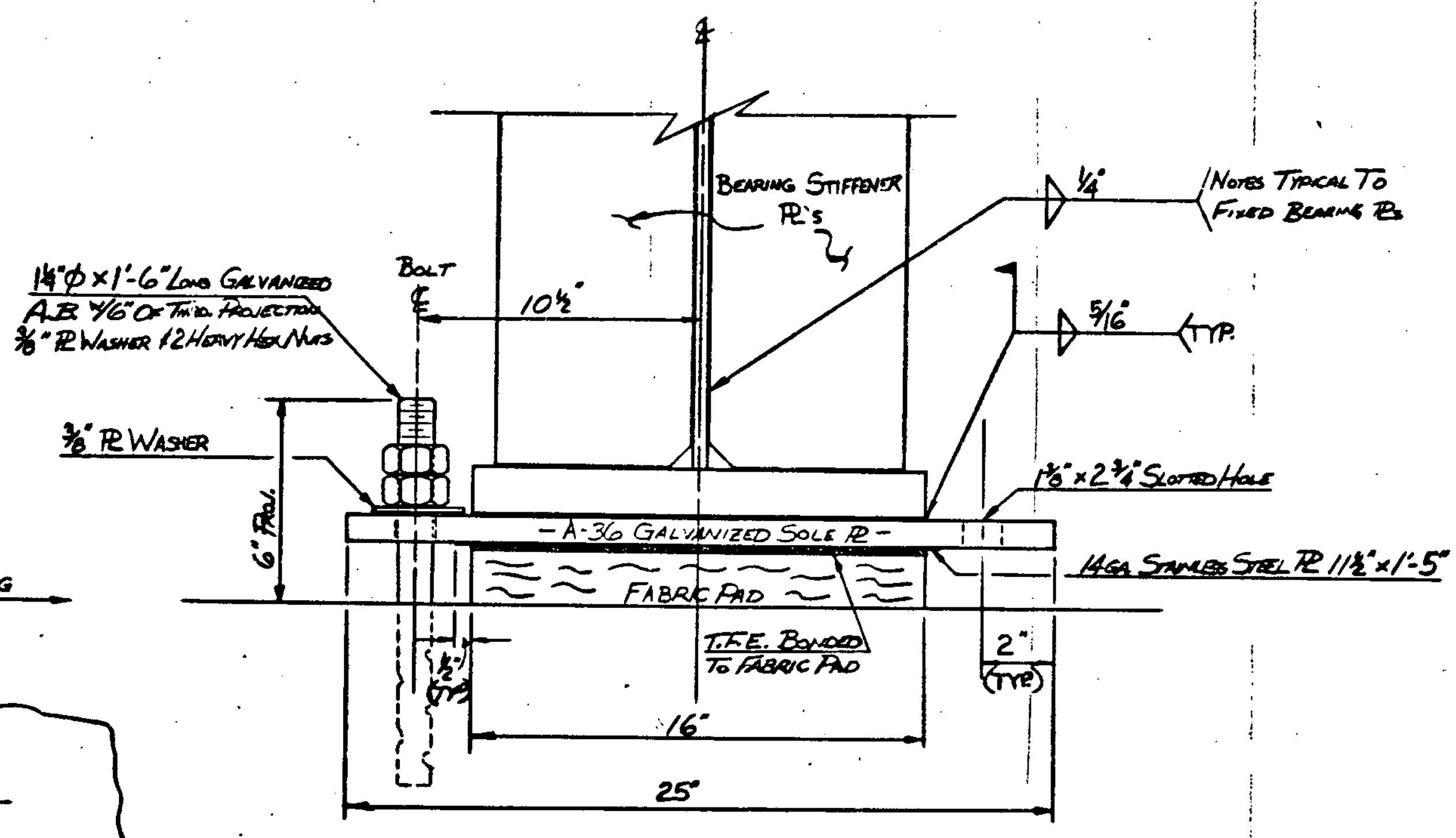
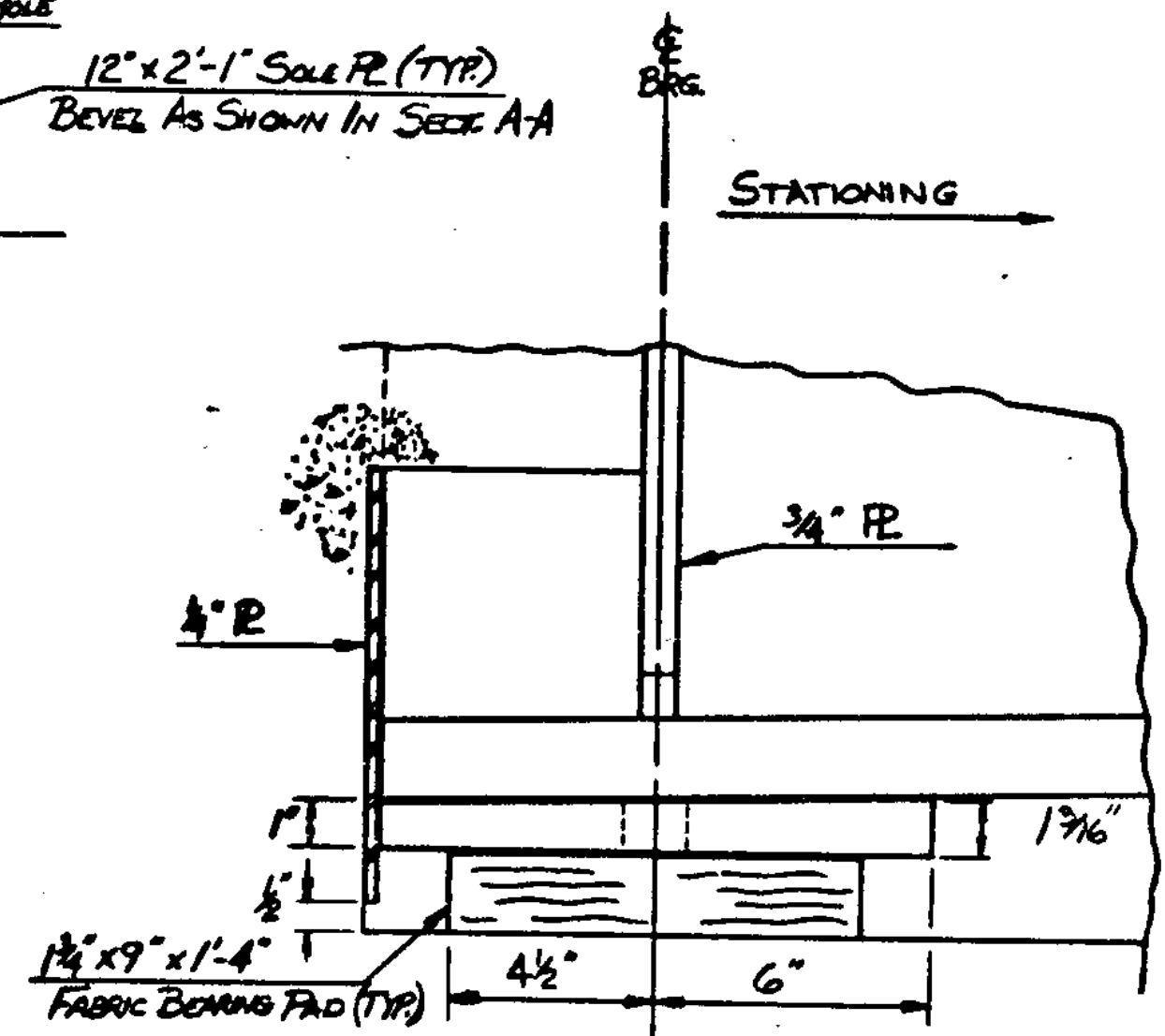


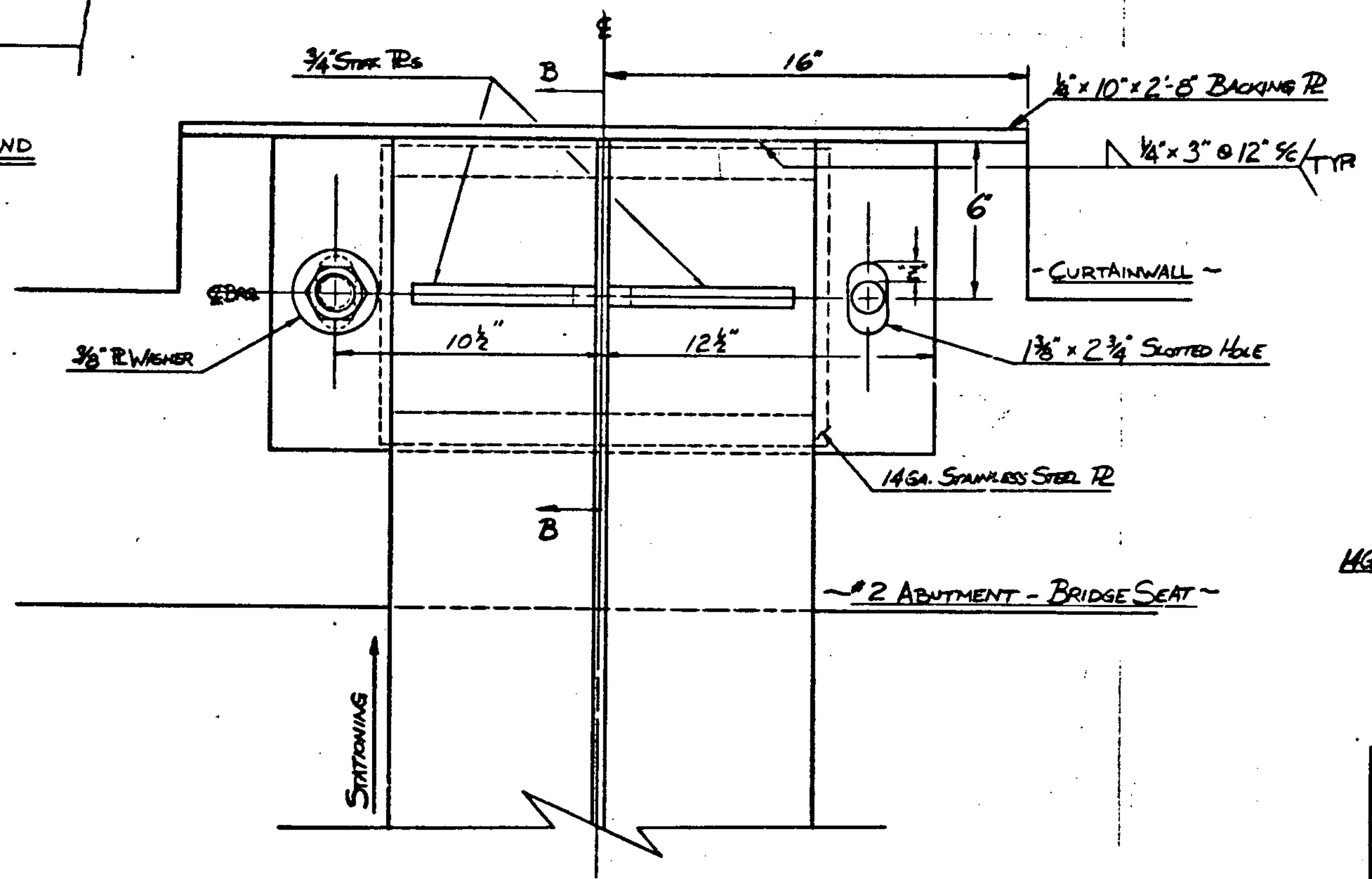
FIXED END BEARING - ELEVATION
SCALE: 3" = 1'-0"



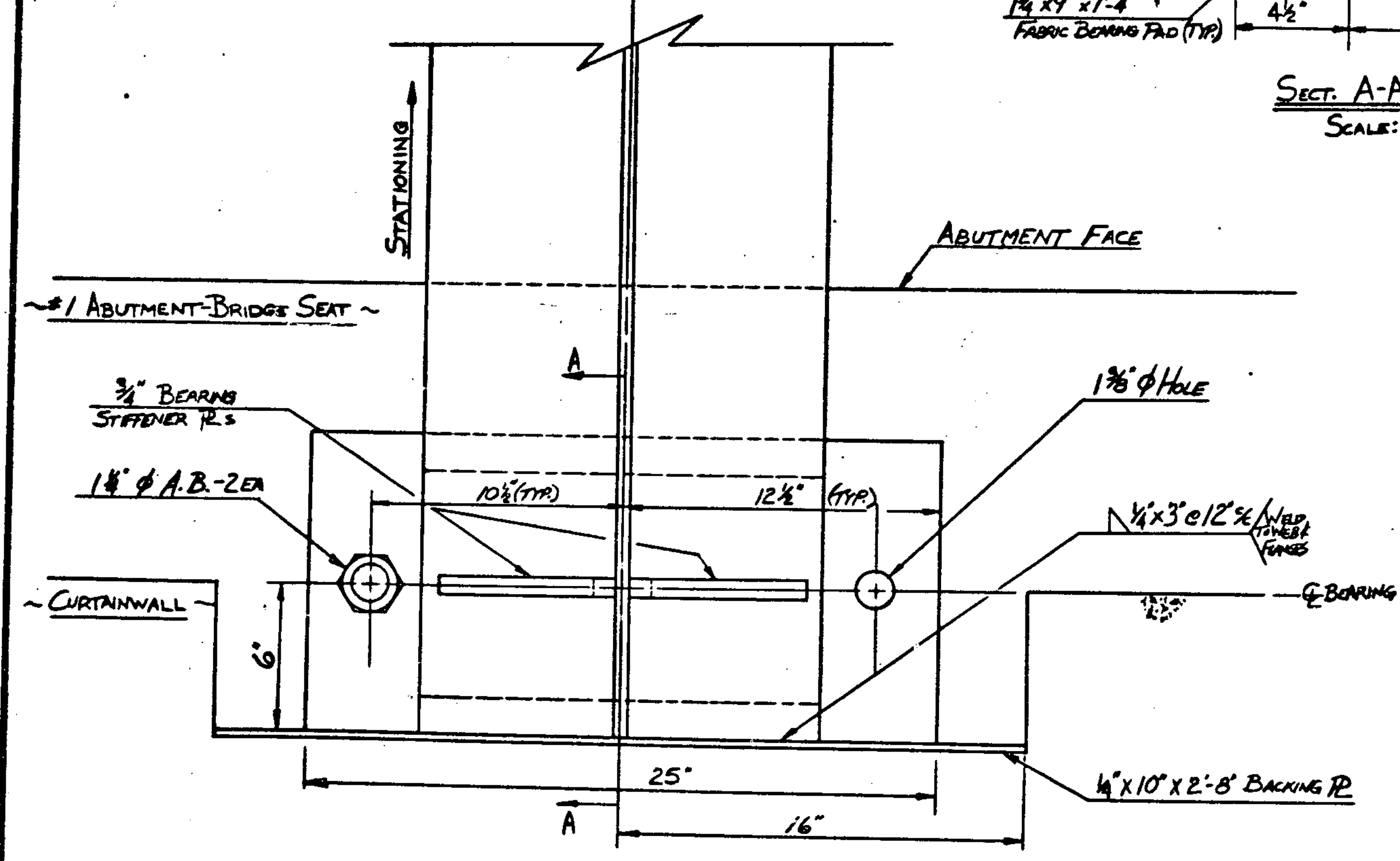
EXPANSION END BEARING - ELEVATION
SCALE: 3" = 1'-0"



SECT. A-A - FIXED END
SCALE: 3" = 1'-0"



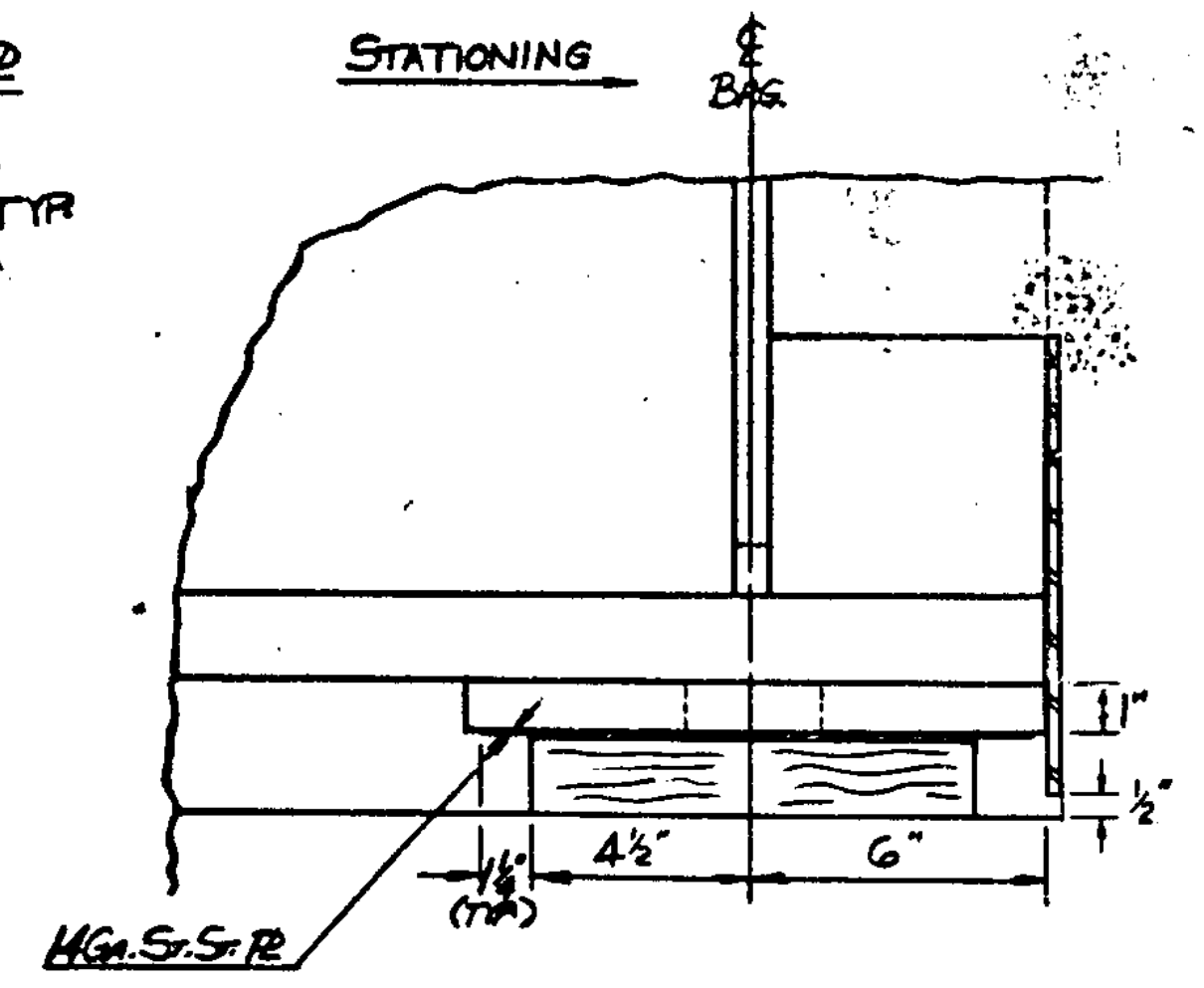
EXPANSION END BEARING - PLAN
SCALE: 3" = 1'-0"



FIXED END BEARING - PLAN
SCALE: 3" = 1'-0"

NOTE: DETAILS FOR PLATE GIRDER SHOWN. ROLLED BEAM SIMILAR.

ERECTOR TEMP. (°F)	Z _U	Z _E	Δ	Z-DISTANCE @ ERECTOR TEMP.
15	3/4"	-3/8"	-3/8"	0" (PRIOR TO DECK POUR)
30			-1/4"	1/8"
45			-1/8"	1/4"
60			0"	3/8"
75			+1/8"	1/2"
90			+1/4"	5/8"
105	3/4"	-3/8"	+3/8"	3/4"



SECT. B-B - EXPANSION END
SCALE: 3" = 1'-0"

STATE OF VERMONT
AGENCY OF TRANSPORTATION

TOWN OF HIGHGATE	Bridge No. 182
HIGHWAY NO. U.S. RTE 7	Log Sta. 225+52
U.S. RTE. 7 OVER ROCK RIVER	Surv. Sta. 225+53
BEARING DETAILS	
Designed by M.J. PLODRUD	Drawn by M.J. PLODRUD
Checked by A. ECWOOD	Bridge Design Supervisor R.S. HAUFF
date 9-83	date
PROJECT HIGHGATE	PROJECT NO. BRS-0285(1) S
Bridge Sheet No. BR 106	Sheet 19 of 64

BR-4-83