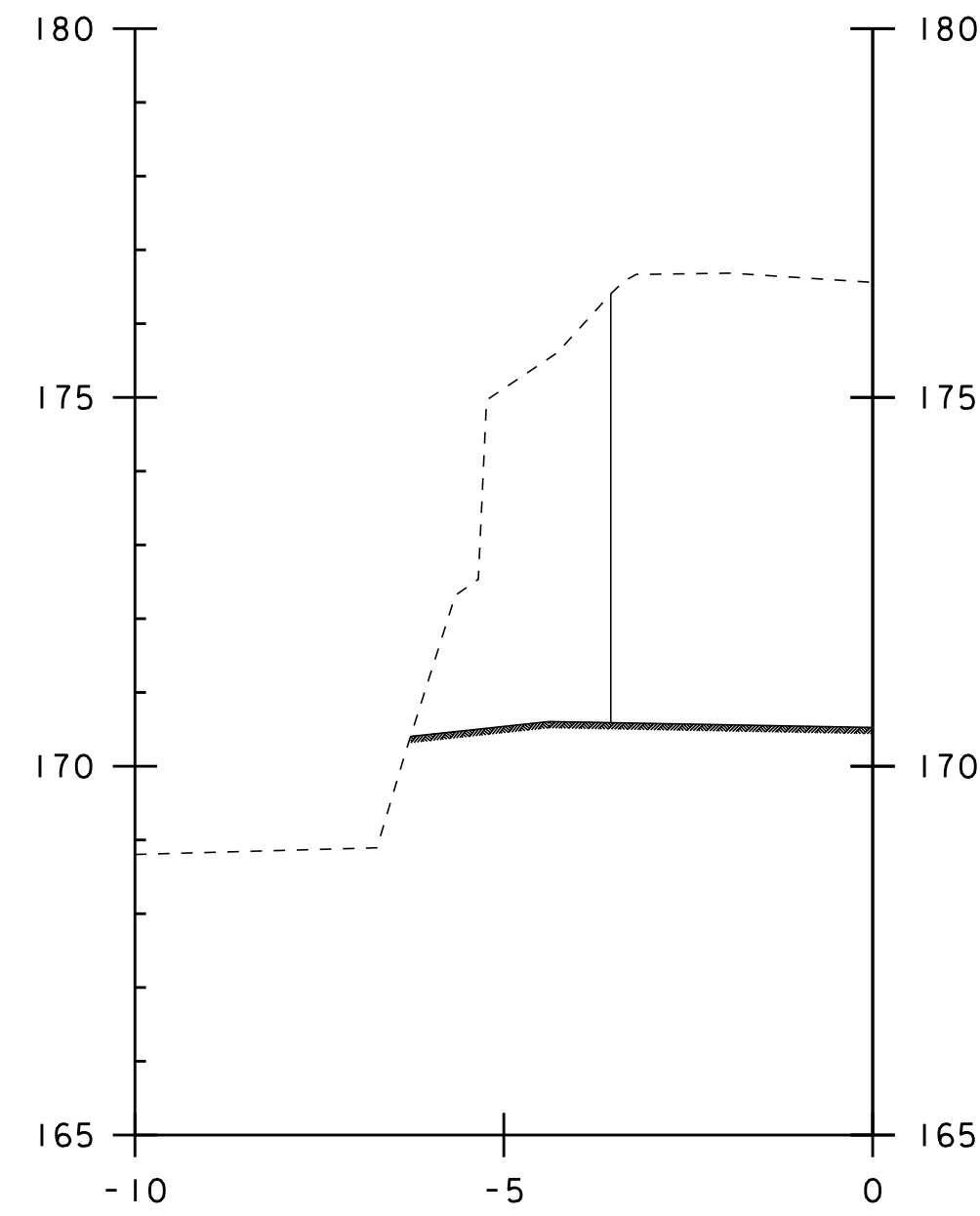
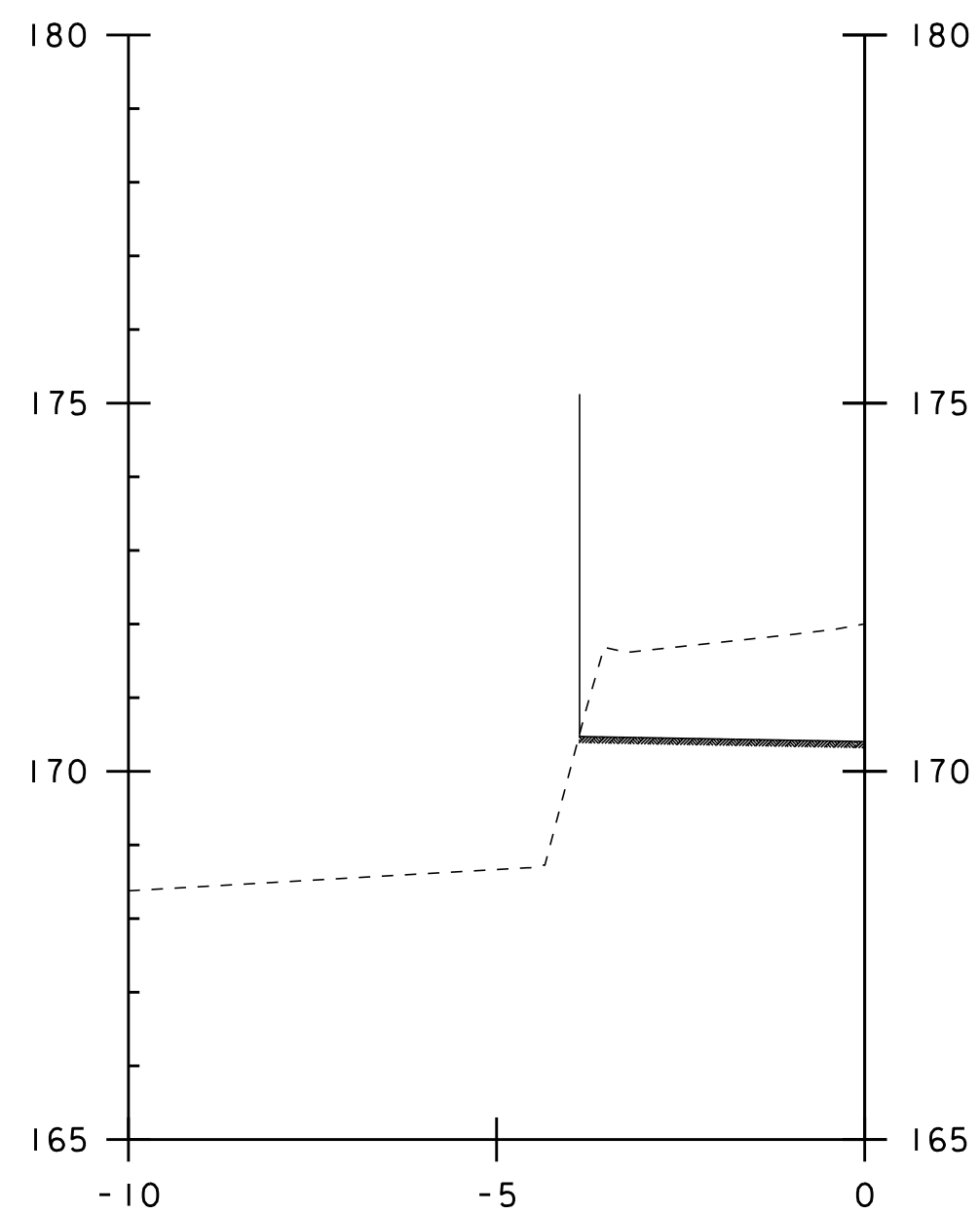


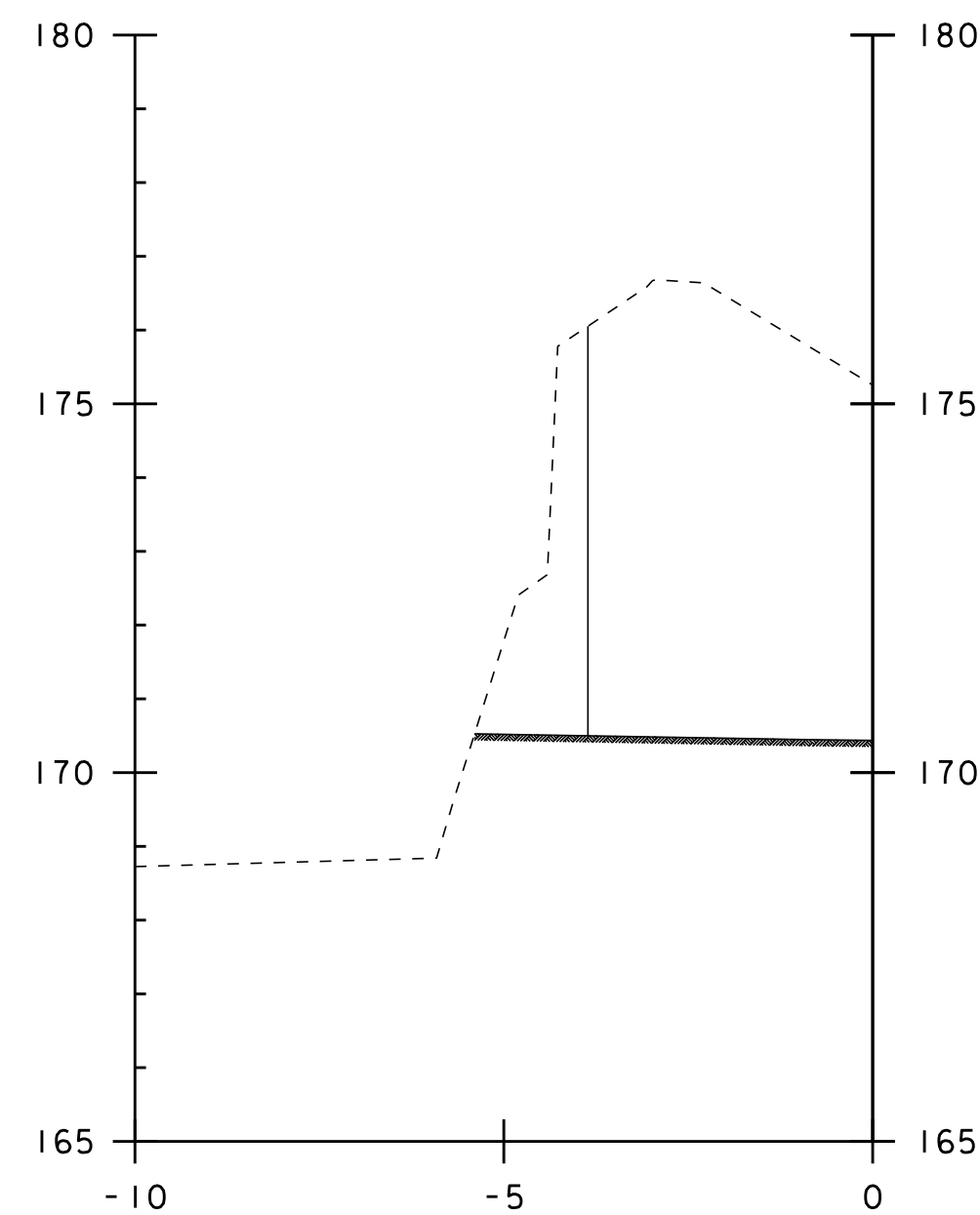
3+120.27



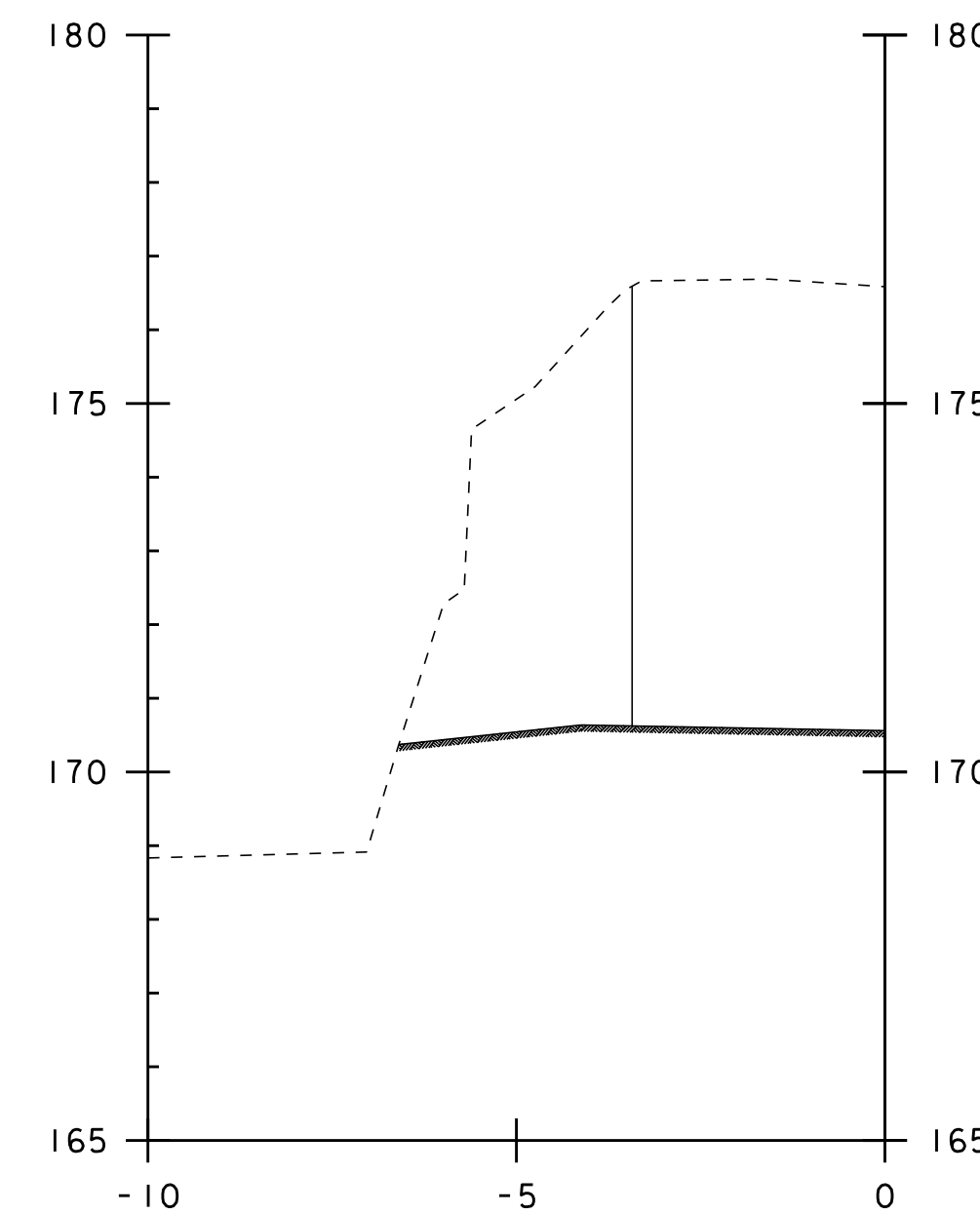
3+122.27



3+119.27



3+121.27



3+122.65

WINGWALL THREE
 STRUCTURE EXCAVATION
 UNCLASSIFIED CHANNEL EXCAVATION

