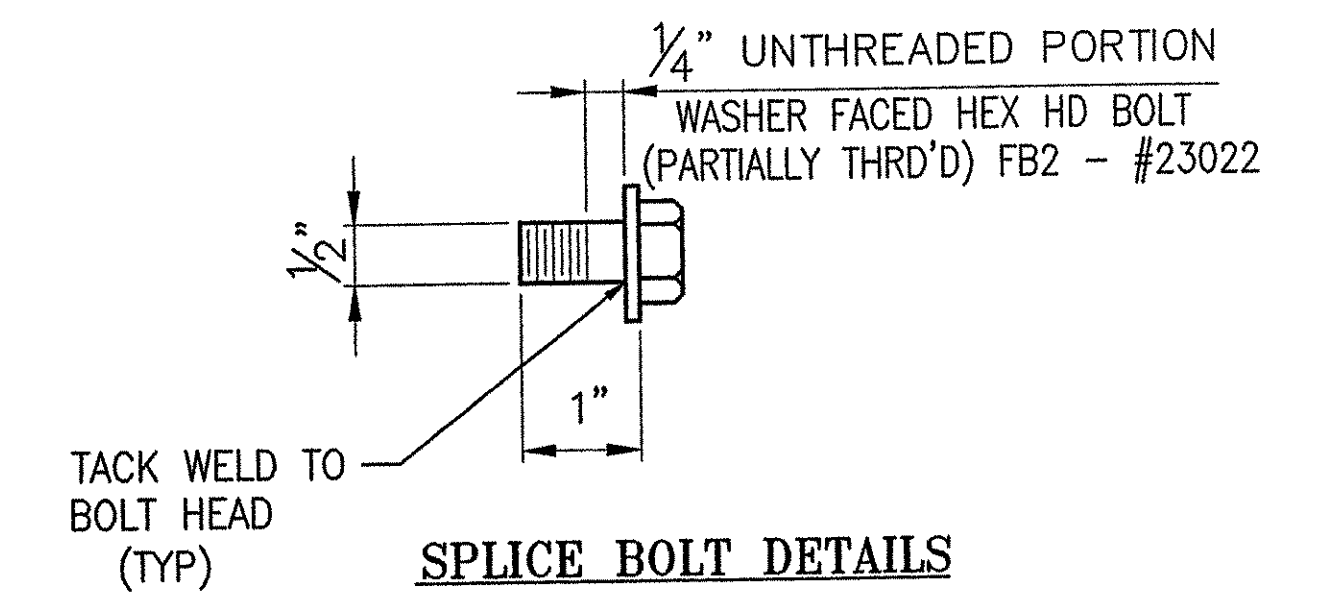
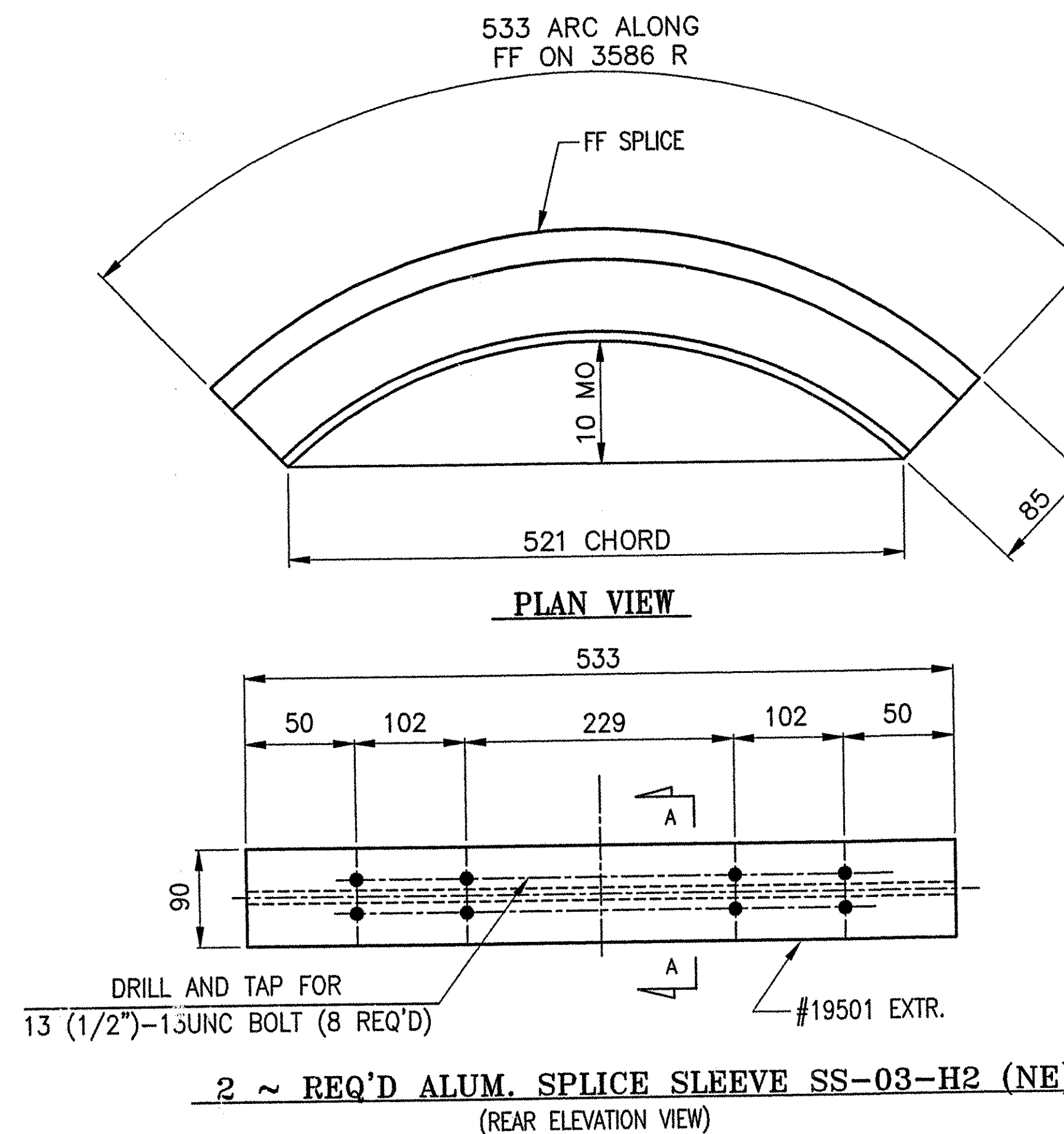
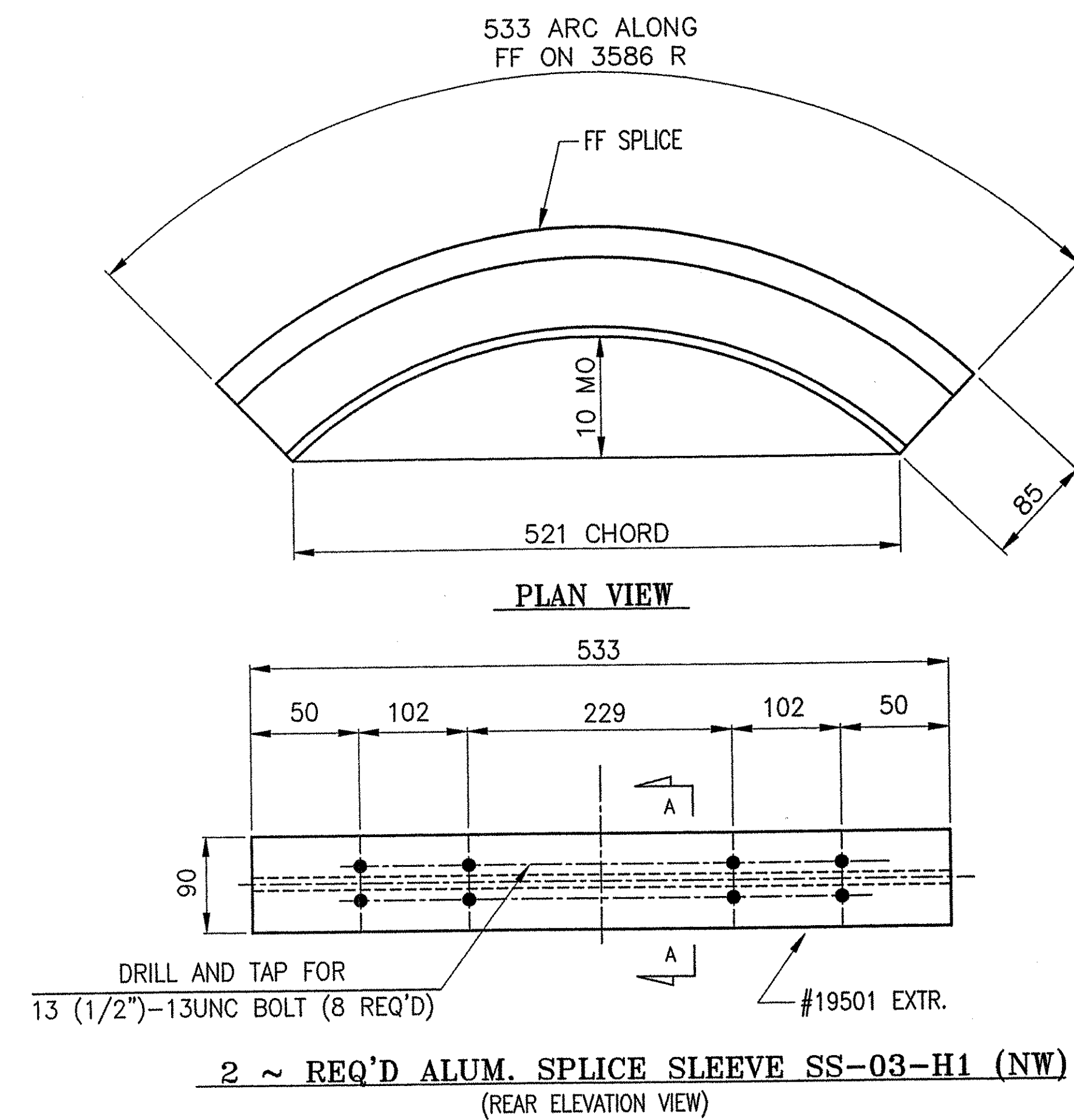


ANODIZED
(SEE LB1 FOR SPECIFICATIONS)



PROJ. No. BRS 0113 (22) ITEM No: 621.74

APPROVED: _____ REC'D APPROVAL _____
DRAWING _____

L.B. FOSTER COMPANY
1016 GREENTREE ROAD
PITTSBURGH, PENNSYLVANIA 15220

FOR: A. D. ROSSI CORPORATION
VERMONT AGENCY OF TRANSPORTATION
TOWN OF HARTLAND, COUNTY OF WINDSOR
BRIDGE #60 - US RTE 5 OVER LULLS BROOK
3L ALUMINUM APPROACH ~ SPLICE DETAILS

MADE CMS DATE 06/02/05 JOB No. ARO200 CUST. No.
CHECK Dd DATE 11/8/05 DRAWING LB15 REV. No.

RECEIVED
OK'D BY _____ OK'D BY _____
FEB 23 2006
RESUBMIT _____ APPROVED _____
BY WJ/SJ DATE 2/23/06

REV.	DESCRIPTION	BY	DATE